

Ruelco



RV-1 Low Pressure Relief Valve

Model 7500

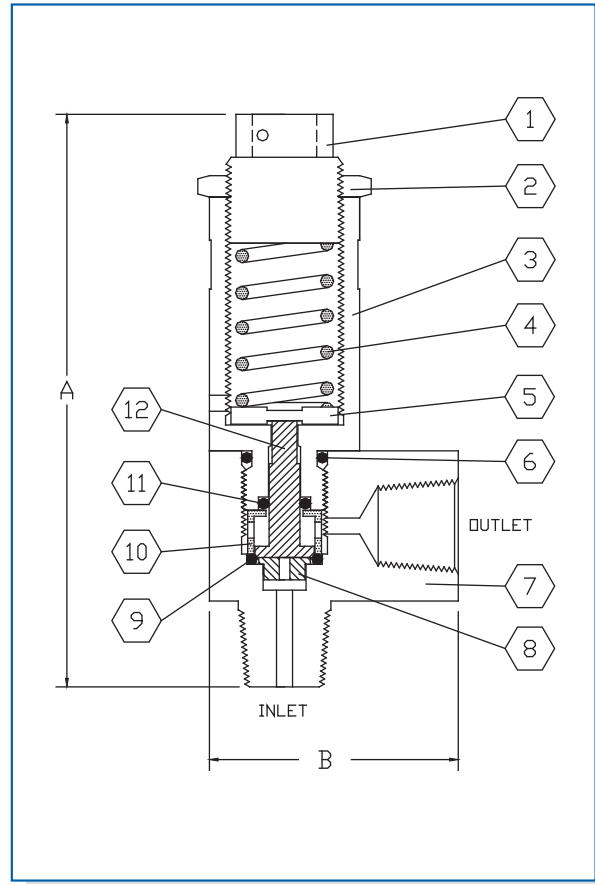
RV-I Low Pressure Relief Valve Model 7500

FEATURES

- Stainless Steel Construction
- Externally Adjustable
- Wide Adjustable Ranges using only 3 Springs
- 100 % Tested
- Compact Design

GENERAL DESCRIPTION:

The Ruelco RV-I Relief Valve is a stainless steel, soft seat relief valve capable of pressures from 50 psi. to 1,250 psi. The size of the valve makes it ideal for small spaces while the stainless steel construction allows the valve to operate in corrosive systems.



Parts List For RV-I Relief Valve

Item	Qty.	Description	Material	Part No.
1	1	SPRING CAP	316 St. Std.	75-007-000
2	1	LOCK NUT	316 St. Std.	75-008-000
3	1	SPRING HOUSING	316 St. Std.	75-002-000
4A	1	BLUE SPRING	SPRING WIRE	75-009-000
4B	-	RED SPRING	SPRING WIRE	75-010-000
4C	-	GOLD SPRING	SPRING WIRE	75-011-000
5	1	SPRING PLATE	316 St. Std.	75-006-000
6*	1	BODY SEAL	NITRILE	N0-012-70H
7	1	RELIEF VALVE BODY	316 St. Std.	75-001-000
8	1	SEAL GUIDE	316 St. Std.	75-021-000
9*	1	HEAD SEAL	VITON	V0-011-70H
10	1	OUTER SLEEVE	316 St. Std.	75-022-000
11*	1	PISTON SEAL	NITRILE	N0-4X2-70H
12	1	PISTON	17-4 PH St. Std.	75-020-000
13	-	STANDARD REPAIR KIT	-	75-023-000
14	-	REPAIR KIT W/ BLUE SPRING	-	75-024-000
15	-	REPAIR KIT W/ RED SPRING	-	75-025-000
16	-	REPAIR KIT W/ GOLD SPRING	-	75-026-000

Specifications P.S.I. (BAR)

Valve Body Max. W.P.	10,000 (640)
Ambient Temperature Range	-20° To 250° F -20° To 122° C

Dimensions Inch (MM)

"A"	3.50 (88.9)
"B"	1.50 (38.1)
Port Size	1/4" NPT
Weight	.5 lbs (.24 Kg)

Ordering Code: 7500 X I X 0 0 X

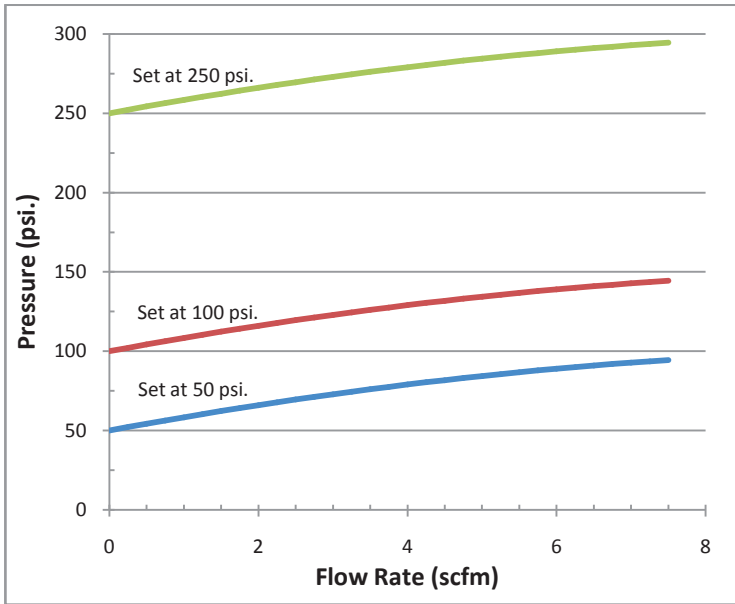
BASE MODEL NUMBER

Standard Corrosive Service - (-)
N.A.C.E. Option - N

O - Male Inlet
F - Female Inlet

B - Blue Spring (50 - 350 psi.)
R - Red Spring (250 - 750 psi.)
G - Gold Spring (500 - 1,250 psi.)

Air Flow Data at 72° F



Water Flow Data at 72° F

