

NUCLEAR QUALIFIED

- Double Pole Double Throw (DPDT)
- Cam Type SNAP-LOCK Technology
- Qualified to IEEE Standards 344-1975, 323-1974 and 382-1972
- Manufactured to a quality assurance program designed to meet the requirements of 10CFR50, Appendix B and ANSI N45.2, as applicable
- Diecast bronze housing for corrosion resistance
- Stainless steel top cover and fasteners
- Gold plated contacts to minimize resistance and ensure years of reliable service
- High temperature components and lubricants
- Seismic and vibration resistant
- Resists chemical spray
- Available in three mount styles (Standard, Long, Wide)



Technical Data

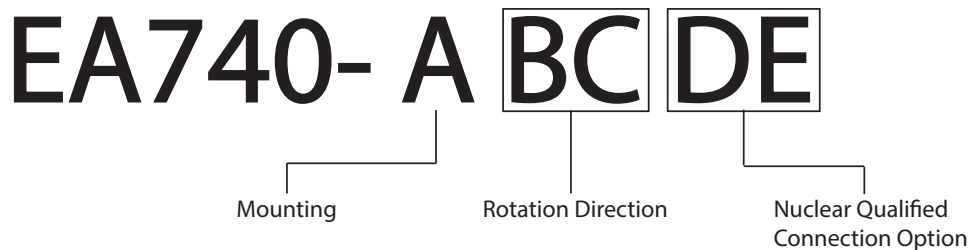
- Two normally open and two normally closed, NEMA form "Z" contact arrangement
- Enclosure meets NEMA 1, 4 and 13 requirements for dust-tight, water-tight and oil-tight applications
- Operating lever is adjustable in 7°30' increments through 360°
- Adequate wiring space for nine conductors
- Operating Temperature: 21° to 90°C; Short term exposure to 175°C
- Pre-Travel: 18°; Maximum Travel: 90°
- Weight: 4.3lbs.; 5.3lbs with receptacle
- DBE Maximum Test Parameters
 - Temperature: 340°F
 - Pressure: 70 PSIG
 - Radiation: 204 megarads gamma

Continuous Current Rating

120 VAC	20 AMPS*
250 VAC	15 AMPS*
480 VAC	10 AMPS*
600 VAC	5 AMPS*
125 VDC	5 AMPS
250 VDC	1.5 AMPS

*75-100% Power Factor

Ordering Information



A: Mounting

BC: Rotation Direction

DE: Nuclear Qualified Connection Option

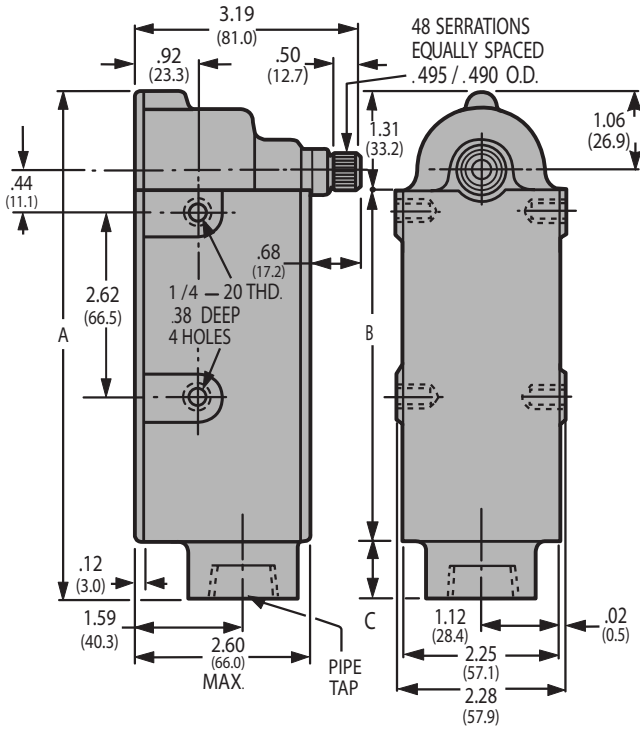
- 2 - Standard Mount
- 5 - Wide Mount
- 8 - Long Mount

- 00 - Clockwise or Counterclockwise
- 01 - Clockwise and Counterclockwise
- 60 - Maintained Contact & Lever Position
- 67 - Maintained Contact, Lever Returned

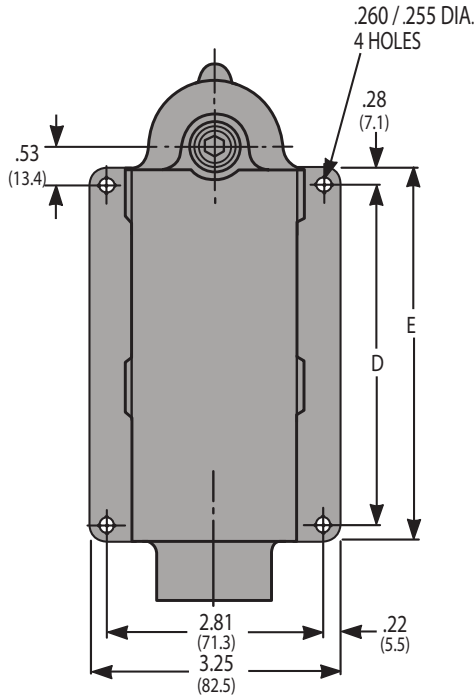
- 00 - Open Conduit Entrance Clockwise or Maintained
- 01 - Open Conduit Entrance for Counterclockwise
- 40 - 9-Pin QDC Clockwise or Maintained
- 41 - 9-Pin QDC for Counterclockwise
- 50 - 4-Pin QDC 1NO/1NC Clockwise or Maintained
- 51 - 4-Pin QDC 1NO/1NC Counterclockwise
- 52 - 4-Pin QDC 2NO Clockwise or Maintained
- 53 - 4-Pin QDC 2NO Counterclockwise
- 54 - 4-Pin QDC 2NC Clockwise or Maintained
- 55 - 4-Pin QDC 2NC for Counterclockwise

Outline Drawings

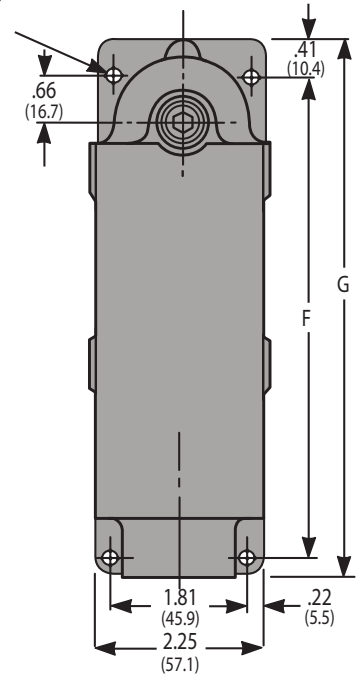
Standard Mounting



Wide Mounting



Long Mounting



CONTACT SEQUENCE	STANDARD SWITCH				MOUNTING STYLE			
	PIPE TAP SIZE	A	B	C	WIDE		LONG	
					D	E	F	G
2 N.O. - 2 N.C.	1-11 1/2 NPT	7.06	4.94	0.81	4.38	4.94	6.41	7.06

Quick Disconnect Mounting

