

EHD IMAGING GMBH

SWIR-Camera

1/5" 128x128 Pixel uncooled InGaAs Camera USB0.0

EHD-0016SWIR

EHD imaging GmbH
Zum Rennplatz 15
D-49401 Damme

Phone: +49-5491-2090
Fax: +49-5491-2098

e-mail: info@ehdimaging.de

www.ehd.de



SWIR lens optional

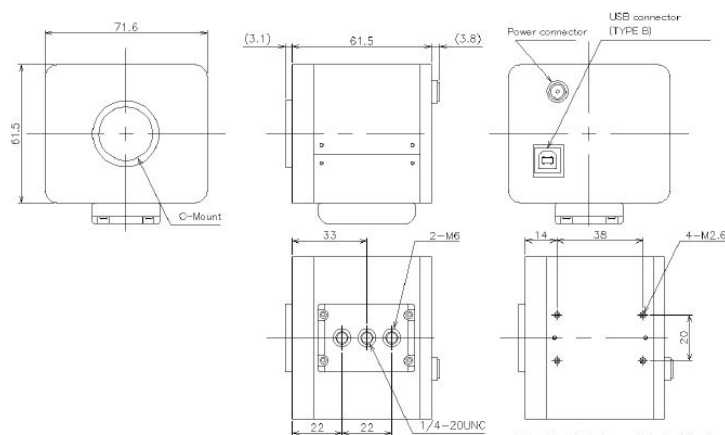
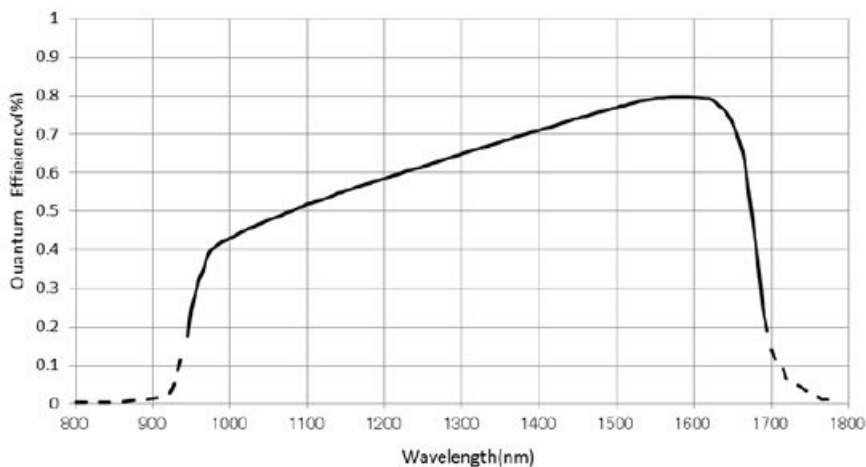
Key Features:

- 1/5" InGaAs
- 128x128 Pixel
- 950nm -1700nm
- 20µm Pixel
- 258fps
- USB2.0
- Trigger input
- Software SDK
- Application-Software

Optional

- Longpass Filter

RG1000
RG850
RG830



Drawing of the base without a tripod panel

Specifications: EHD-0016SWIR

Image Sensor	1/5" InGaAs Sensor
Resolution	128 x 128
Pixel Size (H x V) μm	20 x 20
Active Sensor Size (H x V) mm	2.56 x 2.56 mm
Sensitivity	0.8 A/W
Shutter Mode	Global Shutter
Saturation Charge	1000 ke-
Exposure Control	1 μs ~ 13s
A/D Resolution	14bit
Frame Rate	258fps
External Trigger Input	BNC
Lens Mount	C-Mount
Operation Temperatur	0°C ~ 35°C
Power Source	USB2.0 powered
Power Consumption	1W
Dimensions (WxHxD) mm	71.5 x 61.5 x 61.5
Weight (without lens)	260g