

TQ8000 8 CHANNEL CONTROL UNIT

FEATURES

- Easy to install with Low cost of ownership
- Reliability with minimum maintenance and simple calibration.
- Field configurable on all parameters and password protected.
- Monitors a wide range of gases with both 4-20 mA and 3 wire catalytic sensors.
- 24v DC, and volt free alarm relays, with 4-20 mA and MODBUS outputs for remote indication and alarm generation.



The standard **TQ8000** is an 8 channel stand-alone control unit, which can be expanded up to 48 channels for larger installations. Capable of monitoring inputs from a wide variety of Gas Detectors and many other 4-20mA output devices, such as temperature and pressure.

The **TQ8000** provides 15 configurable relays which can be utilised as 'volt free' or 24V DC, to operate remote devices. Also included are individual 4-20mA outputs for interfacing to programmable logic controllers, PC's and building management systems. Expansion relay cards can also be fitted to provide individual channel alarm contacts on larger systems.

In addition to the alarm relay contacts the **TQ8000** system can also provide MODBUS outputs for integration into 3rd party remote monitoring systems or remote displays.

The TQ8000 is housed in an IP54 rated metal, wall mounted enclosure, with entry for field cabling through the bottom gland plate.

The alarm and fault status of each channel is displayed on the front panel.

Each channel has 2 user defined alarm thresholds, which operate the front panel LED's and the internal sounder.

Operator interface controls are available internally for the adjustment of alarm set points, channel inhibit, relays, and calibration span and zero. These controls are customer configurable and password protected.

All units are supplied with a comprehensive manual detailing installation, maintenance and easy to follow operating instructions.

Can be provided with separate or inbuilt battery back up.

TQ Environmental Limited, operate a policy of continual product development which means the specification is subject to change without prior notice. For full assistance with your application contact TQ Environmental.

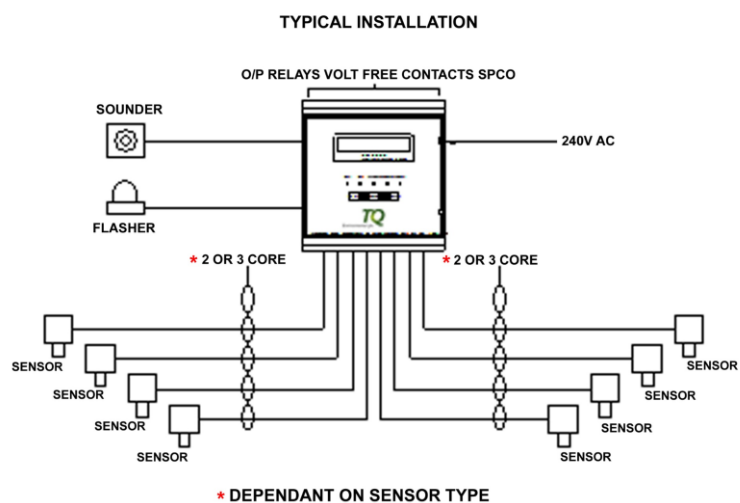


Cert No. LRQ 0958602

D3-8000-0315

SPECIFICATION				
Dimensions	8 Channel	Height	Width	Depth
	16 Channel	340 mm	326 mm	160 mm
	24 Channel	600 mm	600 mm	210 mm
	32 Channel	600 mm	600 mm	210 mm
Rating	IP54			
Power Input	Universal; 85 to 254 Volts ac 50/60Hz (24V dc on request) @ 100VA			
Cable Entry	Bottom gland plate as standard			
Calibration	Fixed password protected Adjustable Zero, Span, AL1 & AL2			
Display and indications	4 x 40 character alphanumeric, back lit LCD Power on, Gas Alarm 1 & 2, Fault Alarm and Inhibit			
Alarms	Alarm 1 and Alarm 2; Adjustable between 0% & 100% of FSD.			
Relays	Output via configurable relays RL2 to RL16. RL1 dedicated Fault. SPCO rated, 24 vdc/280V ac @ 12A resistive			
Inhibit	Evoked on individual channel outputs when in calibration and channel selectable. Operates 'Inhibit LED' and 'Fault' relay			
Front Panel Control	'Reset', 'Hold', & 'Mute'			
Internal Panel Control	Channel advance and Menu operation.			
Additional outputs	MODBUS enabled for remote monitoring via full control mimic panel or 3 rd party monitoring.			
Internal Audible	Gas/Fault 80dB			

PART LIST	
8 Channel, with 16 relay alarm card	370-600-08
16 Channel, with 16 relay alarm card	370-600-16
24 Channel, with 16 relay alarm card	370-600-24
32 Channel, with 16 relay alarm card	370-600-32
Please consult TQ Environmental for other options including, battery backup, additional relays, printers and remote display panels.	



CHOICE OF SENSORS INCLUDE TQ122, GD129, GD131, GD231 & GD233

TQ Environmental Limited
 Flanshaw Way • Wakefield • West Yorkshire • WF2 9LP
 Tel: +44 (0)1924 380700 Fax: +44 (0)1924 361700
 Email: sales@tqenv.com Web: www.tqenv.com

