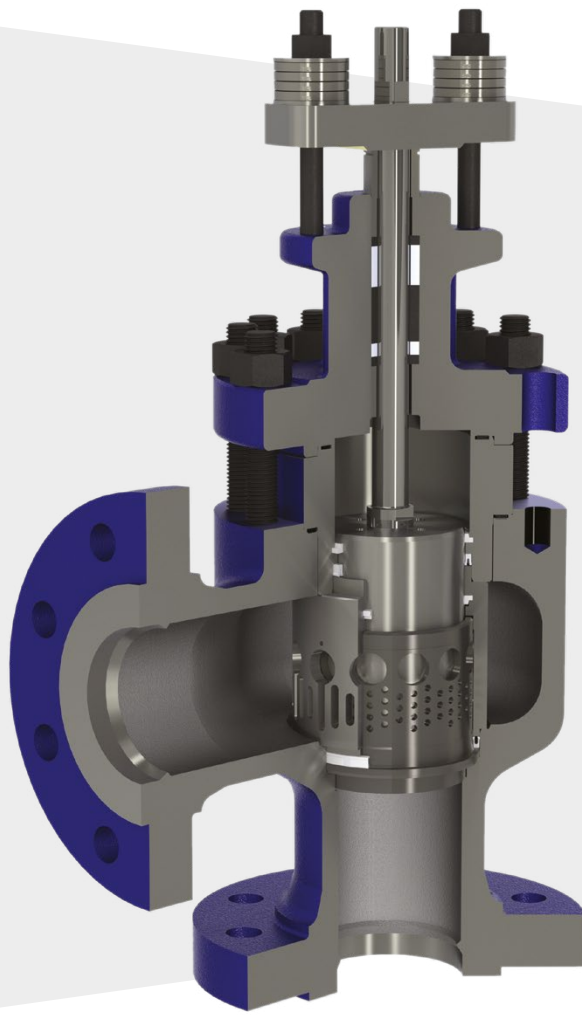



860HPC




*Engineering
GREAT Solutions*

**Critical service choke
valve solution**

860HPC choke valve

The 860HPC is an erosion resistant, control valve ideally suited for use in critical service choke applications. It is designed to address durability, safety and performance into a robust and proven solution.

Key features & benefits

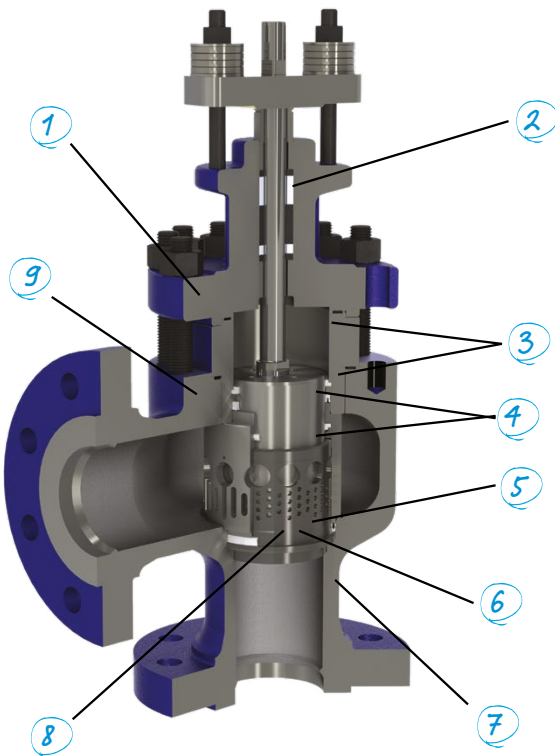
Designed for applications with up to 200 bar pressure differential, wear resistance is optimised with tungsten carbide inner cage and plug. Higher flexibility can be obtained by two different trim sets available to match a high range of operating conditions. A drilled hole cage with reduced Cv is available for start up and for initial life conditions. To accommodate large flow rates and lower pressure drops encountered during end of life conditions, a slotted cage with increased capacity is used.

Critical service choke applications usually encounter issues such as high noise, improper velocity control, incompatibility in multi-phase flow streams and corrosion. The 860HPC is designed to address these concerns.

- > Available with different sets of materials, suitable for different grades of chemical corrosion
- > Optimised drilled hole pattern for low noise performance
- > Singleton sizing for multiphase flow stream Cv calculation
- > Optimised flow paths for velocity control



Product breakdown



	Feature	Benefit
1	Bolted bonnet design	Reliable tight sealing and retention of the trim
2	External Packing	Inspection and adjustment without removing the actuator
3	Gasketed body to bonnet	Reliable sealing for temperature extremes
4	Balance seal wiper rings	Protects the balancing seal from abrasion
5	Integral seat and cage	Fewer parts to manage
6	Tungsten Carbide plug, seat and cage	Minimise wear from sand carryover
7	Valve outlet liner	Prevents body erosion
8	Noise attenuating, balanced trim	Linear or Modified Equal Percentage
9	Quick change trim	No threaded body parts, no special tooling

Technical specification

Pressure rating

ANSI 600, 1500, 2500
API 5000

End connections

RTJ or Hub

Body / bonnet / bonnet spacer

A216-WCB / A105 standard
Application specific options available

Bolting

A193-B7M / A194-GR 2HM standard
Application specific options available

Temperature range

-46 °C to 176 °C (-50°F to 350°F)

Quality specification

ASME B16.34, API PSL1, PSL2, PSL3, API
PR1, PR2

Sizing method

Single phase per ISA S75.01, multiphase
per E. W. Singleton

Trim type / characteristic

Cage choke / linear or modified equal
percentage

Flow direction / shut-off

Flow-to-close / Class IV or V shut-off

Body type

Angle casting

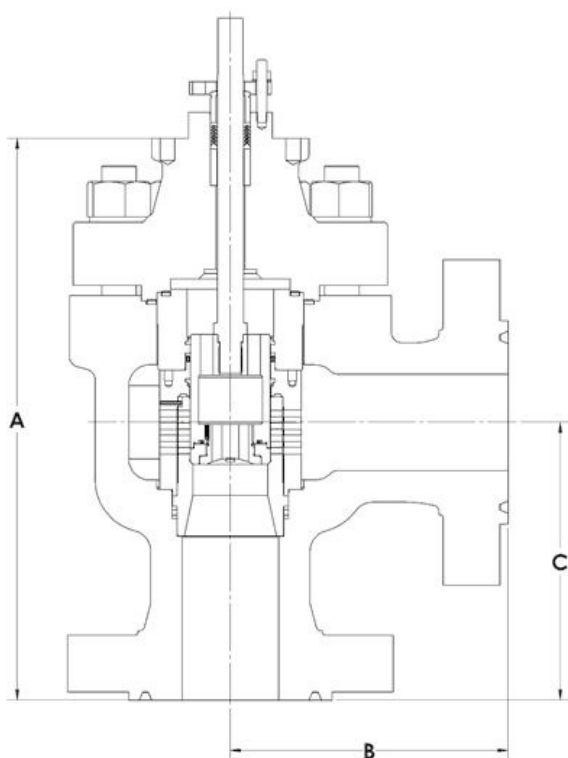
Actuators - IMI CCI

Diaphragm, pneumatic piston, or manual
override

Actuators

Electric, hydraulic modulating, pneumatic /
hydraulic stepper motors

Product dimensions



	Body Size (in)	A (mm)	B (mm)	C (mm)
1500#	2	433	200	200
	3	481	230	230
	4	536	265	265
	6	791	384	384
	8	839	438.2	425.5
2500#	3	680	300	300
	4	762	370	370
	6	871	442	442
	8	970	550	550

Dimensions and Cv

ASME valve size	2 x 2 1500 3 x 3 2500	3 x 3 1500 4 x 4 2500	3 x 3 1500 4 x 4 2500	3 x 3 600 4 x 4 1500	4 x 4 600 6 x 6 2500	6 x 6 1500 8 x 8 2500	6 x 6 600 8 x 8 1500
API valve size	2-1/16 5K	3-1/8 5K	3-1/8 5K	4-1/16 5K	5-1/8 5K	7-1/16 5K	7-1/16 5K
Plug Size	1	1.75	2.5	3.25	4	5	6
Stroke	20mm	30mm	40mm	50mm	60mm	70mm	80mm
Cv, ported cage	11 - 15	38 - 52	81 - 108	130 - 174	196 - 262	318 - 424	459 - 612

Americas

imiccisales.americas@imi-critical.com

IMI CCI Brazil

Sao Paulo
Brasil

Tel: +55 11 2691 3361

IMI CCI Houston

Texas
USA

Tel: +1 832 467 7200

IMI CCI RSM

California
USA

Tel: +1 949 858 1877

Asia-Pacific

imiccisales.apac@imi-critical.com

IMI Critical Australia

Melbourne
Australia

Tel: +61 3 9213 0800

IMI Critical Japan

Kobe
Japan

Tel: +81 78 322 1220

IMI Critical Korea

Paju-si
Korea

Tel: +82 31 980 9800

IMI Critical Malaysia

Kuala Lumpur
Malaysia

Tel: +60 3 6412 3500

IMI Critical Singapore

Singapore

Tel: +65 6653 7000

IMI Critical Engineering

Lakeside, Solihull Parkway
Birmingham Business Park
Birmingham B37 7XZ
United Kingdom

Tel: +44 (0)121 717 3700

Fax: +44 (0)121 717 3701

www.imi-critical.com

Greater China

imiccisales.china@imi-critical.com

IMI Critical Greater China

Shanghai
PR China

Tel: +86 21 3973 8000

Europe

imiccisales.europe@imi-critical.com

IMI CCI Austria

Wien
Austria

Tel: +43 1 869 27 40

IMI CCI Brno

Brno
Czech Republic

Tel: +420 511 188 288

IMI CCI Italy

Milano
Italy

Tel: +39 02 4345 8611

IMI CCI Sweden

Säffle
Sweden

Tel: +46 533 689 600

IMI CCI Switzerland

Balterswil
Switzerland

Tel: +41 52 264 9500

IMI CCI United Kingdom

Manchester
UK

Tel: +44 (0)161 655 1680

India

imiccisales.india@imi-critical.com

IMI CCI Bangalore

Bangalore
India

Tel: +91 80 4030 3500

IMI CCI SriCity

Andhra Pradesh
India

Tel: +91 85 7639 8000

Middle East and Africa

imiccisales.mea@imi-critical.com

IMI Critical MEA

Dubai
United Arab Emirates

Tel: +971 4 807 3111

IMI CCI South Africa

Witbank
South Africa

Tel: +27 13 697 3305

Other

imicci.sales@imi-critical.com



Critical Engineering

01002.03/19en