

PTC HEATER

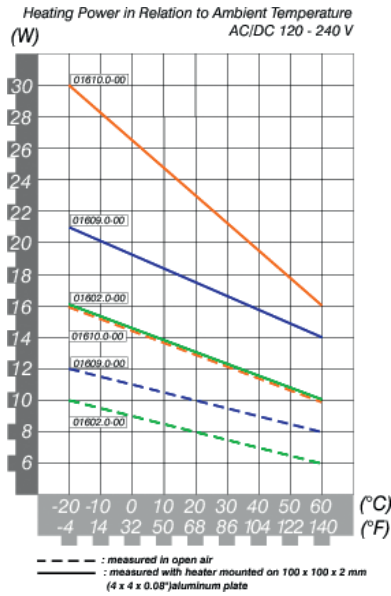
RC 016 | 8 W, 10 W, 13 W



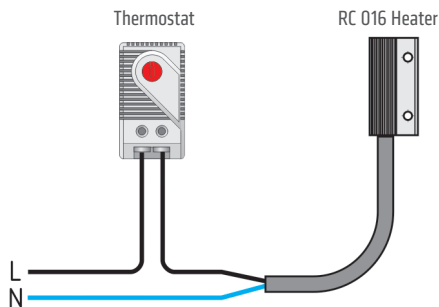
- > Compact size
- > Wide voltage range
- > Energy saving

> Heating power adjusts to ambient temperature

The RC 016 small heaters are designed to prevent condensation and to ensure a minimum operating temperature in small enclosures. They are suitable for permanent operation.

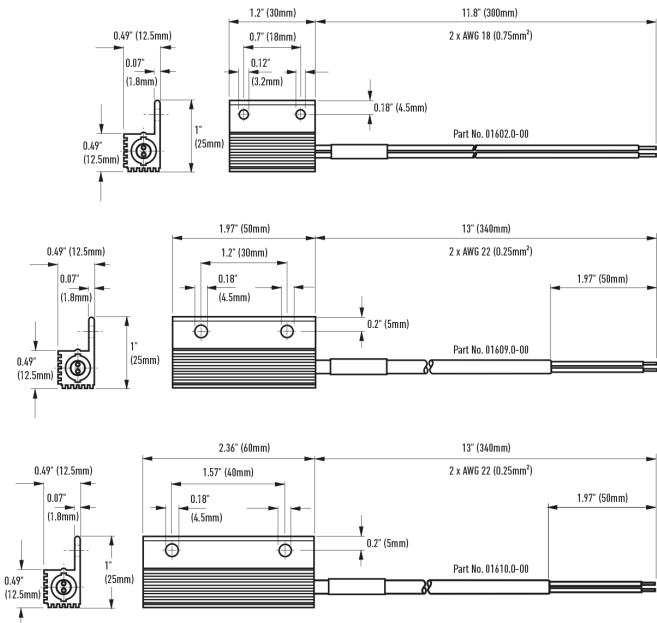


Wiring example



TECHNICAL DATA

Operating voltage	see table below
Heating element	PTC resistor, temperature limiting
Heater body	aluminum, anodized
Insulation	PTFE / Kapton
Mounting	screw (mounting screws not included)
Mounting position	variable
Operating / Storage temperature	-49 to +158 °F (-45 to +70 °C)
Operating / Storage humidity	max. 90 % RH (non-condensing)
Protection class / Protection type	II (double insulated) / IP54



Part No.	Heating capacity ¹	Operating voltage ²	Max. current (inrush)	Recommended pre-fuse T (time-delay)	Surface temperature (approx.) ¹	Weight (approx.)	Approvals		
01602-0-00	8 W	AC/DC 120 - 240 V	2.0 A	2.0 A	302 °F (150 °C)	0.7 oz. (20 g)	UL File No. E234324	VDE	EAC
01609-0-00	10 W	AC/DC 120 - 240 V	2.5 A	4.0 A	311 °F (155 °C)	1.0 oz. (28 g)	UL File No. E234324	VDE	EAC
01610-0-00	13 W	AC/DC 120 - 240 V	3.0 A	4.0 A	338 °F (170 °C)	1.2 oz. (34 g)	UL File No. E234324	VDE	EAC

¹ at 68°F (20°C) ambient temperature; ² operating high voltage heaters below AC/DC 140 V reduces heating performance by approx. 10% (min. 110 V, max 265 V)