

MYERS® ME3 SERIES

The Myers ME3 series submersible effluent pumps are constructed of the most durable combination of materials to withstand the harshest environments. The ME3 is available with a recessed impeller for high-head applications or an enclosed impeller for high-flow installations. Available in tethered automatic piggyback models or manual models for use with external controls.



APPLICATIONS

Effluent removal, sump drainage, water transfer, flood control

SPECIFICATIONS

Capacities – ME3H: 36 GPM (136 LPM); ME3F: 66 GPM (249 LPM)
Shut-off Head – ME3H: 35' (10.7 m); ME3F: 31' (9.5 m)
Maximum Spherical Solids – 3/4" (19 mm)
Liquids Handling – Domestic effluent and drain water
Intermittent Liquid Temperature – Up to 140°F (60°C)
Motor/Electrical Data – 1/3 HP, 1550 RPM, shaded pole, oil-filled; 115V, 12A, 1Ø, 60Hz; 230V, 6A, 1Ø, 60Hz
Acceptable pH Range – 6-9
Specific Gravity – .9-1.1
Viscosity – 28-35 SSU
Discharge, NPT – 1-1/2" (50.8 mm)
Housing – Heavy cast iron
Minimum Sump Diameter – Simplex: 24" (61 cm)
 Duplex: 36" (91.4 cm)
Power Cord – 20', 16/3, SJTW

FEATURES

Two Powerful Pumps

High head (ME3H), High flow (ME3F)

Maximum Heat-handling

Durable, oil-filled motor for continuous bearing lubrication and maximum heat dissipation

Powerful Starts

High-torque, no starting switches or relays to wear out

Thermal Protection

Heat sensor overload protection with automatic reset when motor cools to a safe operating temperature

Longer-lasting Motor

Lower ball bearing eliminates sleeve bearing wear and reduces motor wear

Manual Operation

Tethered automatic models can be operated manually by unplugging piggyback switch and plugging pump directly into outlet

MYERS® ME3 SERIES

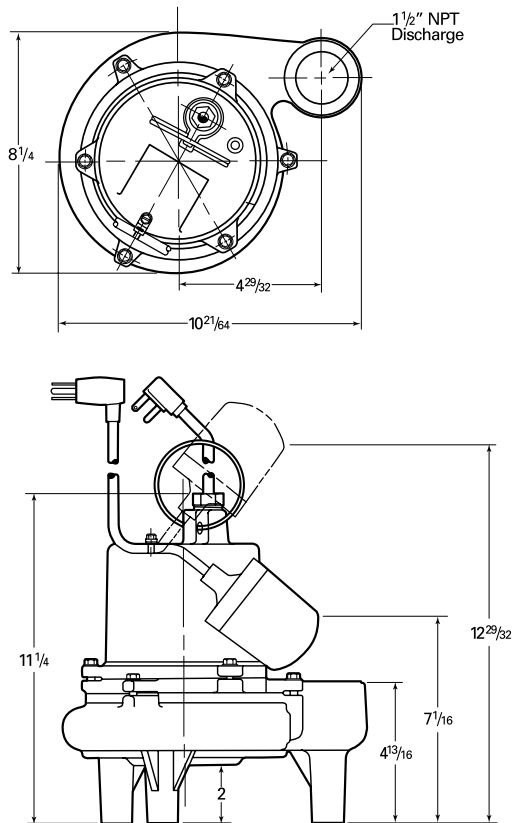
ORDERING INFORMATION

Catalog Number	HP	Volts	Phase/Cycles	Amps	Discharge Size	Switch Type	Cord Length	Approx. Wt. Lbs.
ME3H-11	1/3	115	1/60	12	1-1/2"	Manual	20'	37
ME3H-11P	1/3	115	1/60	12	1-1/2"	Automatic*	20'	38
ME3H-21	1/3	230	1/60	6	1-1/2"	Manual	20'	37
ME3H-21P	1/3	230	1/60	6	1-1/2"	Automatic*	20'	38
ME3F-11	1/3	115	1/60	12	1-1/2"	Manual	20'	37
ME3F-11P	1/3	115	1/60	12	1-1/2"	Automatic*	20'	38
ME3F-21	1/3	230	1/60	6	1-1/2"	Manual	20'	37
ME3F-21P	1/3	230	1/60	6	1-1/2"	Automatic*	20'	38

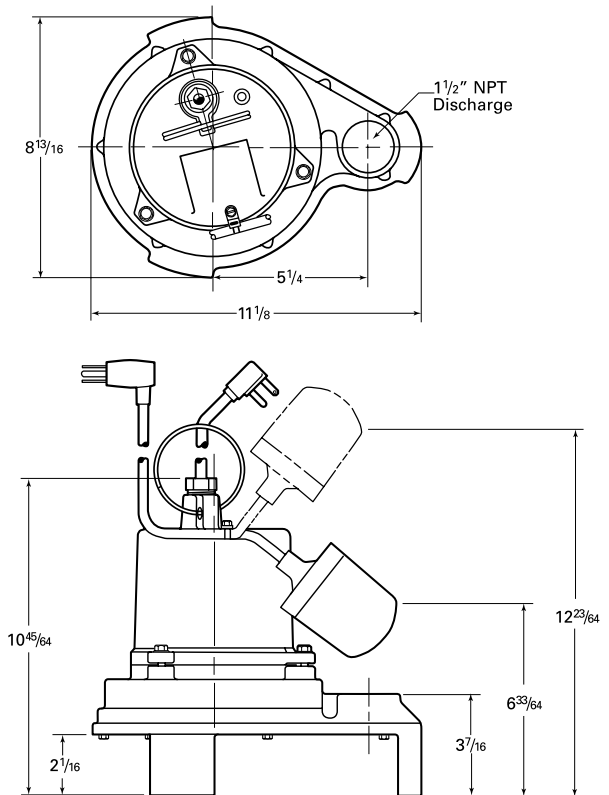
*Piggyback

DIMENSIONS

ME3F (High Flow)

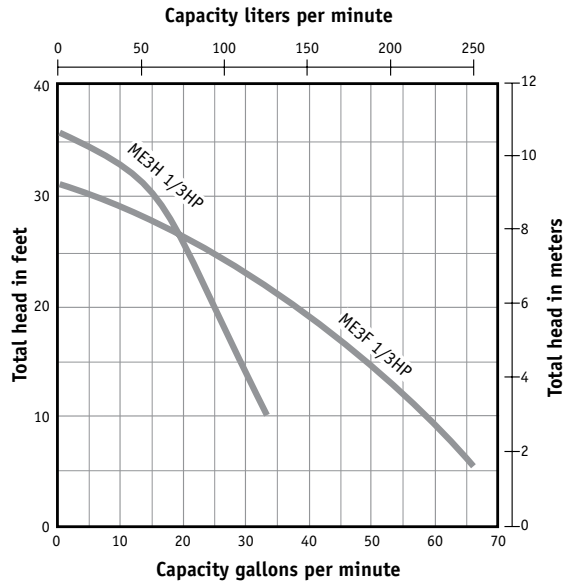


ME3H (High Head)



MYERS® ME3 SERIES

PUMP PERFORMANCE



MYERS® ME3 SERIES

SPECIFICATIONS

Effluent Pumps – Pump(s) shall be F. E. Myers ME3F / ME3H series sump pumps selected in accordance with the following design criteria:

Number of Pumps:	_____	Motor Horsepower:	1/3
Primary Design Flow:	_____	Motor Speed:	1550 RPM
Primary Design Head:	_____	Electrical:	115 Volts, 1Ø, 60 Hz or 230 Volts, 1Ø, 60 Hz
Minimum Shut-off Head:	36		

Pump – The pump shall be designed to handle septic tank effluent and be capable of passing 3/4 inch spherical solids. The pump shall be capable of handling liquids with temperatures to 140°F intermittent.

Motor – The pump motor shall be of the submersible type rated 1/3 hp at 1550 RPM and shall be for _____ 115 volts or _____ 230 volts single phase, 60 cycles. Single phase motor shall be of the shaded pole type with no relays or starting switches. Stator winding shall be of the open type with Class A insulation rated for 105°C maximum operating temperature. The winding housing shall be filled with clean dielectric oil to lubricate bearings and seals, and transfer heat from the windings to the outer shell. The motor winding assembly shall be pressed into the stator housing for best alignment and heat transfer.

The motor shall be capable of operating over the full range of the performance curve without overloading the motor and causing any objectionable noise or vibration. The motor shall have two bearings to support the rotor; an upper sleeve bearing to accommodate radial loads and a lower sleeve bearing with thrust pad to take thrust and radial loads.

A heat sensor thermostat and overload shall be attached to the top end of the motor windings and shall be wired in series with the windings to stop the motor if the motor winding temperature reaches 221°F. The overload thermostat shall reset automatically when the motor cools to a safe operating temperature.

Power Cord – The motor power cord shall be 20 feet SJTW type. The cord shall have a molded compression grommet to insulate electrical connections. The grommet shall thread into the motor housing to provide a positive seal and to prevent leaking of liquid into the motor housing. The sealing grommet shall provide strain relief for the power cord assembly.

Optional Control Switch – The effluent pump shall be controlled by an optional piggyback float switch. The float switch shall be of a non-mercury type and be capable of directly controlling the pump motor without the need for an external control panel.

Shaft Seal – The motor shall be protected by a rotating mechanical shaft seal. The seals shall have carbon and ceramic seal faces lapped to a tolerance of one light band. Metal parts and springs for seals shall be 300 series stainless steel.

Pump Impeller (ME3F) – The pump impeller shall be of the two vane enclosed type. The impeller shall be constructed of engineered thermoplastic. A stainless steel wear ring shall be molded into the neck of the impeller to provide a sealing surface. A replaceable Buna-N sealing cup shall effect a seal between the volute and impeller in order to maintain high efficiency and prevent recirculation.

Pump Impeller (ME3H) – The pump impeller shall be of the recessed type. The impeller shall be constructed of engineered thermoplastic.

Motor Castings – The motor housing castings shall be of high tensile strength Class 30 gray cast iron. Castings shall be treated with phosphate and chromate rinse and painted with a high quality air dry alkyd enamel for corrosion protection.

Pump Case – The pump case shall be a high efficiency volute design capable of passing 3/4 inch spherical solids. The pump volute shall be constructed of Class 30 gray cast iron.

Fasteners – All exposed fasteners shall be of 300 series stainless steel.



USA
293 WRIGHT STREET, DELAVAN, WI 53115 WWW.FEMYERS.COM
PH: 888-987-8677 ORDERS FAX: 800-426-9446

CANADA
490 PINEBUSH ROAD, UNIT 4, CAMBRIDGE, ONTARIO N1T 0A5
PH: 800-363-7867 ORDERS FAX: 888-606-5484

Because we are continuously improving our products and services, Pentair reserves the right to change specifications without prior notice.