

# Conveyor Belt Misalignment (off-track) Switch



ET-4/1-L  
ET-4/1-L32

Smallest dimensions  
Tough design



- **1 contact NO plus 1 NC**
- **Direct opening**
- **Snap-action contacts**
- **IP 67**
- **Smallest dimensions**
- **Tough design**



These switches are designed for small belt conveyors to detect belt misalignment. They are equipped with a roller which is beared on the stainless steel actuation lever. When misalignment occurs, the lever is displaced by the flank of the belt out of the neutral position. When the displacement angle reaches  $25^\circ$  the contacts switch over. The maximum displacement angle of the roller lever is  $55^\circ$ . When the belt returns to its normal position the roller lever follows this movement. Switching back happens automatically at a displacement angle of  $16^\circ$ .

For universal, easy mounting the actuation lever can be positioned in any angle to the switch shaft.

Each switch is equipped with one contact NC and one contact NO. Both contacts switch over simultaneously in snap-action, the NC contact has a direct opening mechanism (positive drive). Each contact has a rating of 240 VAC 6 A or 24 VDC 5 mA up to 10 A.

The IP67 protected enclosure is made of die-cast aluminium.

The long-life polyamide roller is sleeve-bearred on the stainless steel actuation lever. Two different diameters of the roller are available: 20mm for smallest mounting situations ( type ET-4/1-L) or 32mm for greatest lifetime (ET-4/1-L32).

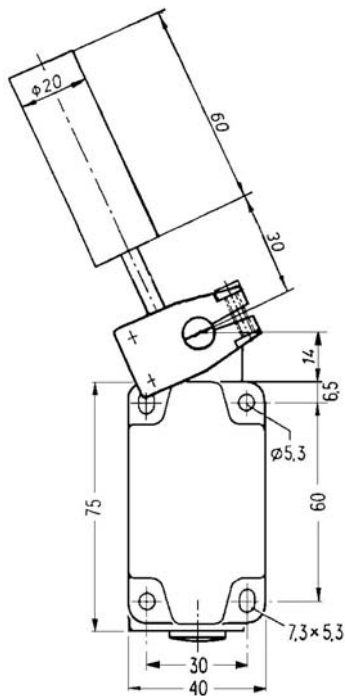
# Misalignment (off-track) Switch ET-4/1-L ET-4/1-L32

## Technical Data

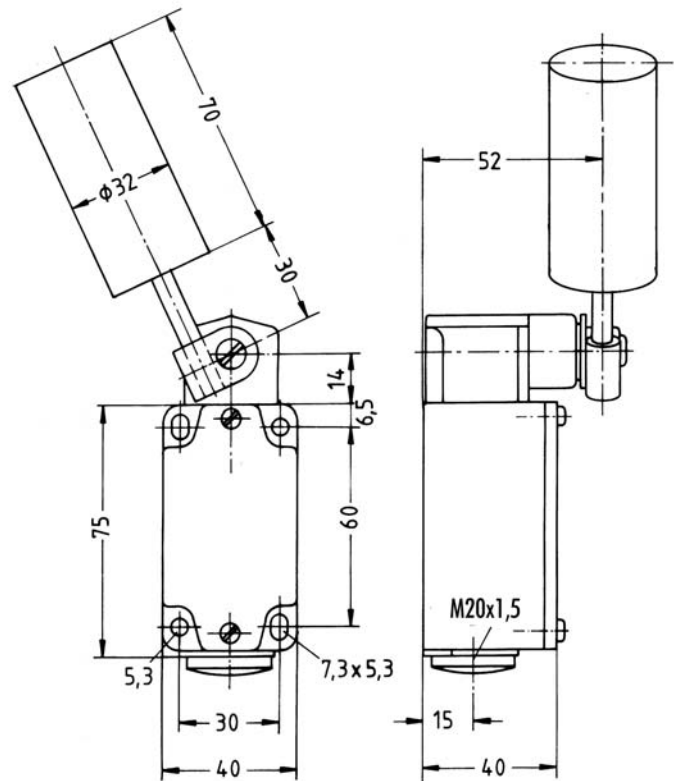
Conforms to standard	DIN VDE 0660 Part 200
Actuation angle	25°
Max. displacement angle	55°
Switching elements	1 NO and 1 NC
Contact ratings	240VAC 6 A or 24VDC 5 mA up to 10A
Cable entry	1 x M20x1,5 threaded hole
Protection	IP 67 (according to EN 60529)
Housing material	Die-cast aluminium
Housing colour	Yellow RAL 1003
Weight	0.3 kg
Fixing	4 holes for M5-screws
Mounting direction	Optional
Operating temperature	-40°C up to +85°C



ET-4/1-L



ET-4/1-L32



## Order number

- ET-4/1-L conveyor belt misalignment switch  $\varnothing$ 20mm roller
- ET-4/1-L32 conveyor belt misalignment switch  $\varnothing$ 32mm roller