

FS-A Series - SPDT

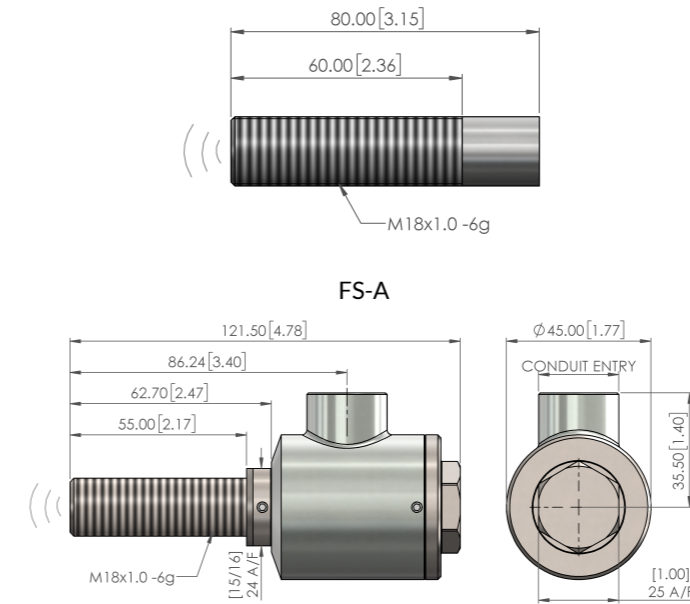
The FS-A Series (Metric M18 Thread) proximity switch was the first Ferro Sensor developed by Euroswitch. It benefits from a variety of certifications and unique features such as LFO/LFC NAMUR output and a low operating temperature of -60°C/-76°F.

Features

- Sensing range <2.5mm (0.100"). Can be extended with target magnet.
- Repeatability approx. 0.05mm (0.002").
- Volt free SPDT/SPCO (Form C) 4A contacts as standard.
- -60°C to +204°C / -76°F to +400°F temperature options.
- Metric thread.

Options

- Global Certification (Multi certified options available).



Mounting Thread: M18x1.0 Thread Length: 60.00mm / 2.36" Long

Conduit Entry: N/A

1 - Product Series	2 - Certification	3 - Material
FS-A Metric only M18x1.0 Thread No conduit entry <i>Refer to diagram(s) above for dimensions of product variants.</i>	Standard Approvals 1 General Industrial 2 IECEx/ATEX/UKEx Ex ia IIC/IIIC Intrinsically Safe Zone 0 & 20 † 3 IECEx/ATEX/UKEx Ex db/tb IIC/IIIC Explosion Proof Zones 1, 2, 21 & 22 Regional Approvals Explosion Proof (Ex db/tb) K TS Mark (Taiwan) M ECASEx # (UAE) P CCC Ex / NEPSI (China) R PESO (India) V KCs # (Korea) X INMETRO (Brazil) Z EAC /TRCU EAC* Regional Approvals Intrinsically Safe (Ex ia) L ECASEx # (UAE) N CCC Ex / NEPSI (China) Q PESO (India) U KCs # (Korea) W INMETRO (Brazil) Y EAC /TRCU EAC* * Russia, Kazakhstan, Belarus. † also suitable for zones 1, 2, 21 & 22.	Body Material 2 316L Stainless Steel Consult factory for alternative body material.

Sensing Ranges

Magnet Part No.	Range mm (")
MA-1S	4.0 (0.16)
MA-4S	8.0 (0.31)
MA-7S	12.0 (0.47)
MA-8S	8.0 (0.31)

Given sensing ranges relate to primary sensing face. Secondary and Tertiary sensing faces will see a reduced sensing range.

Notes & Abbreviations
 # Please consult factory before quoting these items where applicable.
 IS - Intrinsically Safe.
 GI - General Industrial.

FS-A-WLR

FS-	A	3	2	2	-	-	-
Option	1	2	3	4	5	6	

4 - Temperature Range	5 - Additional Options	6 - Connection Options
Standard Temperature 1 PVC Cable 1L PVC Leads Additional cost per meter over 2m. -20°C to +70°C (+80°C IS & GI) Low Temperature 2 Polyolefin Cable Polyolefin Cable - IS certification Additional cost per meter over 2m. -60°C to +120°C (+125°C IS & GI) High Temperature 4L PTFE/Teflon™ Leads Additional cost per meter over 2m. -40°C to +204°C Certification limitations apply 5L PEEK Leads Additional cost per meter over 2m. Only available on Ex db & GI. -40°C to +204°C Certification limitations apply All hard wired switches are supplied with 2 meters (78") as standard.	Contact Arrangement - SPDT/SPCO (Form C) Standard LFC Line Fault Monitoring NAMUR (Normally Closed) Ex ia & Standard Temperature* LFO Line Fault Monitoring NAMUR (Normally Open) Ex ia & Standard Temperature* Contact Material - Palladium/Silver Standard AU Gold Flashed Sensing Face Pressure Rating - 2,000 psi / 138 Bar Standard * Low Temperature & Ex db/tb version available please consult factory. Some options may be combined. Please consult factory.	Non Standard Cable/Lead Lengths - Standard length is 2 metres xxM Non standard length, specify in metres e.g. -10M ‡ Temperature range must be 1 Options may be combined. Please consult factory.