



HWI 103

- ▶ Incremental rotary encoder with hollow shaft
- ▶ Constructionally great scope due to flat design
- ▶ Very robust design
- ▶ Also available in stainless steel for aggressive environmental conditions
- ▶ Accessories from page 70

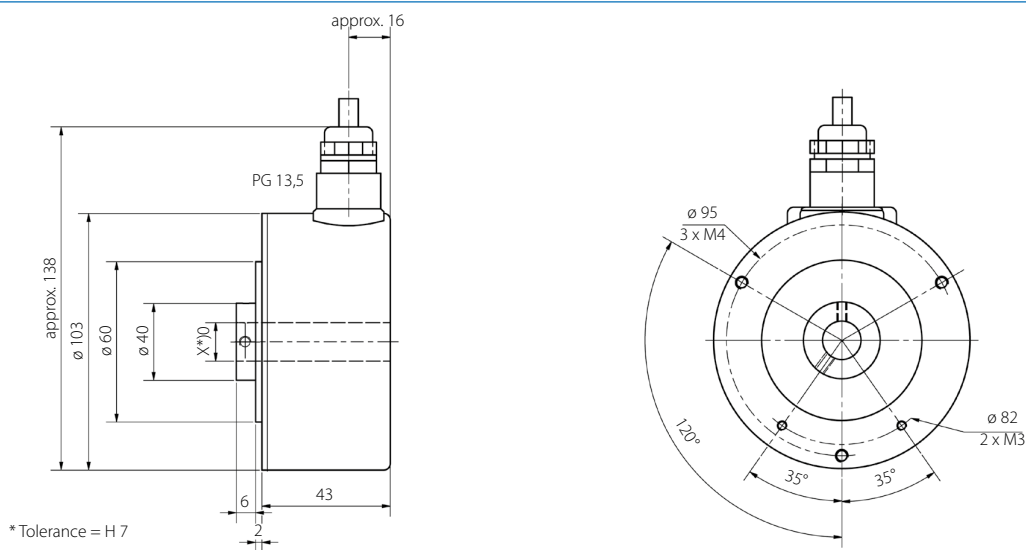
Electrical specifications

max. pulse frequency:	100 kHz
Perm. temperature range:	-30°... +70° C
Power supply:	10V... 30V DC
Max. current consumption:	80 mA (without load)
Max. output load:	30 mA (per channel)
Residual ripple:	max. ± 5% U_B
Power supply:	5V DC ± 5%
Max. current consumption:	80 mA

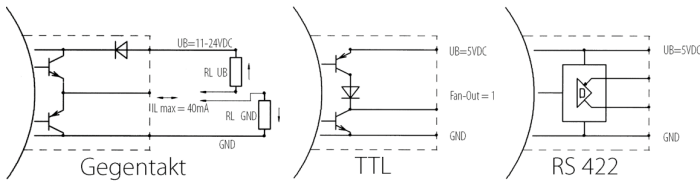
Mechanical specifications

Flange:	Aluminium
Housing:	Aluminium
Hollow shaft:	stainless steel
Shaft seal:	Oil/Salt-water resistant
Bearing:	Deep groove ball bearing
Weight:	approx. 0.8 kg
Protection type:	IP 65
Max. speed:	6000 U/min
Torque:	approx. 15 Ncm at 25° C approx. 50 Ncm at 20° C

Mechanical dimensions



Output circuits

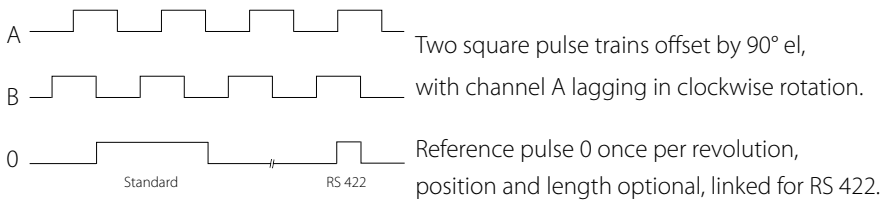


Order ref.: 1

3

6

Signal outputs



All channels can also be executed inversely.

Pin configuration

	GND	+ U _b	A	B	\bar{A}	\bar{B}	0	$\bar{0}$
Connection type 00 (Colour code according to DIN 47100)	white	brown	green	yellow			grey	
Connection type 00 (Colour code according to DIN 47100)	white	brown	green	yellow	grey	pink	blue	red
Connection type 01	black	blue	brown	beige			yellow	
Connection type 01	black	blue	brown	beige	yellow	green	pink	purple
Connection type 07, 08, 09, 10, 11	1	2	3	4	(5)	(6)	5	6
Connection type 12, 54	1	2	3	4	5	6	7	8

Order reference

