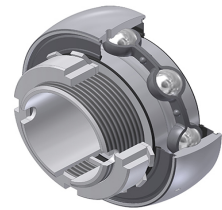


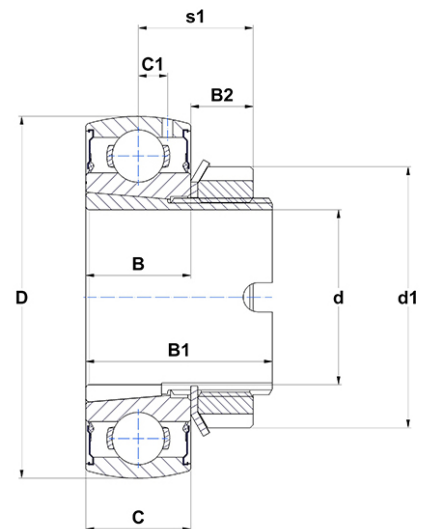
## PDF technical sheet LK.208.G2H



### Insert bearings

spherical outer diameter, fixing by adapter sleeve (light weight design), single lip seal

Product definition	
B	22 mm
B1	38 mm
B2	12.20 mm
C	21 mm
C1	6.30 mm
d	40 mm
d1	58 mm
D	80 mm



m.ncatalog.fo.features-other-performance	
C	29.50 kN
C0	19.80 kN
T min.	-20 °C
T max.	100 °C

Other features	
Weight	0.5400 kg