



## ELECTRIC CABINET HEATER WITH INTEGRATED THERMOSTAT

- ceramic heating elements
- low surface temperature
- plug'n'play
- no need of an external controller

Type: super-maxi

Power range: 250W – 500W

Voltage range: 115V – 440V

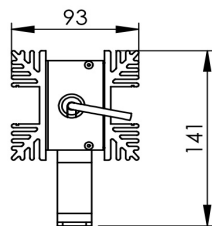
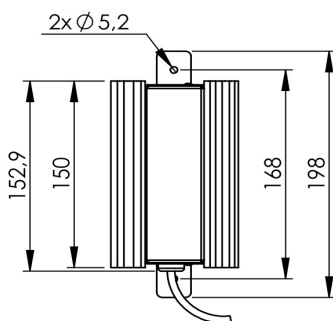


### Technical data

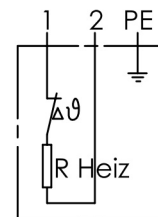
	DESCRIPTION	ORDER INDEX
Kind of protection	IP30 / IP20 with DK	IP30 or IP20
Protection class	PC I	-
Operation- / storage temperature	-40 – +70 °C	-
Surface temperature (at 20°C surrounding temperature)	according to temperature setting (see switch-off temperature)	-
Wiring cable	0,50m 3x0,75mm <sup>2</sup> *	exact specification
Heating element	ceramic heating elements	-
Mounting	screw-mounting	SRS
Connection	wiring cable 3x0,75 mm <sup>2</sup>	AL
	plug-in terminal 0,08 - 2,5mm <sup>2</sup>	DK
Temperature settings (intrinsic temperature)	tropic: < 35°C On / 70°C Off	T
	high tropic: < 50°C On / 80°C Off	HT
	anti-freeze: < 10°C On / 60°C Off	F
	normal setting: < 25°C On / 60°C Off	ST
Mounting position	vertical	-
Special voltages	115V, 400V, 440V	exact specification

\* variable length is possible

### Dimension



### Wiring diagram



U	bn (1)	bl (2)	gn/ge (3)
>= 115V AC	L1	N (L2)	PE

### Standard versions

ORDER-NO.	VOLTAGE	POWER	OPERA.CURRENT	INRUSH CURRENT	WEIGHT	DIMENSIONS	CONNECTION	MOUNTING	TEMPERATURE SETTING
230250AL0	230V / 50/60Hz	250W	1,09A	1,09A	1400g	198x93x141mm	cable 0,50m	screw	<35°C On / 70°C Off
230500AL0	230V / 50/60Hz	500W	2,17A	2,17A	1400g	198x93x141mm	cable 0,50m	screw	<35°C On / 70°C Off

The information described on this data sheet contains descriptions or characteristics, which could not apply in the described way in the concrete case. The information of the products can also change in the course of development. The desired characteristics are only binding in the case that they have been explicitly agreed with a contract conclusion. Delivery possibilities and technical changes reserved.

The mentioned technical data have been determined under labor conditions by universal test instructions. Only insofar characteristics are ensured. The test for the suitability for the intended use scheduled by the purchaser is incumbent on the purchaser; we do not take warranty for that. Errors reserved. Status: 04/2018