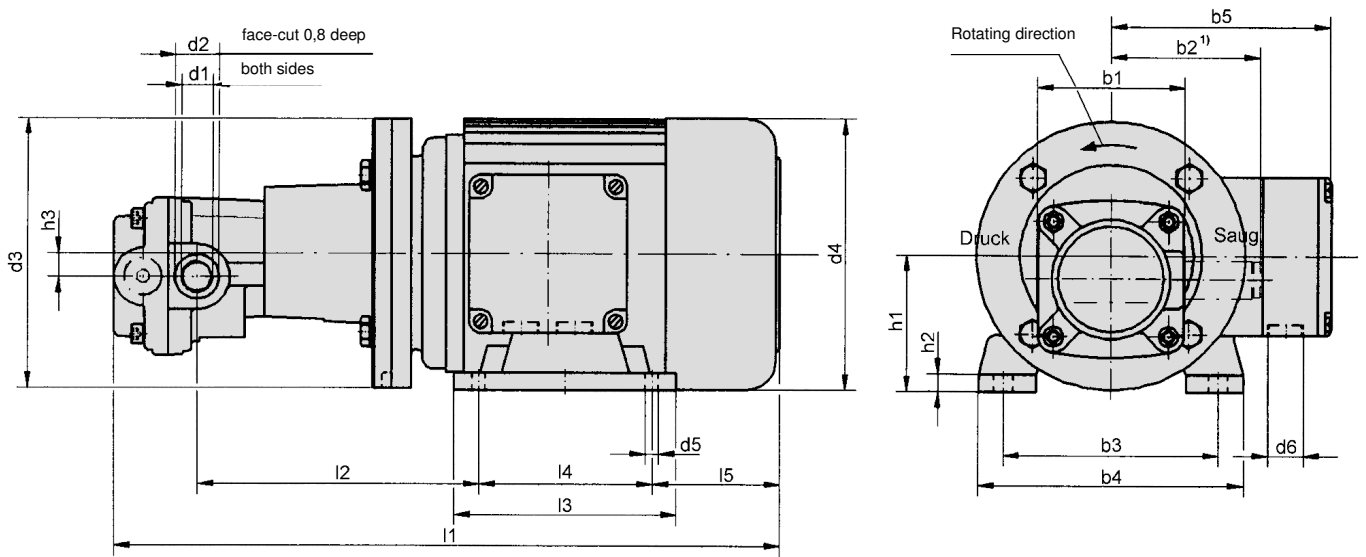


Rotary Gear Motor Pumps 41 – 551 F.../M...



all dimensions in mm

Pump Size	d1	d2	d3	d4	d5	b1	b2 ¹⁾	b3	b4	b5	Pump Models		l2	l3	l4	l5	h1	h2	h3	Weight ³⁾ (kg)	P (kW)	Flow Rate ⁴⁾ (l/min)	Pressure ⁴⁾ (bar)
											l1 ²⁾ A	B											
41	G 1/4	19	120	130	7	56	58	100	125	91	299	299	121	100	80	63	63	8	9,1	7,3	0,18	1,3	30
51	G 1/4	19	120	130	7	56	58	100	125	91	299	299	121	100	80	63	63	8	9,1	7,3	0,18	2,3	22
			140	143				112	138	108	319	319	128	115	90	66	71	9		10,5	0,37	2,0	30
76	G 1/4	19	120	130	7	56	58	100	125	91	299	299	121	100	80	63	63	8	9,1	7,3	0,18	3,2	16
			140	143				112	138	108	319	319	128	115	90	66	71	9		10,5	0,37	2,5	30
101	G 3/8	23	140	143	7	76	77	112	138	108	347	347	149	115	90	66	71	9	12,1	13	0,37	4,2	24
			160	158	9			125	153	122	388	388	164	125	100	82	80	10		15	0,75	3,8	30
151	G 3/8	23	140	143	7	76	77	112	138	108	347	347	149	115	90	66	71	9	12,1	13	0,37	6,9	17
			160	158	9			125	153	122	388	388	164	125	100	82	80	10		15	0,75	5,9	30
251	G 1/2	27	140	143	7	90	85	112	138	108	368	368	162	115	90	66	71	9	15,1	14	0,37	15,2	5
			160	158	9			125	153	122	419	419	187	125	100	82	80	10		16	0,75	14,5	14
			160	176	9			140	170	139	431	431	193	130	100	88	90	11		19	1,1	13,9	22
			160	176	9			140	170	139	456	456	193	155	125	88	90	11		22	1,5	13,1	30
351	G 3/4	33	158	9	106	100	125	153	122	430	438	193	125	100	82	80	10	19	18	0,75	29,0	7	
			176	9			140	170	139	452	460	209	130	100	88	90	11		22	1,1	28,0	12	
			176	9			140	170	139	477	485	209	155	125	88	90	11		25	1,5	27,1	17	
			196	12			160	195	154	511	519	216	176	140	100	100	13		33	3	24,7	30	
451	G 1	40	158	9	130	120	125	153	122	448	454	203	125	100	82	80	10	22,7	22	0,75	44,4	3	
			176	9			140	170	139	460	466	219	130	100	88	90	11		26	1,1	43,2	10	
			176	9			140	170	139	495	501	219	155	125	88	90	11		29	1,5	40,6	24	
			196	12			160	195	154	549	565	246	176	140	100	100	13		37	3	39,7	30	
551	G 1 1/4	50	176	9	130	120	140	170	139	497	505	220	130	100	88	90	11	22,7	28	1,1	70,6	2	
			176	9			140	170	139	522	530	220	155	125	88	90	11		31	1,5	70,0	5	
			196	12			160	195	154	576	584	247	176	140	100	100	13		39	3	68,3	14	
			220	12			190	225	167	593	601	254	176	140	110	112	15		45	4	67,1	20	

1) For pumps with internal by-pass relief valve only. Important: Please refer to instruction manual.

2) Length for the following versions:
A: Version without by-pass relief valve
B: Version with by-pass relief valve

3) Weight with aluminium drive, for other drive versions the weight may vary from the above mentioned value.

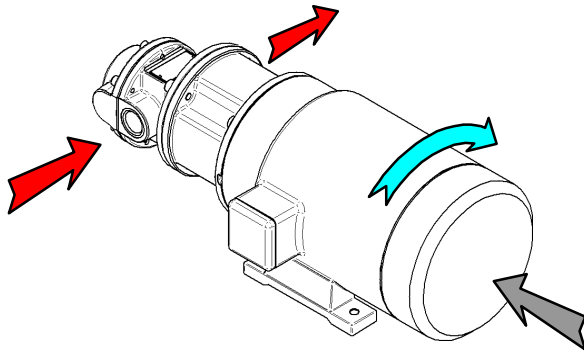
4) Flow rate and pressure at given drive performance, nominal speed 1450 1/min, 50mPas

When ordering, indicate the needed direction of rotation by specifying the location of the inlet port (left or right when facing pump shaft end). Shaft sealed by lip seal ring.

Rotary Gear Motor Pumps 41 – 551 F.../M...

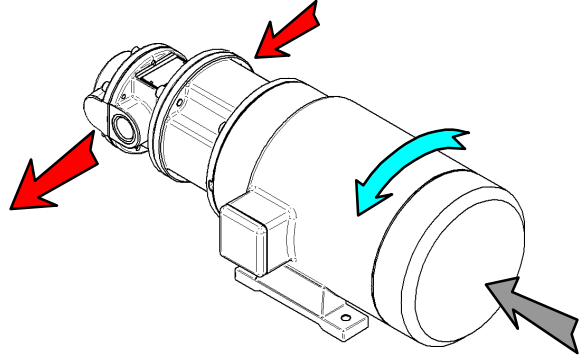
Flow direction and port location is determined by pump model type (FA, FB or FC) and direction of rotation (blue arrow), facing shaft end of each pump (gray arrow).

Pump Model ... FA/M ...



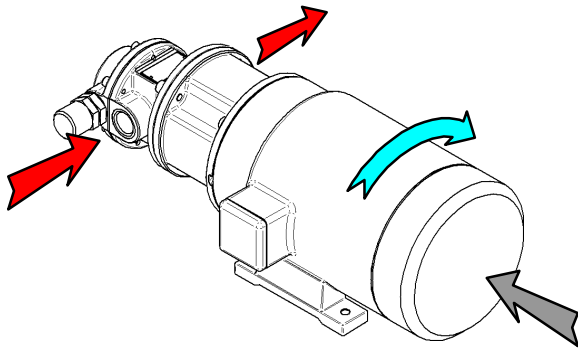
Clockwise rotation
Suction left,
Discharge right

Pump Model ... FAL/M ...



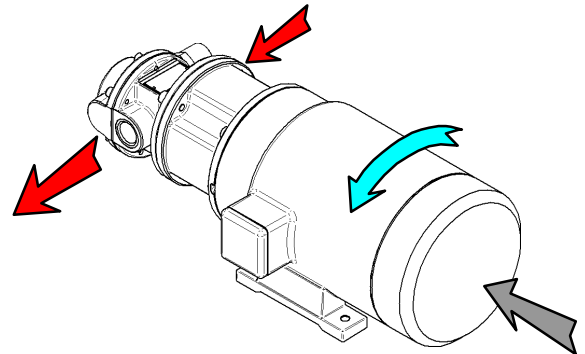
Counter clockwise rotation
Suction right,
Discharge left

Pump Model ... FB/M ...



Clockwise rotation
Suction left,
Discharge right

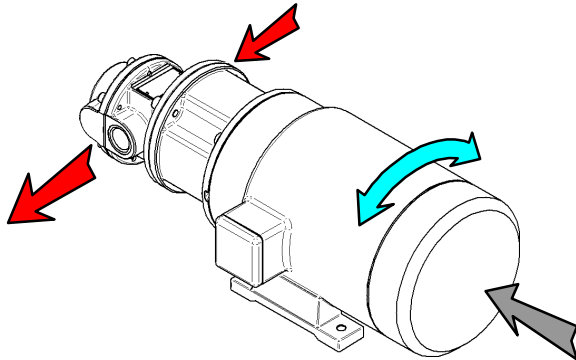
Pump Model ... FBL/M ...



Counter clockwise rotation
Suction right,
Discharge left

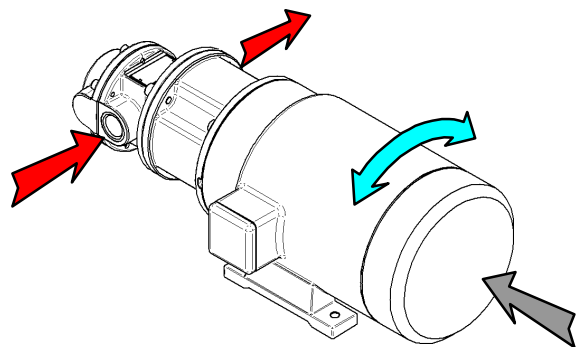
The built-in by-pass relief valve on model B pumps is always located on the suction side of the pump.

Pump Model ... FC/SR/M ...



Clockwise or counter clockwise rotation
Suction right,
Discharge left

Pump Model ... FC/SL/M ...



Clockwise or counter clockwise rotation
Suction left,
Discharge right