

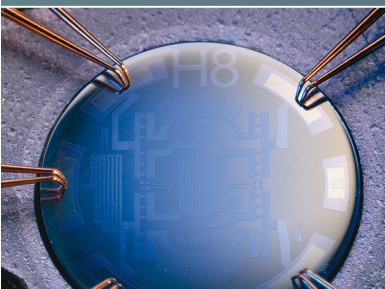
Pioneering new technologies
Pioneering new technologies



Sensor-Technik Wiedemann GmbH
Mobile Controllers and Measurement Technologies

Pressure transmitter A07

Pressure transmitter A07



Pressure transmitter A07 – for gauge pressure

Characteristics

- Piezoresistive measuring element
- Small hysteresis
- Simple mounting
- Overload safe
- Low cost

Applications

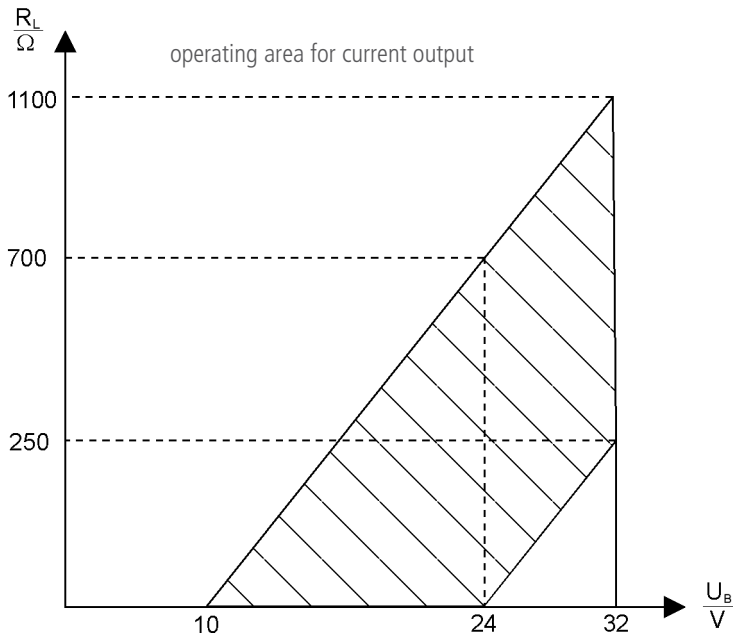
- Pneumatic facilities
- Testing stand
- Industry and research
- Compressor-control
- Process engineering



Technical specifications

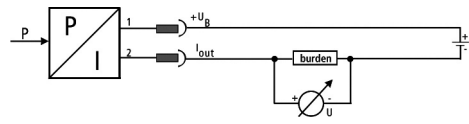
Gauge pressure range	0 ... 0.25 bar to 0 ... 25 bar, special ranges without extra charge						
Standard pressure range	bar	0.25	0.6	1.6	4,0	10	25
Overload	bar	2	6	10	20	30	40
Linearity	% FS	0.5					
Pressure hysteresis + repeatability	% FS	0.15					
Thermal effect on zero	% FS/10K	0.5	0.3				
Thermal effect on span	% FS/10K	0.4	0.4				
Media temperature range	°C	-10 ... +85					
Operating temperature range	°C	-10 ... +85					
Store temperature range	°C	-25 ... +125					
Excitation voltage	10 ... 32 VDC						allowable ripple at 50 Hz: 10%
Output	4-20 mA (2-wire-technique)						
Electrical connection	4-contact MPM-plug						reverse polarity and shortcircuit protection
Pressure connection	G 1/4						
Protection classification	IP 65						
EMC	EN 61000-6-2 EN 61000-6-3						
Material housing	Zinc, nickel-plated						
Material diaphragm	Silicon with passive side to medium						
Starting torque	8 ... 10 Nm						

Pressure transmitter A07 – for gauge pressure

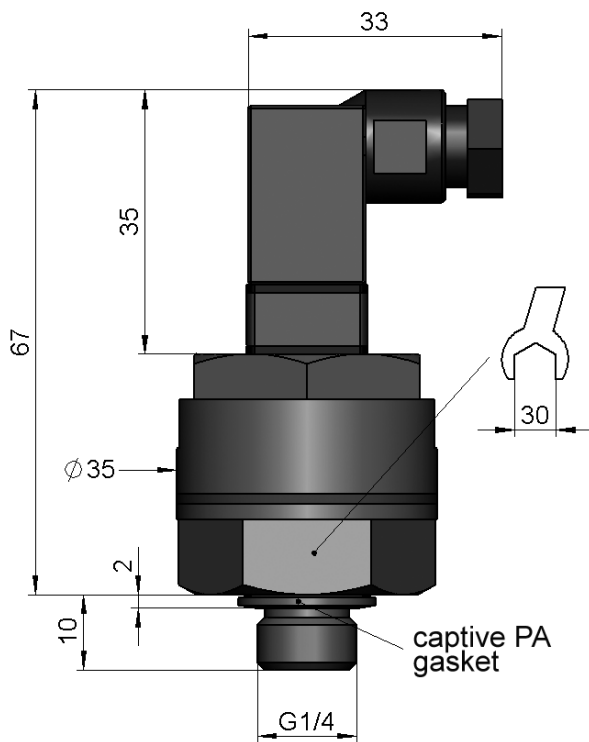
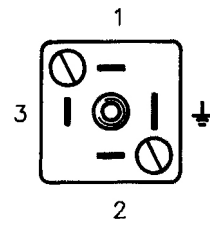


Load resistance max.: $R_L = \frac{U_B - 10\text{ V}}{0,02\text{ A}}$

Electrical connection for 2-wire-technique



MPM-plug IP 65



Connection STW-Pressure transmitter

	plug pins
	4 - 20 mA
+U _B	1
GND	-
Output	2

Order codes overleaf!

Order codes

