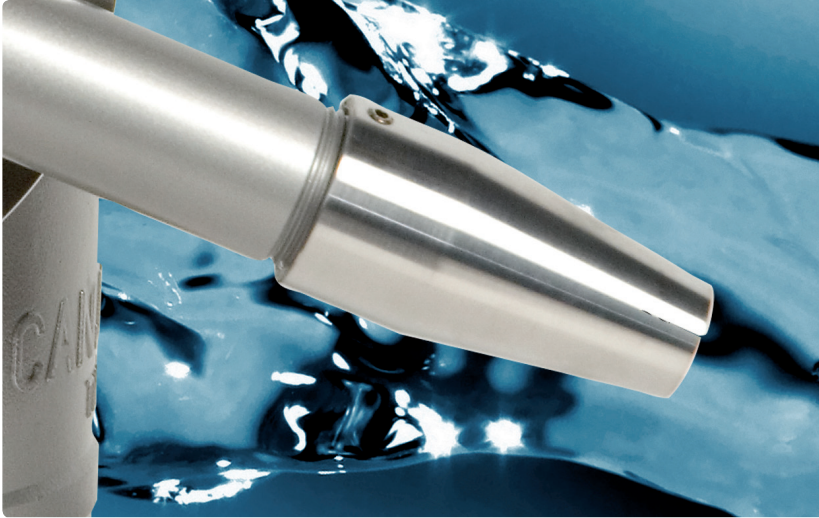


SC 15TW

Scanjet tank cleaning equipment



KEY FEATURES

- + Rugged construction
- + Adjustable turbine
- + ISO 9001 Quality
- + Exceptional jet lengths
- + Easy maintenance
- + 316 SS construction
- + Optimized cycle times
- + Flow through gearbox

The SC 15TW is a 1.5" dual or four nozzle automated tank cleaning machine constructed of 316 stainless steel and other highly corrosion resistant materials. It has a fixed to moving gear ratio of 47 to 49 allowing it to produce a homogenous 360° pattern that is superior to that of any other rotating jet head in it's class.

The SC 15TW is an integrated turbine class type of tank cleaning machine and employs an adjustable turbine and flow through gearbox. The adjustable turbine allows the rotation speed of the SC 15TW to be adjusted without the need of changing costly stators and/or gearing found in other similar cleaning devices.

Quality Standards

The SC 15TW is produced in accordance with ISO 9001 Quality Standards and our certificate of conformity and accreditation is available on request.

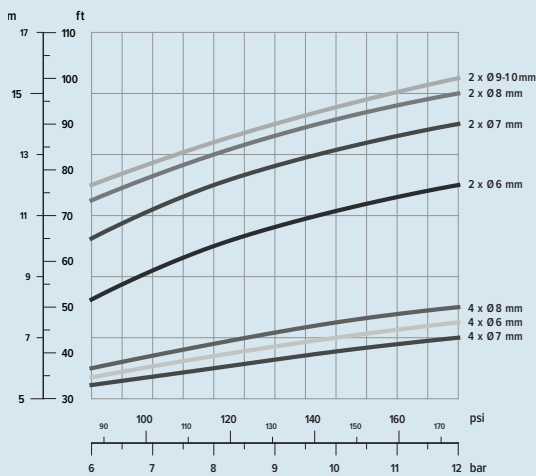
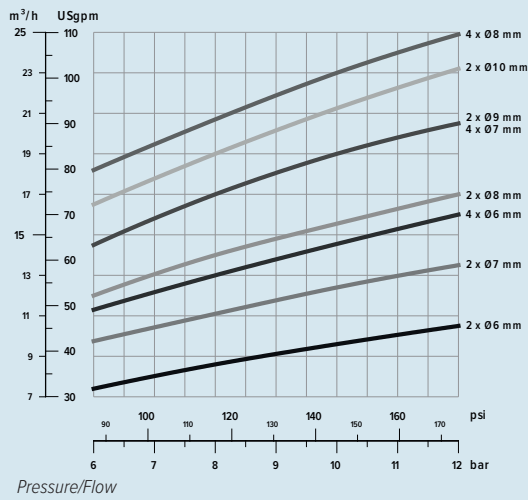
Additionally, the SC 15TW conforms to United States ASME standards for construction and others are available upon request.

Typical applications

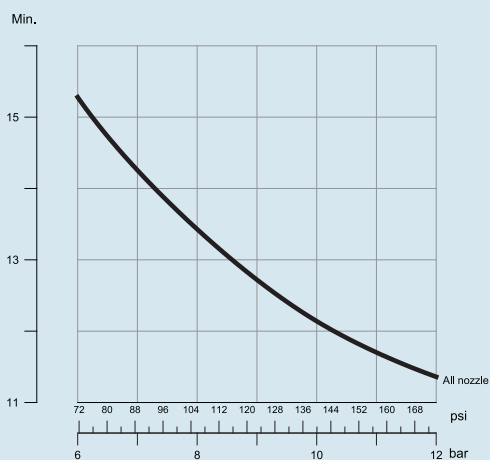
- + Road and Rail tanker cleaning
- + Portable cleaning for contractors
- + Fermenter tank cleaning
- + Storage tank cleaning
- + Wine storage tanks and fermenters
- + Brewery storage tanks and fermenter



Technical performance

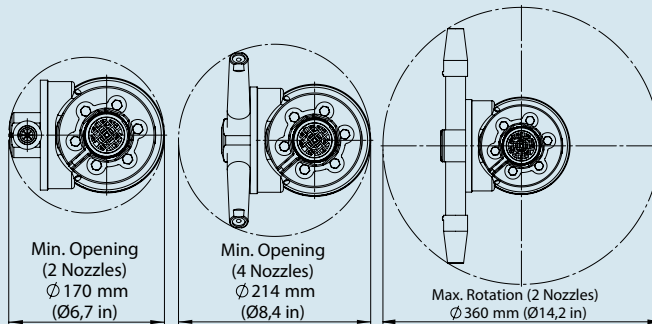
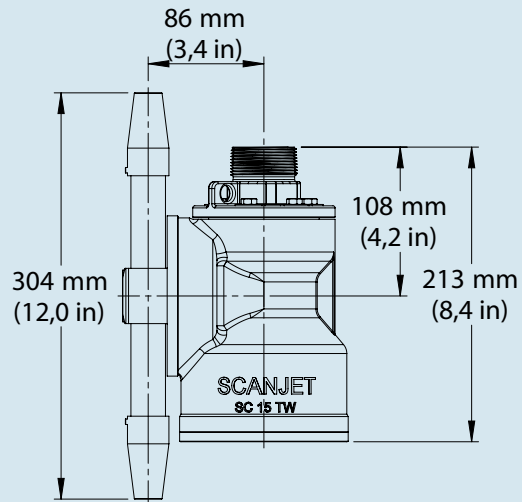


Jet length



Pattern time at 3 rpm

Dimensions



Specifications

Flow	7-25 m ³ /h
Inlet pressure	4-12 bar (60-180 psi)
Max pressure	14 bar (200psi)
Recommended pressure	8 bar (116 psi)
Max temperature	95°C (200° F)
Rotation speed	2-4 rpm
Weight	9,2 kg (20,2 lb)
Inlet connection	1½" BSP or NPT
	Flanges as option
Materials	AISI 316L, PTFE, PEEK, Ceramic
Lubrication	Cleaning Media

