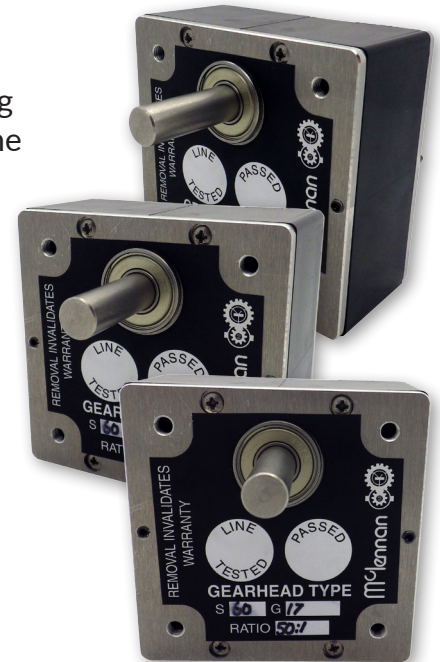


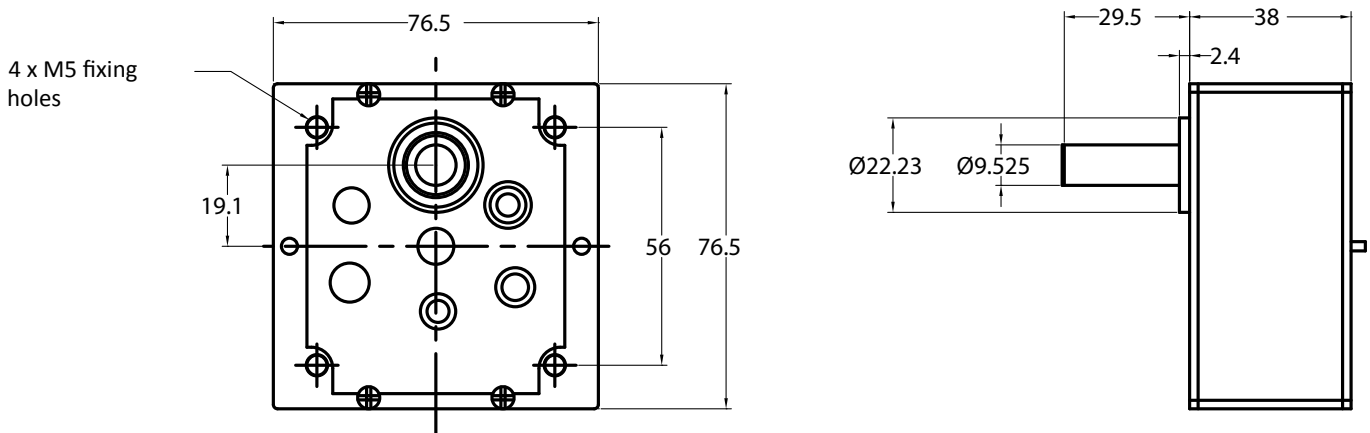
S60 Series - 6Nm Nominal Spur Gearhead

The S60 range has been designed to give you high performance and long life when used with with ac synchronous, stepper & dc servo motors. The units offer a wide choice of exact gear ratios from 5:1 to 250:1 and utilise steel gears and pinions to provide a high torque transmission capability.



- High Torque capability
- Wide range of ratios available
- Can be fitted to a wide range of stocked motors
- Ball race bearings on the output and penultimate stage
- Increased life under high torque conditions

S60 series - Dimensions (mm)



S60 series - Specifications

Order code	Ratio	Efficiency \geq	Direction of rotation @ output compared to input	Maximum continuous torque Nm	Maximum intermittent torque Nm
S60-G05	10:1	72%	Same	3.0	6.0
S60-G09	20:1	64%	Opposite	4.0	8.0
S60-G17	50:1	58%	Same	4.0	8.0
S60-G20	90:1	52%	Opposite	4.5	8.0
S60-G23	125:1	52%	Opposite	6.0	8.0
S60-G27	250:1	52%	Opposite	6.0	8.0

Maximum motor input speed: 3000 rpm
 Maximum radial load on output shaft: 250N @ centre of output shaft
 Maximum axial load on output shaft: 250N
 Lubrication: Grease