

# 4200 SERIES

Condensate Units - Cast Iron Tank

## Technical Specifications

**Sterlco® 4200 Series Condensate Units set new standards of performance. Reliable and efficient, each unit features heavy-duty cast iron receivers for long operating life.**

In addition, 3450 RPM motors assure maximum efficiency while maintaining minimum motor horsepower. Available in a wide range of sizes, these U.S. made units have just the right accessories and options to meet your unique needs.



### Features

#### Standard Features

- Heavy-duty cast iron receivers
- Simplex or duplex construction
- Bronze fitted centrifugal pumps
- Energy efficient 3450 RPM motors
- Automatic venting
- "Sterl-Seal" ceramic pump seal (250°F)
- Heavy-duty float switch
- Wide range of options and accessories

#### Optional Features

- Mechanical and electrical alternators for duplex units
- Gauge glass
- Thermometer
- Isolation valves
- Special motor construction, such as totally enclosed, washdown duty and explosion-proof is available
- 1750 RPM motors, larger pumping capacities and higher discharge pressures - consult factory
- 75 + 120 gallon tanks are available
- Elevated tanks are available
- Complete NEMA 12 Control Panel

## Product Features



### Motors:

Heavy-duty, ballbearing, close-coupled pump motors with stainless steel shaft. 3450 RPM for greater efficiency and more economical operation.

### Float Switch:

Two-pole, drip proof case, stainless steel float and float rod, double-break silver-to-silver contacts. Float

travel adjustment is easy, visible and accessible.

### Automatic Venting:

Provides for efficient operation and long life by venting air and flushing seal area.

### Large Tanks:

Plenty of capacity for maximum rating of pump. Return inlet is low. Occupies a minimum of floor space.

### Centrifugal Pump:

Offers a wide range of pressures and GPM. Unique design features provide for ease of servicing.

### Impeller:

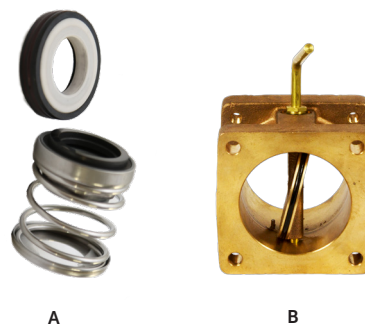
Made of brass for long life. Efficient design provides maximum capacity, minimum motor load.

### “Sterl-Seal” Pump seal (A):

Features the ultimate in ceramic technology for exceptionally long life. Because the seal runs on the bronze impeller hub, the motor shaft is literally outside the pump. Consequently, the shaft is not exposed to corrosion by condensate. Rated for temperatures up to 250°F.

### Isolation Valve (B):

Optional on 4200 Series Condensate Units. Allows removal of pump without draining the tank.



## Control Panel



Inside view of control panel

### Complete NEMA 12 Control Panel (Optional)

- Motor Circuit Protector
- HOA Selector Switch
- External Reset
- Control Circuit Transformer
- Pilot Light (pump running)
- Removable Mounting Plate and Terminal Strip in a Single NEMA 12 Enclosure
- Mounted and Wired with Single Point Power Connection.

## Specifications

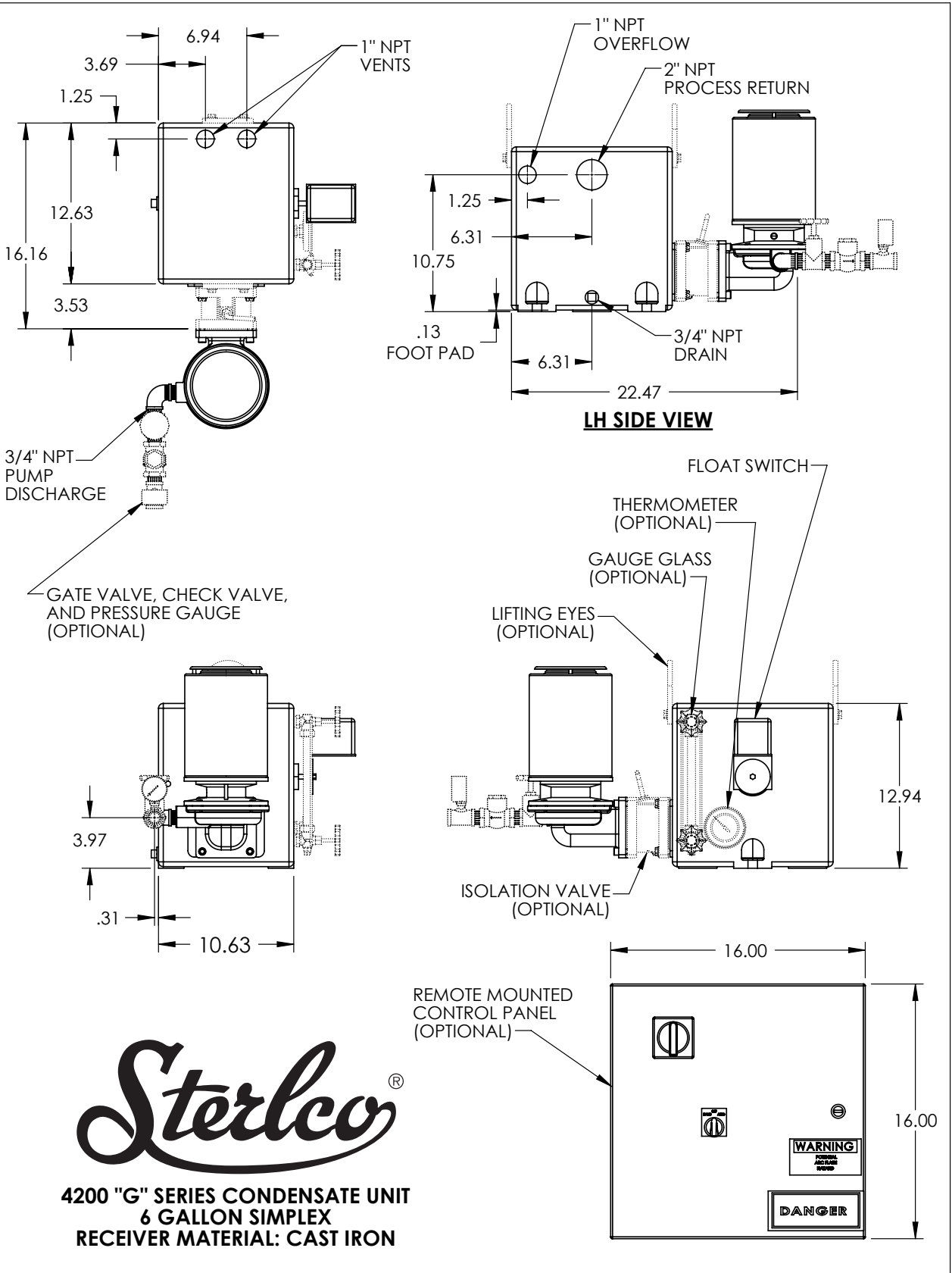
### 4200 Series Engineering and Capacity Data

| Capacity<br>Sq. Ft. EDR                    | Discharge<br>Pressure PSI | Pump<br>Capacity,<br>GPM | Motor<br>HP                     | Rec.<br>Capacity,<br>Gallons | Unit Model Number                               |  | Shipping Weight, lbs.           |                             |
|--|---------------------------|--------------------------|---------------------------------|------------------------------|---|--|---------------------------------|-----------------------------|
|  |                           |                          |                                 |                              | Simplex   | Duplex                                   | Simplex                         | Duplex                      |
| 2,000<br>4,000<br>6,000<br>8,000           | 20                        | 3<br>6<br>9<br>12        | 1/3<br>1/3<br>1/3<br>1/3        | 6<br>6<br>15<br>15           | 4222-G<br>4224-G<br>4226-G<br>4228-G            | -<br>-<br>4226-GD<br>4228-GD             | 150<br>150<br>260<br>260        | -<br>-<br>295<br>295        |
| 10,000<br>15,000<br>20,000                 |                           | 15<br>22.5<br>30         | 1/2<br>1/2<br>3/4               | 15<br>24<br>36               | 42210-G<br>42215-G<br>42220-G                   | 42210-GD<br>42215-GD<br>42220-GD         | 260<br>300<br>410               | 295<br>335<br>445           |
| 25,000<br>30,000                           |                           | 37.5<br>45               | 3/4<br>1                        | 36<br>36                     | 42225-J<br>42230-J                              | 42225-JD<br>42230-JD                     | 350<br>355                      | 420<br>430                  |
| 40,000<br>50,000                           |                           | 60<br>75                 | 1-1/2<br>2                      | 50<br>50                     | 42240-J<br>42250-J                              | 42240-JD<br>42250-JD                     | 420<br>425                      | 500<br>510                  |
| 2,000<br>4,000<br>6,000<br>8,000<br>10,000 | 30                        | 3<br>6<br>9<br>12<br>15  | 1/2<br>1/2<br>1/2<br>1/2<br>3/4 | 6<br>6<br>15<br>15<br>15     | 4232-J<br>4234-J<br>4236-J<br>4238-J<br>42310-J | -<br>-<br>4236-JD<br>4238-JD<br>42310-JD | 165<br>165<br>295<br>295<br>300 | -<br>-<br>360<br>360<br>365 |
| 15,000<br>20,000                           |                           | 22.5<br>30               | 1<br>1                          | 24<br>36                     | 42315-J<br>42320-J                              | 42315-JD<br>42320-JD                     | 305<br>355                      | 380<br>430                  |
| 25,000<br>30,000                           |                           | 37.5<br>45               | 1<br>1-1/2                      | 36<br>36                     | 42325-J<br>42330-J                              | 42325-JD<br>42330-JD                     | 355<br>360                      | 430<br>440                  |
| 40,000<br>50,000                           |                           | 60<br>75                 | 2<br>3                          | 50<br>50                     | 42340-J<br>42350-J                              | 42340-JD<br>42350-JD                     | 425<br>435                      | 510<br>525                  |
| 2,000<br>4,000<br>6,000<br>8,000<br>10,000 | 40                        | 3<br>6<br>9<br>12<br>15  | 1<br>1<br>1<br>1<br>1           | 6<br>6<br>15<br>15<br>15     | 4242-J<br>4244-J<br>4246-J<br>4248-J<br>42410-J | -<br>-<br>4246-JD<br>4248-JD<br>42410-JD | 170<br>170<br>295<br>295<br>295 | -<br>-<br>360<br>360<br>360 |
| 15,000<br>20,000                           |                           | 22.5<br>30               | 1-1/2<br>1-1/2                  | 24<br>36                     | 42415-J<br>42420-J                              | 42415-JD<br>42420-JD                     | 310<br>360                      | 390<br>440                  |
| 25,000<br>30,000                           |                           | 37.5<br>45               | 1-1/2<br>2                      | 36<br>36                     | 42425-J<br>42430-J                              | 42425-JD<br>42430-JD                     | 360<br>365                      | 440<br>450                  |
| 40,000<br>50,000                           |                           | 60<br>75                 | 2<br>3                          | 50<br>50                     | 42440-J<br>42450-J                              | 42440-JD<br>42450-JD                     | 425<br>435                      | 510<br>525                  |
| 2,000<br>4,000<br>6,000<br>8,000<br>10,000 | 50                        | 3<br>6<br>9<br>12<br>15  | 2<br>2<br>2<br>2<br>2           | 6<br>6<br>15<br>15<br>15     | 4252-J<br>4254-J<br>4256-J<br>4258-J<br>42510-J | -<br>-<br>4256-JD<br>4258-JD<br>42510-JD | 175<br>175<br>315<br>315<br>315 | -<br>-<br>395<br>395<br>395 |
| 15,000<br>20,000                           |                           | 22.5<br>30               | 2<br>3                          | 24<br>36                     | 42515-J<br>42520-J                              | 42515-JD<br>42520-JD                     | 330<br>370                      | 415<br>460                  |
| 25,000<br>30,000                           |                           | 37.5<br>45               | 3<br>3                          | 36<br>36                     | 42525-J<br>42530-J                              | 42525-JD<br>42530-JD                     | 370<br>370                      | 460<br>460                  |
| 40,000<br>50,000                           |                           | 60<br>75                 | 5<br>5                          | 50<br>50                     | 42540-J<br>42550-J                              | 42540-JD<br>42550-JD                     | 445<br>445                      | 535<br>535                  |

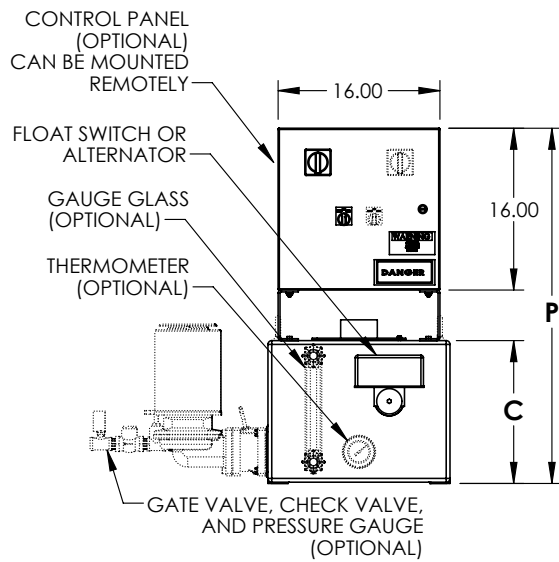
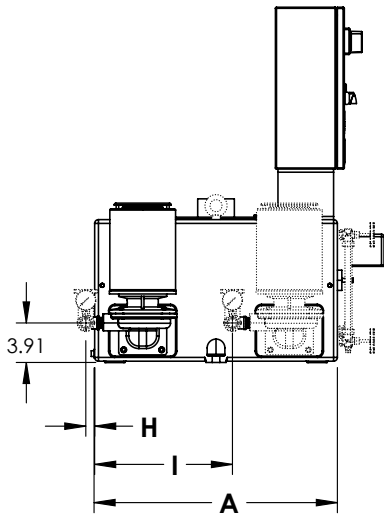
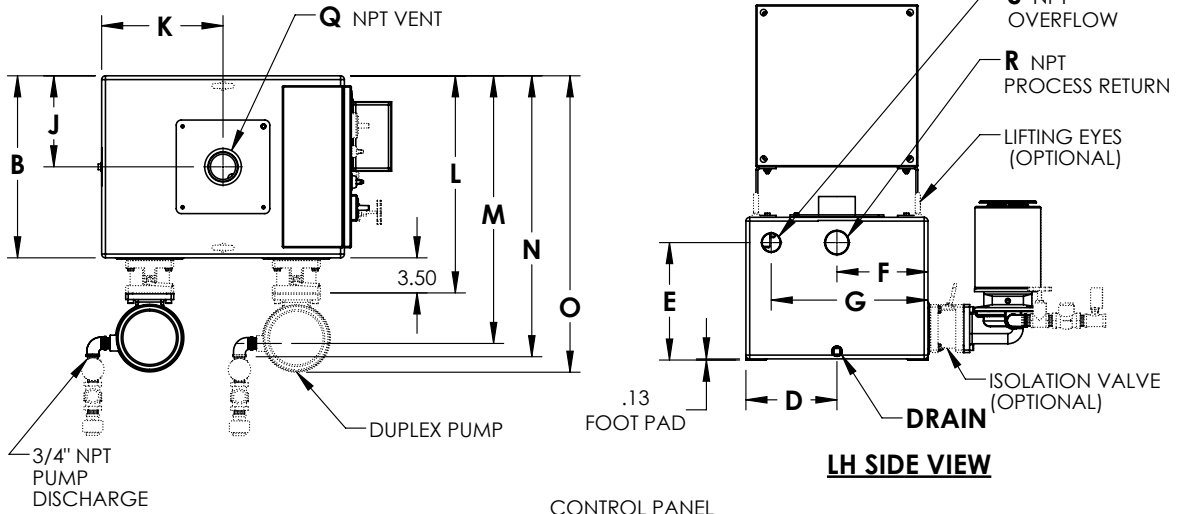
### Sample Specification

Furnish and install, where indicated on plans, a Sterling 4200 Series (simplex or duplex) condensate units, having a capacity of \_\_\_\_\_sq. ft. E.D.R. \_\_\_\_\_GPM against a discharge pressure of \_\_\_\_\_PSI. The receiver shall have a capacity of \_\_\_\_\_gallons and be of heavy-duty cast iron construction. Pump(s) shall be of the centrifugal type with two-piece enclosed brass impeller, cast iron housing, high temperature (250°F.) mechanical seal and stainless steel motor shaft. The float switch shall be two-pole with plastic case, stainless steel float and shaft, and double-break silver contacts. An optional inlet "Y" or basket strainer is recommended for installation on the tank return inlet for pump protection. The motor(s) shall be vertical, 3450 RPM, \_\_\_\_\_phase, \_\_\_\_\_volt, 60 cycle, \_\_\_\_\_H.P. The complete unit is to be factory assembled and tested prior to shipment.

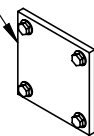
Product Diagrams



4200SER.G.CDSN.6

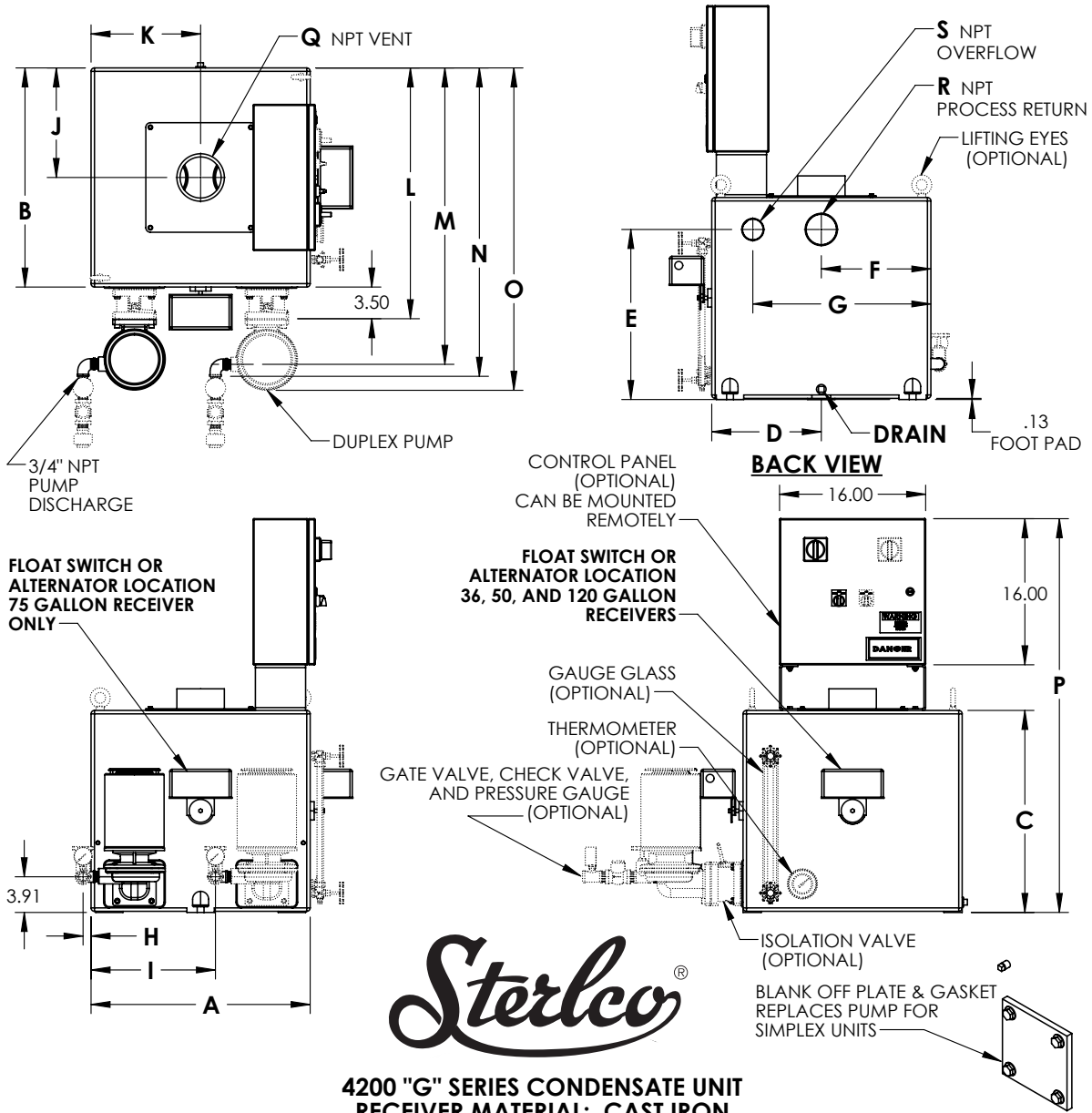


BLANK OFF PLATE & GASKET  
REPLACES PUMP FOR  
SIMPLEX UNITS

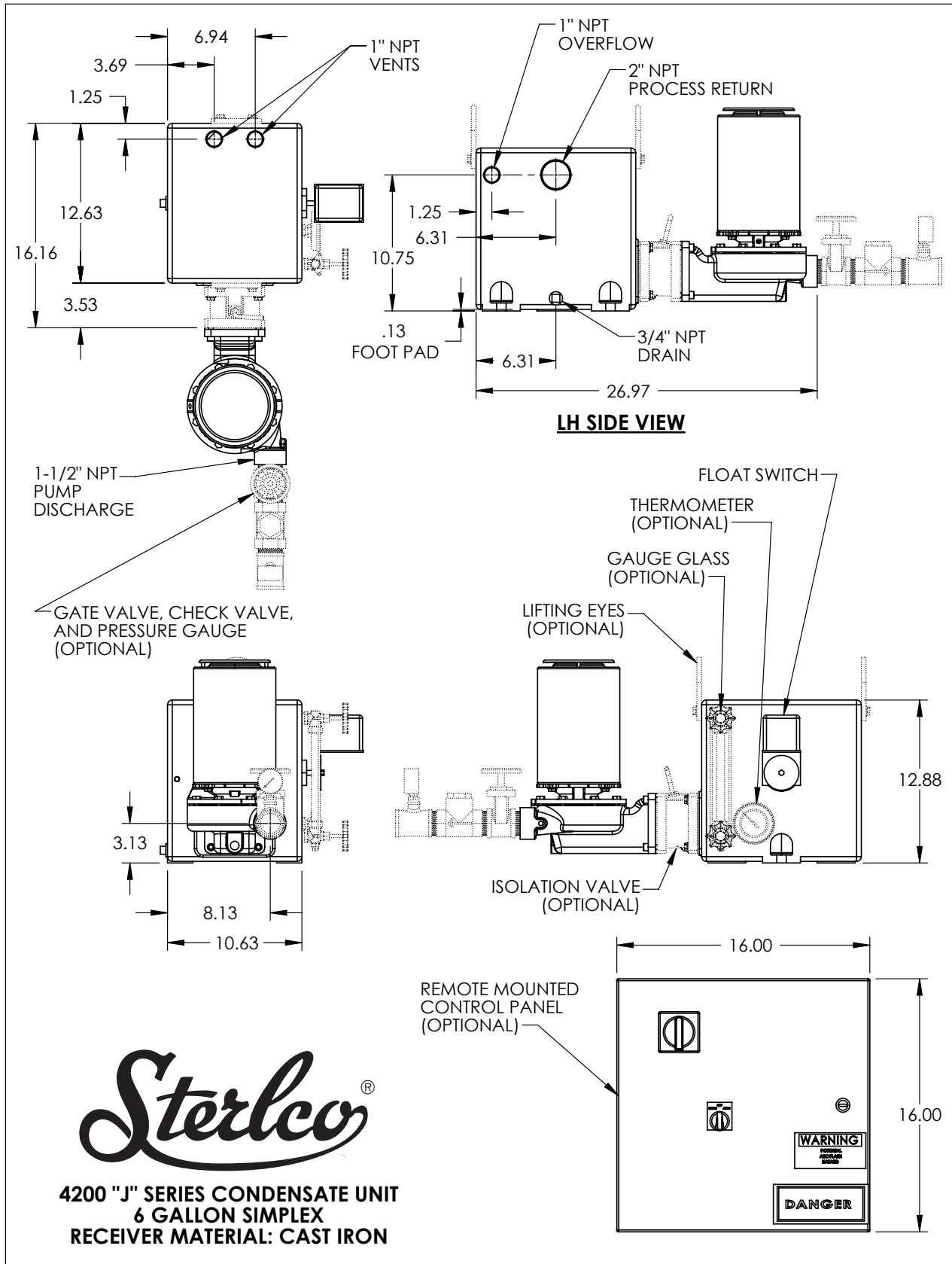


**4200 "G" SERIES CONDENSATE UNIT  
RECEIVER MATERIAL: CAST IRON**

| RECIEVER SIZE | A     | B     | C     | D     | E     | F     | G         | H           | I             | J       |
|---------------|-------|-------|-------|-------|-------|-------|-----------|-------------|---------------|---------|
| 15 GAL        | 18.00 | 14.50 | 14.13 | 7.25  | 11.63 | 7.25  | 11.81     | 1.88        | 8.63          | 7.25    |
| 24 GAL        | 24.00 | 18.00 | 14.13 | 9.00  | 11.63 | 9.00  | 15.50     | 0.88        | 13.63         | 9.00    |
|               | K     | L     | M     | N     | O     | P     | Q<br>VENT | R<br>RETURN | S<br>OVERFLOW | DRAIN   |
| 15 GAL        | 9.00  | 18.00 | 22.97 | 24.28 | 25.81 | 35.13 | 2-1/2"NPT | 2" NPT      | 1-1/2"NPT     | 3/4"NPT |
| 24 GAL        | 12.00 | 21.50 | 26.47 | 27.78 | 29.31 | 35.13 | 2-1/2"NPT | 2" NPT      | 1-1/2"NPT     | 3/4"NPT |

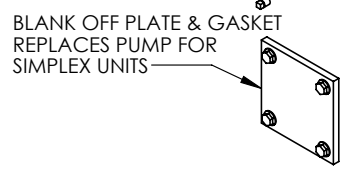
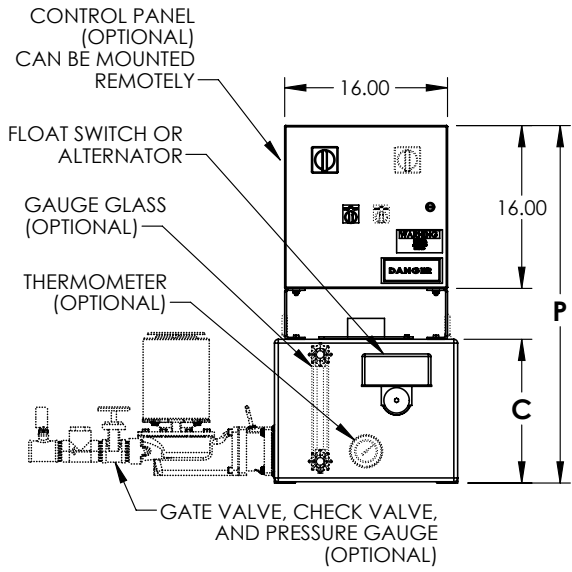
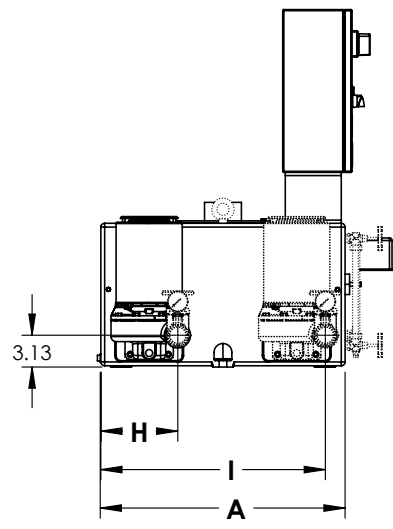
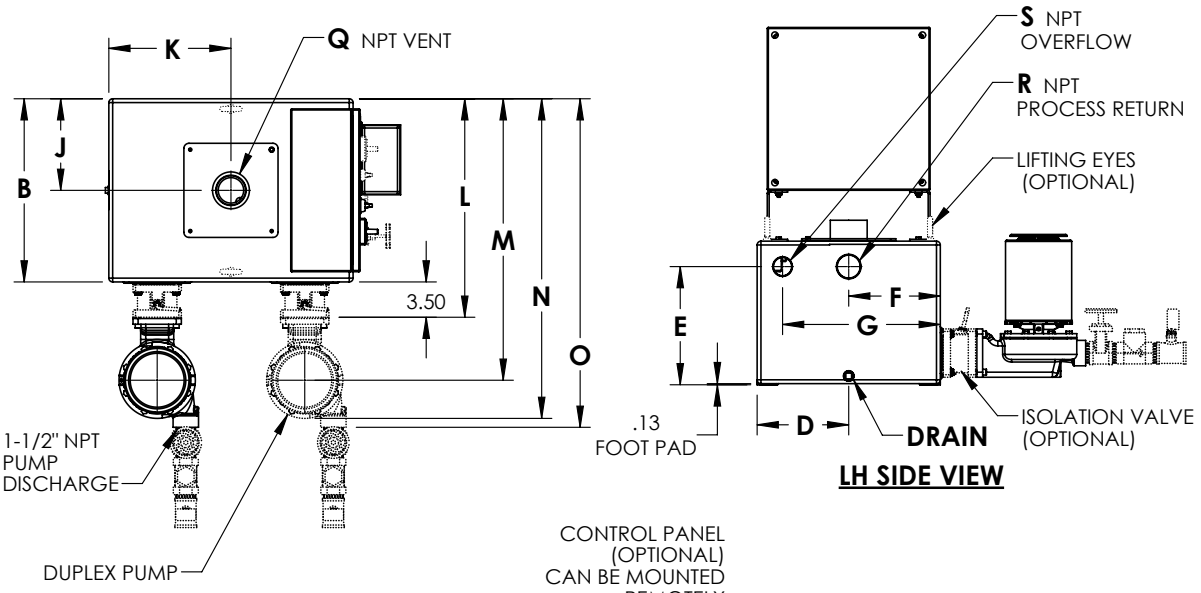


| RECEIVER SIZE | A     | B     | C     | D     | E     | F     | G      | H        | I          | J        |
|---------------|-------|-------|-------|-------|-------|-------|--------|----------|------------|----------|
| 36 GAL        | 24.00 | 24.00 | 16.13 | 12.00 | 12.63 | 12.00 | 19.50  | 0.88     | 13.63      | 12.00    |
| 50 GAL        | 24.00 | 24.00 | 22.13 | 12.00 | 18.63 | 12.00 | 19.50  | 0.88     | 13.63      | 12.00    |
| 75 GAL        | 30.00 | 30.00 | 21.19 | 15.00 | 16.19 | 15.00 | 26.00  | 1.63     | 20.38      | 15.00    |
| 120 GAL       | 36.00 | 36.00 | 22.19 | 18.00 | 18.69 | 18.00 | 30.00  | 0.63     | 25.38      | 18.00    |
|               | K     | L     | M     | N     | O     | P     | Q VENT | R RETURN | S OVERFLOW | DRAIN    |
| 36 GAL        | 12.00 | 27.50 | 32.47 | 33.78 | 35.31 | 37.13 | 3" NPT | 3" NPT   | 2" NPT     | 3/4" NPT |
| 50 GAL        | 12.00 | 27.50 | 32.47 | 33.78 | 35.31 | 43.13 | 4" NPT | 3" NPT   | 2" NPT     | 3/4" NPT |
| 75 GAL        | 15.00 | 33.50 | 38.47 | 39.78 | 41.31 | 42.19 | 4" NPT | 3" NPT   | 1" NPT     | 3/4" NPT |
| 120 GAL       | 18.00 | 39.50 | 44.47 | 45.78 | 47.31 | 43.19 | 4" NPT | 4" NPT   | 2" NPT     | 3/4" NPT |



*Sterlco*<sup>®</sup>

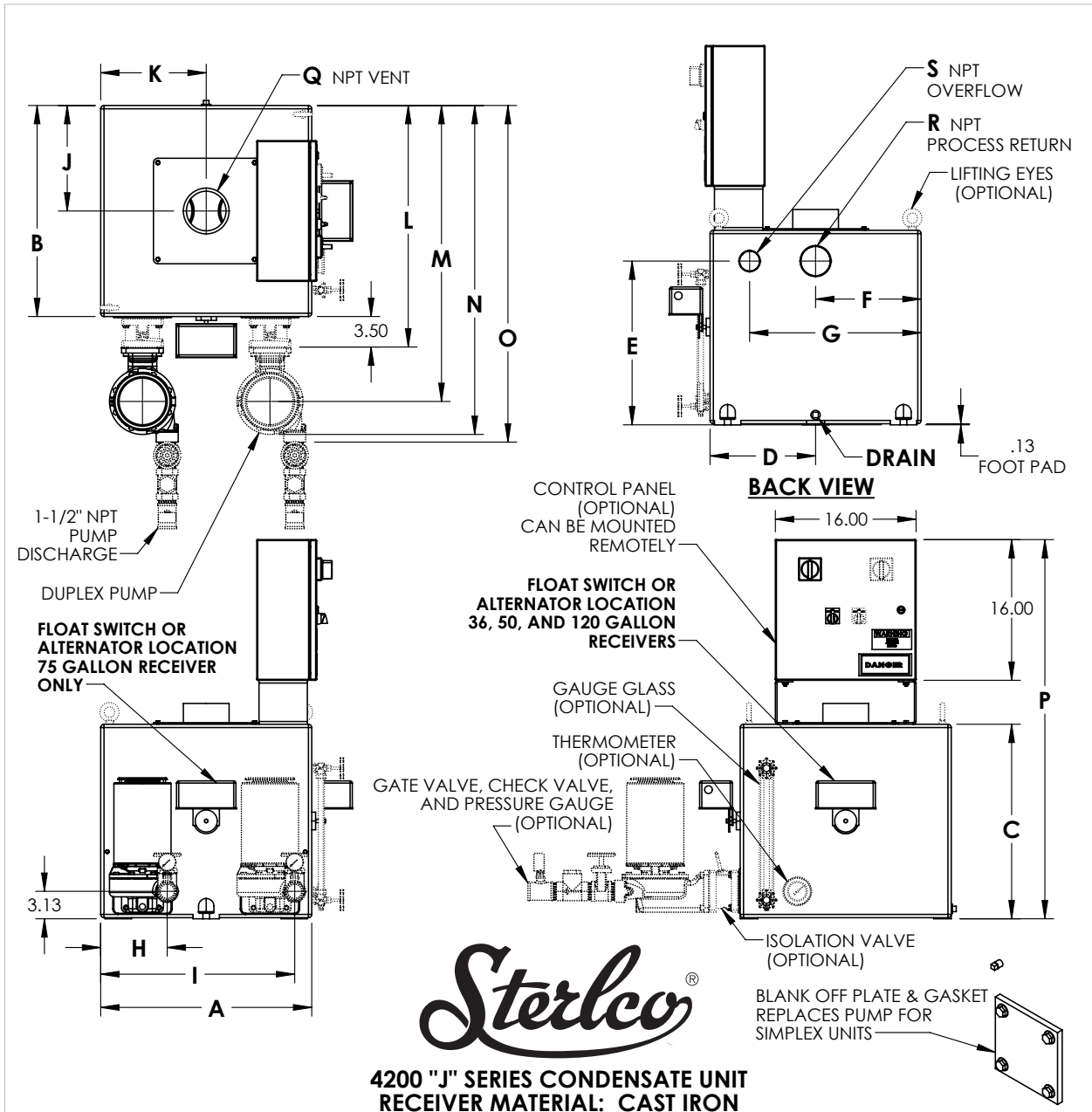
**4200 "J" SERIES CONDENSATE UNIT  
6 GALLON SIMPLEX  
RECEIVER MATERIAL: CAST IRON**



**4200 "J" SERIES CONDENSATE UNIT RECEIVER MATERIAL: CAST IRON**

| RECIEVER SIZE | A     | B     | C     | D     | E     | F     | G         | H      | I         | J       |
|---------------|-------|-------|-------|-------|-------|-------|-----------|--------|-----------|---------|
| 15 GAL        | 18.00 | 14.50 | 14.13 | 7.25  | 11.63 | 7.25  | 11.81     | 6.56   | 17.06     | 7.25    |
| 24 GAL        | 24.00 | 18.00 | 14.13 | 9.00  | 11.63 | 9.00  | 15.50     | 7.56   | 22.06     | 9.00    |
|               | K     | L     | M     | N     | O     | P     | Q         | R      | S         | DRAIN   |
|               |       |       |       |       |       |       | VENT      | RETURN | OVERFLOW  |         |
| 15 GAL        | 9.00  | 18.00 | 24.16 | 27.91 | 28.78 | 35.13 | 2-1/2"NPT | 2" NPT | 1-1/2"NPT | 3/4"NPT |
| 24 GAL        | 12.00 | 21.50 | 27.66 | 31.41 | 32.28 | 35.13 | 2-1/2"NPT | 2" NPT | 1-1/2"NPT | 3/4"NPT |





**4200 "J" SERIES CONDENSATE UNIT RECEIVER MATERIAL: CAST IRON**

| RECEIVER SIZE | A     | B     | C     | D     | E     | F     | G      | H        | I          | J        |
|---------------|-------|-------|-------|-------|-------|-------|--------|----------|------------|----------|
| 36 GAL        | 24.00 | 24.00 | 16.13 | 12.00 | 12.63 | 12.00 | 19.50  | 7.56     | 22.06      | 12.00    |
| 50 GAL        | 24.00 | 24.00 | 22.13 | 12.00 | 18.63 | 12.00 | 19.50  | 7.56     | 22.06      | 12.00    |
| 75 GAL        | 30.00 | 30.00 | 21.19 | 15.00 | 16.19 | 15.00 | 26.00  | 6.81     | 28.81      | 15.00    |
| 120 GAL       | 36.00 | 36.00 | 22.19 | 18.00 | 18.69 | 18.00 | 30.00  | 7.81     | 33.81      | 18.00    |
|               | K     | L     | M     | N     | O     | P     | Q VENT | R RETURN | S OVERFLOW | DRAIN    |
| 36 GAL        | 12.00 | 27.50 | 33.66 | 37.41 | 35.31 | 37.13 | 3" NPT | 3" NPT   | 2" NPT     | 3/4" NPT |
| 50 GAL        | 12.00 | 27.50 | 33.66 | 37.41 | 35.31 | 43.13 | 4" NPT | 3" NPT   | 2" NPT     | 3/4" NPT |
| 75 GAL        | 15.00 | 33.50 | 39.66 | 43.41 | 44.28 | 42.19 | 4" NPT | 3" NPT   | 1" NPT     | 3/4" NPT |
| 120 GAL       | 18.00 | 39.50 | 45.66 | 49.41 | 50.28 | 43.19 | 4" NPT | 4" NPT   | 2" NPT     | 3/4" NPT |

4200SER.J.CDSN.36-120