

GAST/JUN-AIR

GAST MFG, INC. & JUN-AIR
 A Unit of IDEX Corporation
 Post Office Box 97
 Benton Harbor, Michigan 49022 U.S.A.
 Ph: 269/926-6171
 Fax: 269/925-8288

PART NUMBER: RTD1067
 REVISION: D

PRODUCT SPECIFICATIONS

MODEL NO.	MOTOR	RPM		AMPS		HP	kW	NET WT.		CAPACITOR	
		60Hz	50Hz	60Hz	50Hz			lbs.	kg	mfcd.	VOLT
120R689-P101-N800NX	200-240V; 60Hz 200-230V; 50Hz	1725	1425	10	8	2.0	1.49	59	26.8	60	440

SOUND LEVEL LESS THAN 75 dB(A)

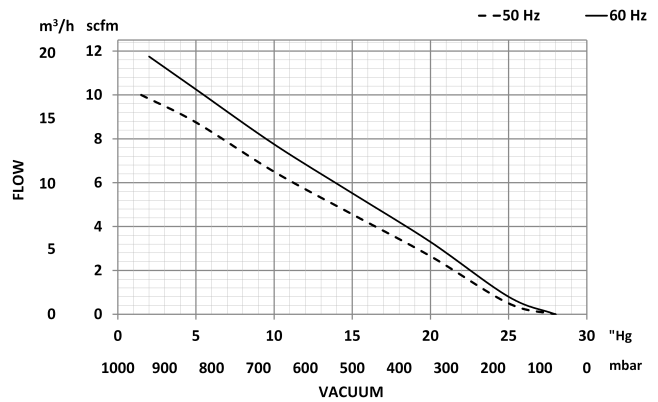
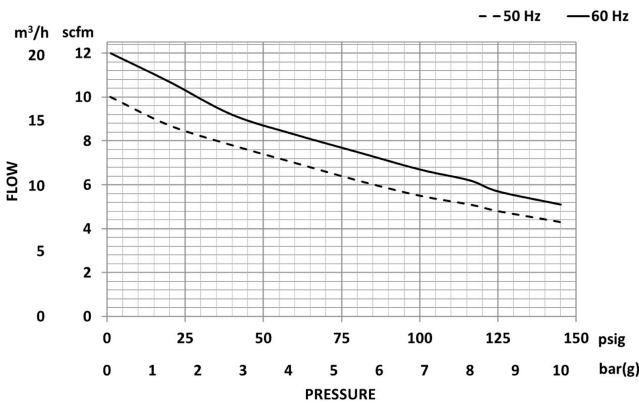
NORMAL AMBIENT +5 °C to +40 °C

RELATIVE HUMIDITY 20% - 80%

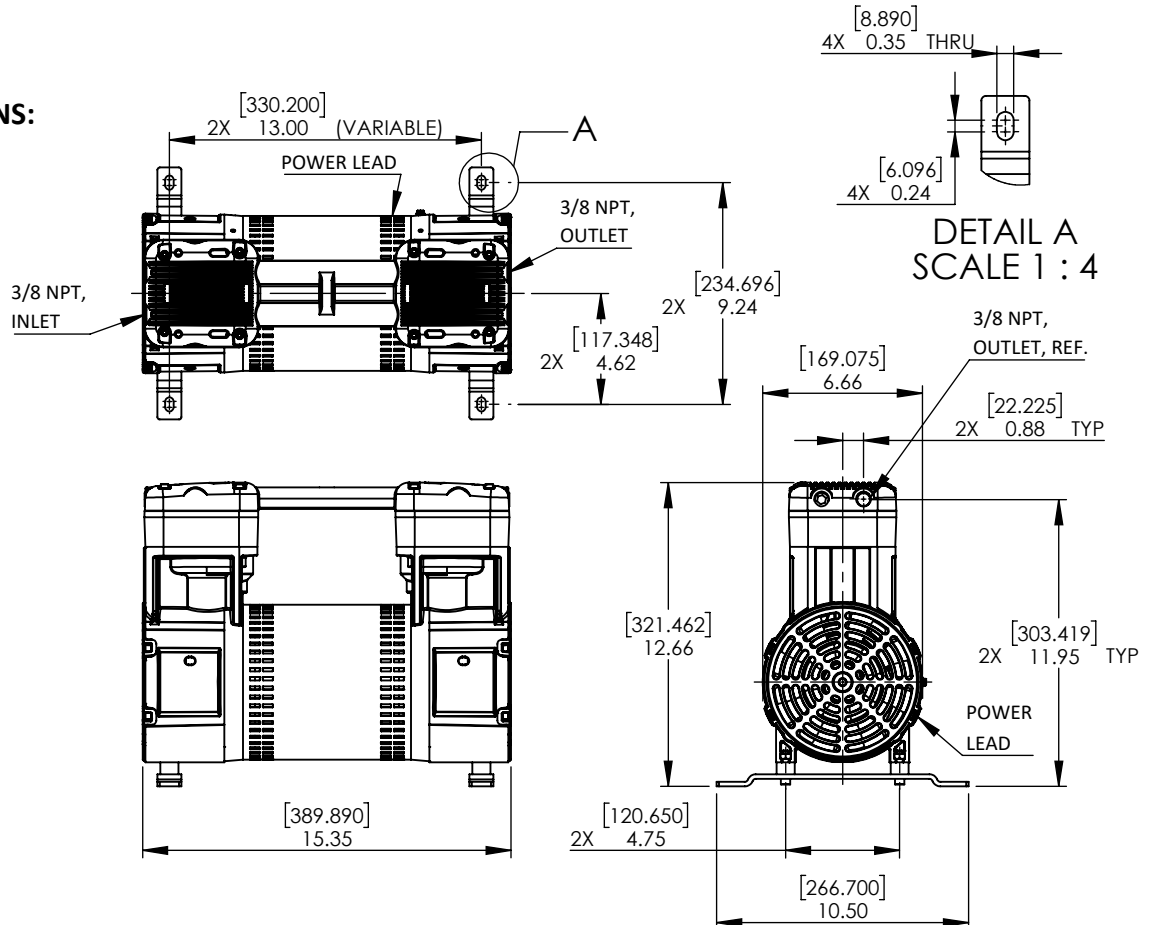
NOTES:

1. TECHNICAL DATA SUBJECT TO CHANGE WITHOUT NOTICE.
2. ALL DIMENSIONS ARE FOR REFERENCE ONLY.
3. CAPACITOR AND FILTER SHIPPED UNATTACHED.

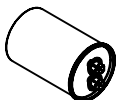
PRODUCT PERFORMANCE:



PRODUCT DIMENSIONS:



FILTER,
UNATTACHED



CAPACITOR,
UNATTACHED