



GAST MANUFACTURING, INC.  
 A Unit of IDEX Corporation  
 Post Office Box 97  
 Benton Harbor, Michigan  
 Ph: 269/926-6171  
 Fax: 269/925-8288

PART NUMBER:

RTD778

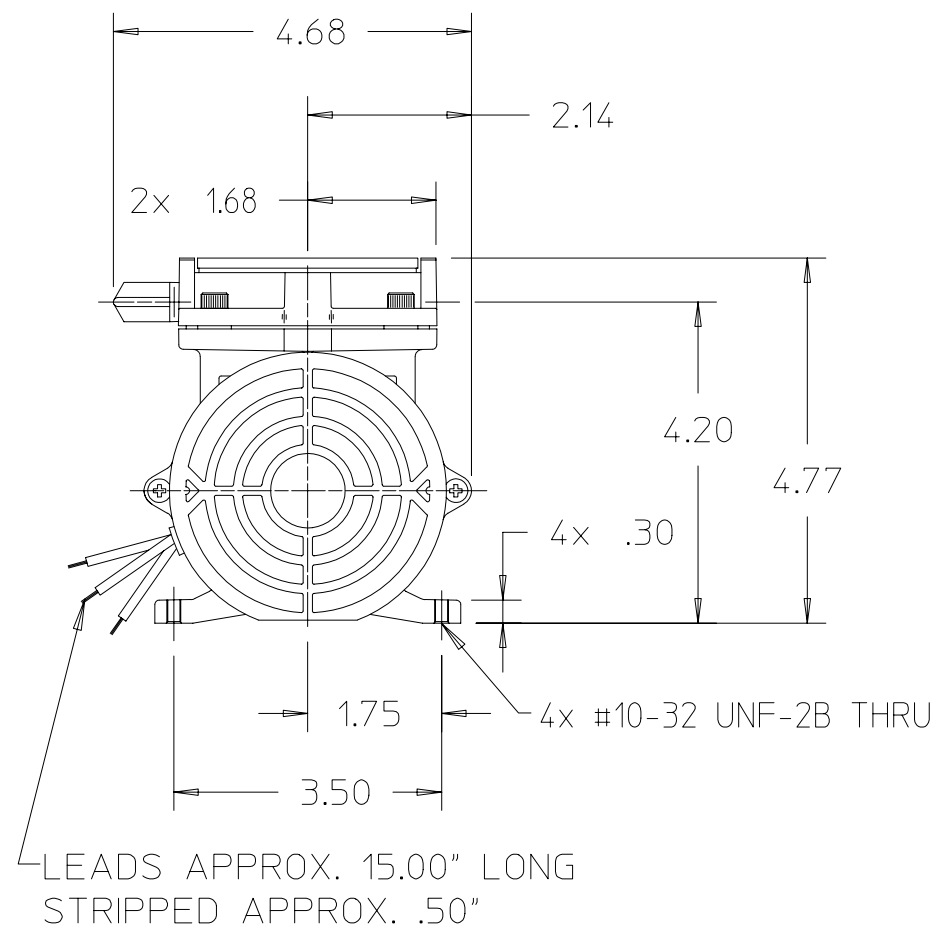
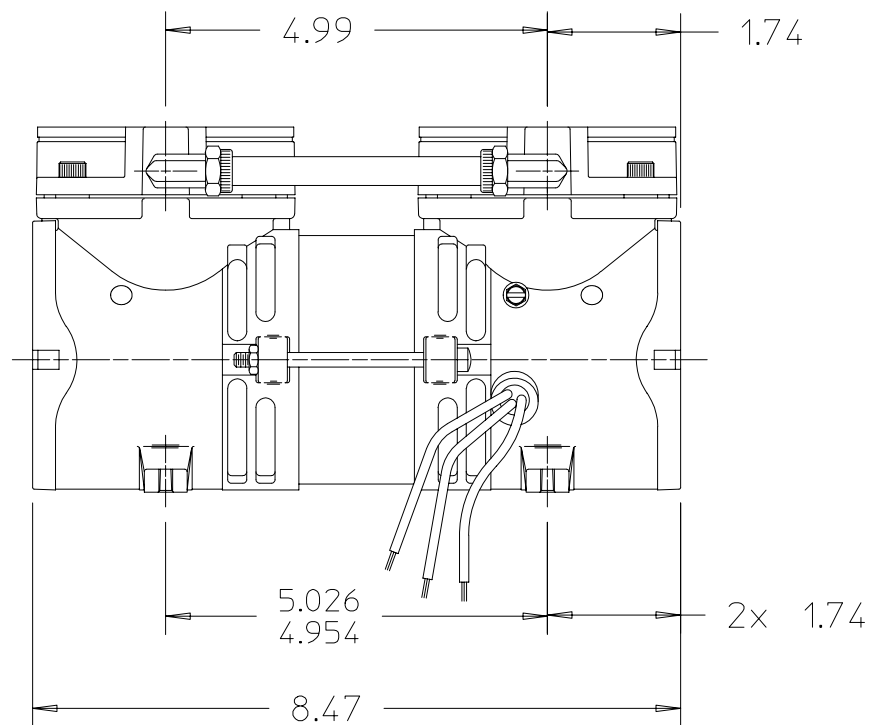
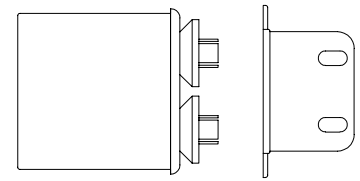
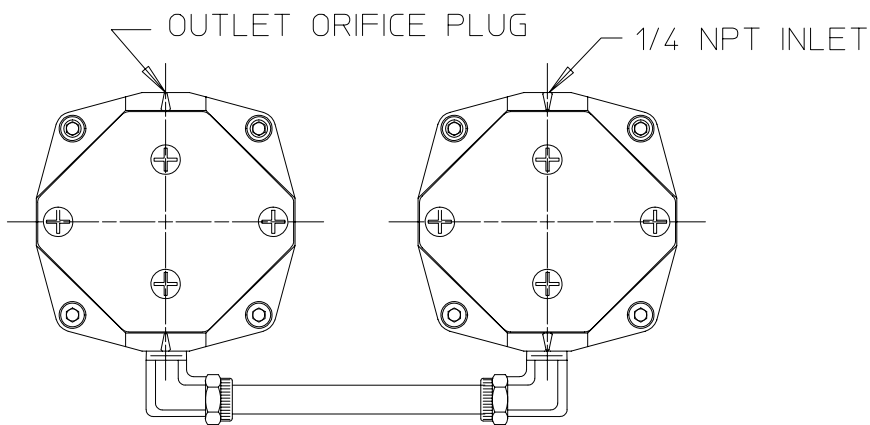
REV.:

A

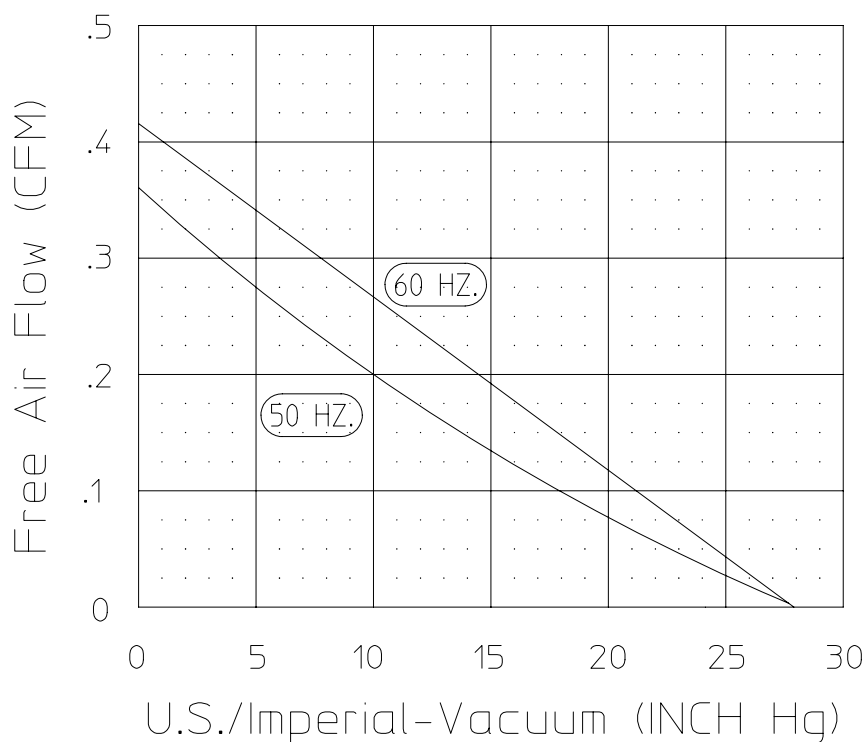
NOTES:

1. TECHNICAL DATA SUBJECT TO CHANGE WITHOUT NOTICE.
2. INSTALLATION: THIS PUMP MUST BE INSTALLED IN AN ENCLOSURE.

SOUND LEVEL Less Than 70 dB(A)  
 NORMAL AMBIENT +5 degC - +40 degC  
 RELATIVE HUMIDITY 20% - 80%  
 ENVIRONMENT Clean Dust Free



Product Performance



Product Specifications

| Model Number | Motor   | RPM      |          | HP   | kW   | Net Wt. |      | AMPS | CAPACITOR<br>mfd. - volts |
|--------------|---------|----------|----------|------|------|---------|------|------|---------------------------|
|              |         | 60 cycle | 50 cycle |      |      | lbs.    | kg   |      |                           |
| MAA-V109-HD  | 230/220 | 1575     | 1275     | 1/16 | 0.05 | 8       | 3.64 | .74  | 5 - 370                   |