

Product: **Silicone Rubber Keyboard**

Typenumber: **HT RKTE85x2049-W-MC1**
 Where x is either: S = Desktop mount, B = Panel mount

Last Revised: **14 Sep 2020**
 Revision#: **03**

Silicone Rubber Keyboard

Description:

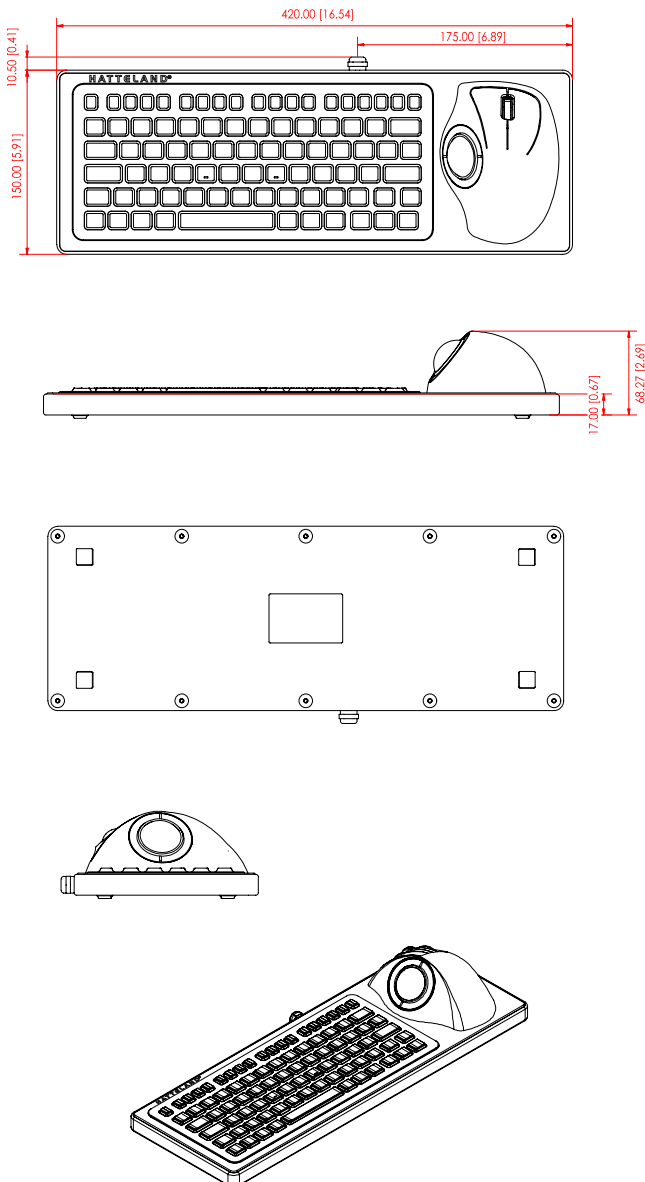
The HATTELAND® Full travel rubber Keyboard with 85 keys features a compact rubber keyboard with integrated waterproof ergonomic trackball. The backlit keys warrant for optimized performance while working in low-light environments. Panel mount and desktop version available.

Features:

Compact layout:	85 full travel rubber keys
Backlight:	Dimmable backlight at 8 levels by two dedicated keys (FN Key + arrow up/down)
LED:	Low power LED's warrant for a long life
Test and certificate:	Certificate of Conformity fully compliant with IEC60945
Power requirements:	Powered directly from USB port
Trackball:	38mm waterproof ergonomic trackball with hall-effect scroll wheel, Removable for easy cleaning
Power:	No external power supply necessary, keyboard connector power sufficient

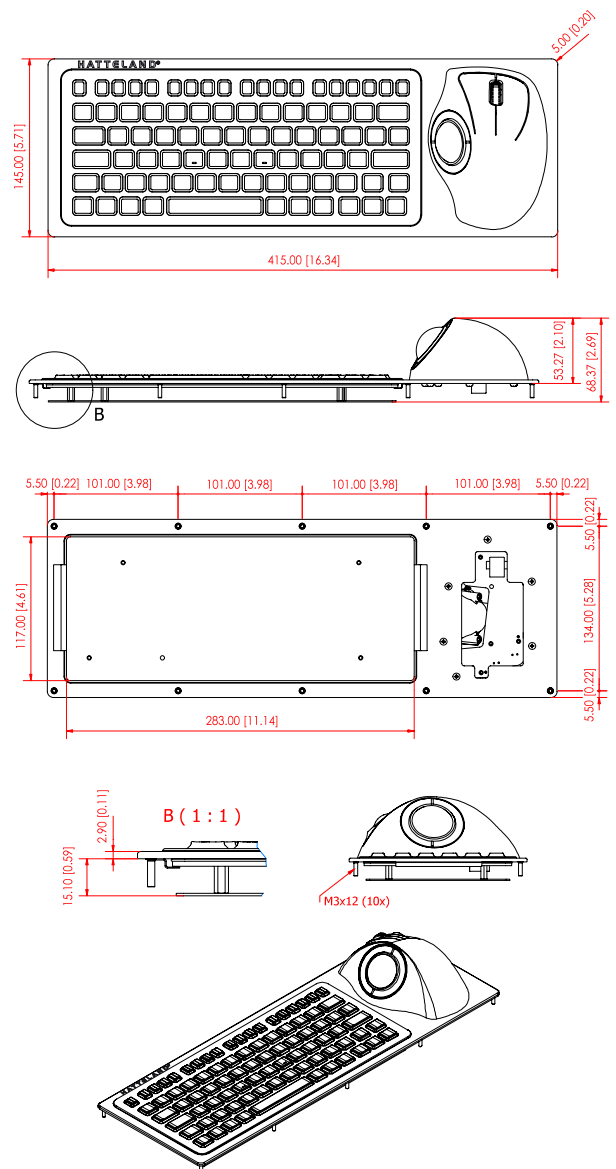
Illustrations for desktop mount

HT RKTE85**S**2049-W-MC1



Illustrations for panel mount

HT RKTE85**B**2049-W-MC1



Dimensions might be shown with or without decimals and indicated as mm [inches]. Tolerance on drawings is +/- 1mm. For accurate measurements, check relevant DWG file.

TECHNICAL DESCRIPTION

Technical Specifications:

Sealing:	IP67 sealed
Keys:	85 full travel rubber keys
Pointing Device:	38.10 [1.50] mm [inch] optical trackball
Power requirements:	Directly from USB port
Output:	1 x 1.6m USB cable
Operating temperature:	0.0°C / 32.0°F to +70.0°C / 158.0°F
Storage temperature:	-40.0°C / -40.0°F to +85.0°C / 185.0°F
Compass Safe Distance:	Standard: 56.00 [22.05] - Steering: 41.00 [16.14] cm [inch]
Switch force:	300 grams ±100grams
Switch stroke:	1.5mm
Lifetime switches:	1 million actuations

Trackball Specifications:

Ball Size:	Ø38.1mm (1.5")/Epoxy resin
Tracking force:	20-40grams - PTFE seal
Ball load:	100N (10.0 kg / 22.0lbs) maximum downward pressure for 2 minutes @ 20.0°C / 68.0°F
Resolvable ball speed:	30 IPS (inches per second)
Tracking engine:	Infra-red optical navigation technology
Removable ring:	PC/ABS, black

Scroll Wheel Specifications:

Wheel diameter:	Ø25mm
Wheel Material:	PC/ABS
Wheel color:	Grey
Encoding technology:	Hall effect
Magnet strength:	N42
Detent-scrolling force:	30 grams nominal
Switch actuation force:	275 ± 100 grams force

Physical Specifications:

Desktop mount dimensions:	L:420.00 [16.54] x H:150.00 [5.91] x D:68.27 [2.69] mm [inch]
Desktop mount Weight:	0.6 kg / 1.3lbs
Panel mount dimensions:	L:415.00 [16.34] x H:145.00 [5.71] x D:68.37 [2.69] mm [inch]
Panel mount weight:	7.0 kg / 15.4lbs

Illustrations for desktop mount

HT RKTE85S2049-W-MC1



Illustrations for panel mount

HT RKTE85B2049-W-MC1



APPROVALS & CERTIFICATES

These products have been tested / type approved by the following classification societies:
IEC 60945 4th (EN 60945:2002) **IACS E10** **IEC 60092-504 3rd**