

Product: **Silicone Rubber Keyboard**

Typenumber: **HT RKCT92x2034-W-MC1**
Where x is either: S = Desktop mount, F = Panel mount

Last Revised: **14 Sep 2020**
Revision#: **03**

Silicone Rubber Keyboard

Description:

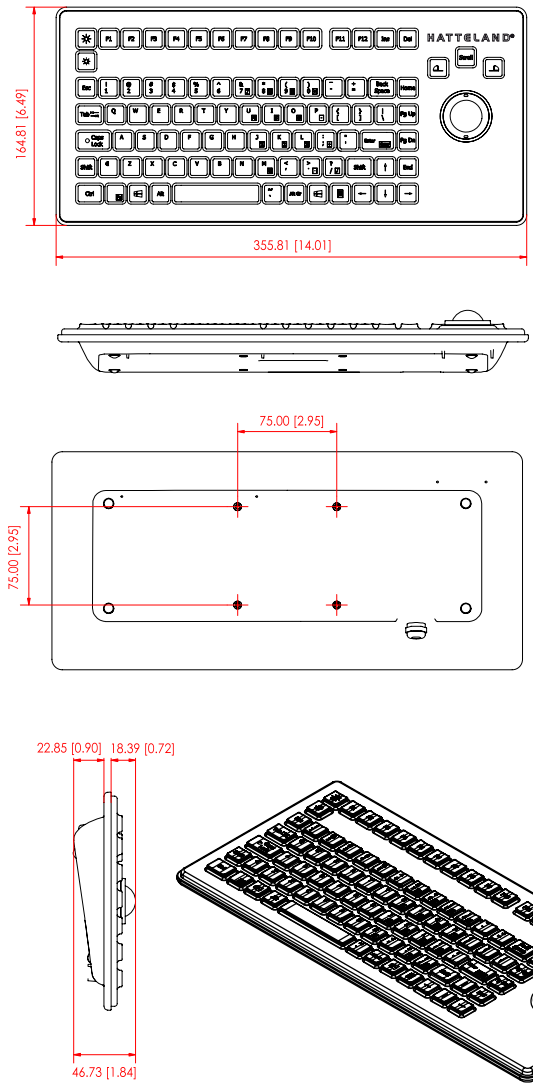
The HATTELAND® Full travel rubber Keyboard. This 92 key backlit keyboard features a compact keyboard with integrated waterproof 25 mm trackball and scroll function. The rubber keys are proven for efficient cleaning, reduced disinfection time and protection against cross contamination. The backlit keys warrant for optimized performance while working in low-light environments.

Features:

Compact layout:	92 full travel rubber keys
Backlight:	Dimmable backlight at 8 levels by two dedicated keys
LED:	Low power LED's warrant for a long life
Test and certificate:	Certificate of Conformity fully compliant with IEC60945
Power requirements:	Powered directly from USB port

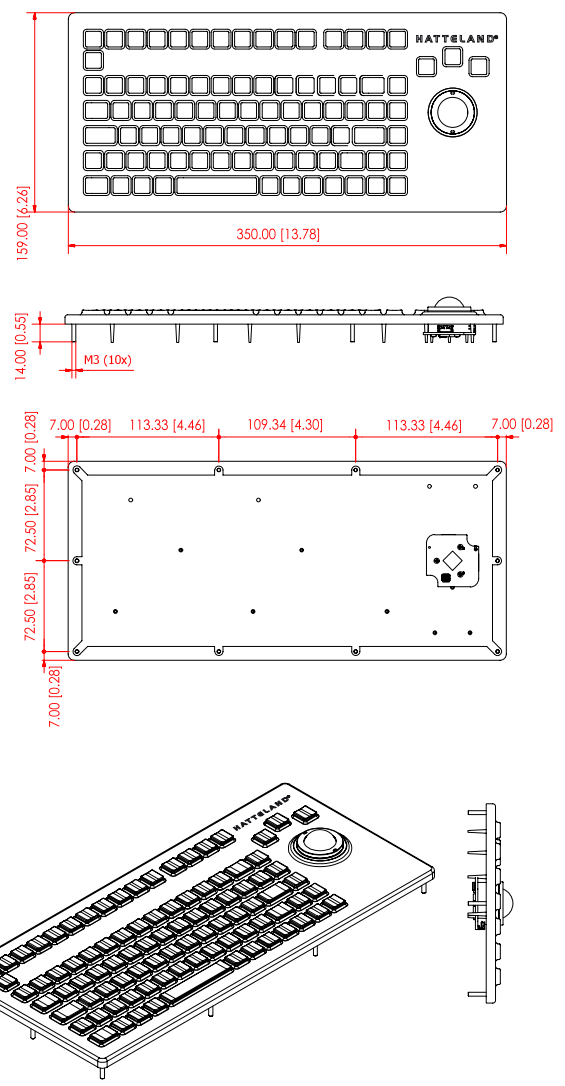
Illustrations for desktop mount

HT RKCT92S2034-W-MC1



Illustrations for panel mount

HT RKCT92F2034-W-MC1



Dimensions might be shown with or without decimals and indicated as mm [inches]. Tolerance on drawings is +/- 1mm. For accurate measurements, check relevant DWG file.

TECHNICAL DESCRIPTION

Technical Specifications:

Sealing:	IP67 sealed
Keys:	92 full travel rubber keys
Pointing Device:	25.00 [0.98] mm [inch] optical trackball
Power requirements:	Directly from USB port
Output:	1 x 1.8m. USB cable (panel mount) 1 x 1.6m. USB cable (enclosed)
Operating temperature:	0.0°C / 32.0°F to +60.0°C / 140.0°F
Compass Safe Distance:	Standard: 5.00 [1.97] - Steering: 5.00 [1.97] cm [inch]
Switch force:	210 grams
Switch stroke:	2mm

Physical Specifications:

Desktop mount dimensions:	L:354.50 [13.96] x H:163.50 [6.44] x D:38.60 [1.52] mm [inch]
Desktop mount Weight:	0.8 kg / 1.8lbs
Desktop VESA mount:	VESA 75/75
Panel mount dimensions:	L:350.00 [13.78] x H:159.00 [6.26] x D:36.00 [1.42] mm [inch]
Panel mount weight:	0.6 kg / 1.3lbs

Illustrations for desktop mount

HT RKCT92S2034-W-MC1



Illustrations for panel mount

HT RKCT92F2034-W-MC1



APPROVALS & CERTIFICATES

These products have been tested / type approved by the following classification societies:

IEC 60945 4th (EN 60945:2002)

IACS E10

IEC 60092-504 3rd

DNV 2.4