

**Manufacturer:** Hatteland Technology AS  
**Product:** HATTELAND® SeaHawk - IP Camera  
**Typenumber:** HT FDFL xA-X3  
 where x = housing material/color  
**Description:** SeaHawk FixedDome, IP Camera

**Last Revised:** 08 Dec 2020  
**Revision#:** 02

## SeaHawk FixedDome - IP Camera

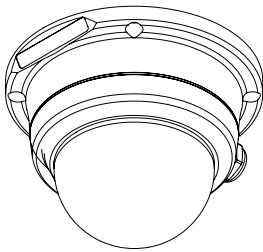
### Description:

HATTELAND® SeaHawk IP Camera from Hatteland Technology is the perfect IP camera solution with full HD resolution at 30fps. The camera housing is constructed in sturdy POM material or Aluminum material.

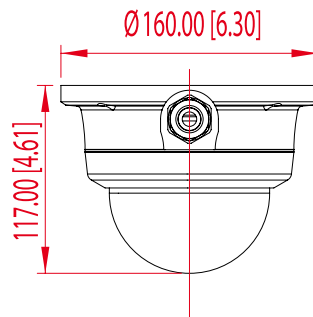
PoE - Power over Ethernet, Stream compression H265/H264, Motion Detection, No sharp edges  
 Designed to meet IEC60945 and IP66/IP67, Mounting Options: Ceiling/Wall  
 Day/night mode, Infrared LEDs 10 pcs

### HT FDFL AA-X3 - Mounted w/ Cable gland in rear

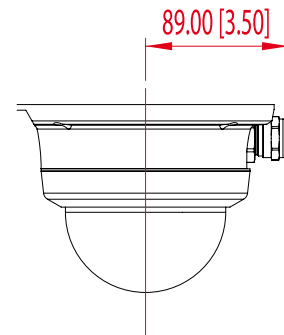
DIMETRIC VIEW



BACK VIEW

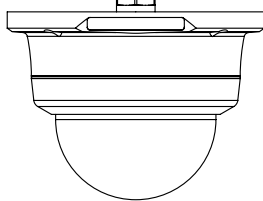


SIDE VIEW

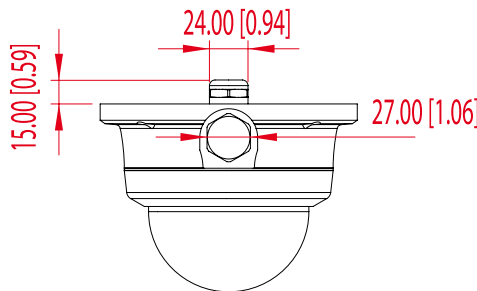


### HT FDFL AA-X3 - Mounted w/ Cable gland on bottom:

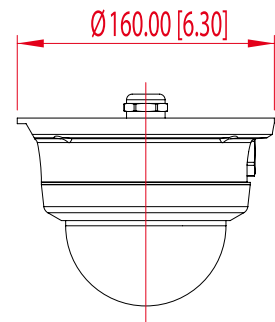
FRONT VIEW



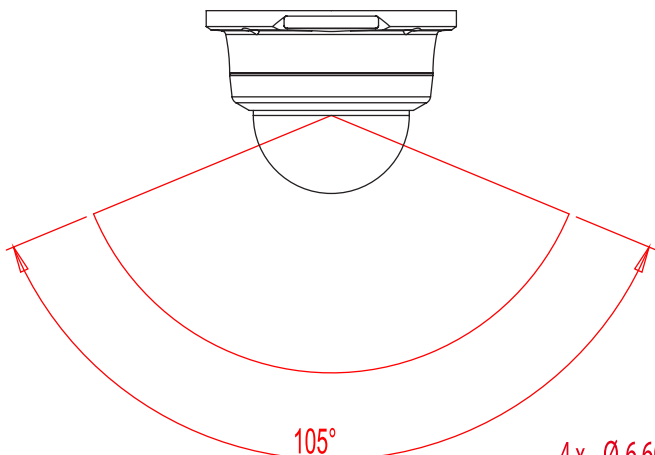
BACK VIEW



SIDE VIEW

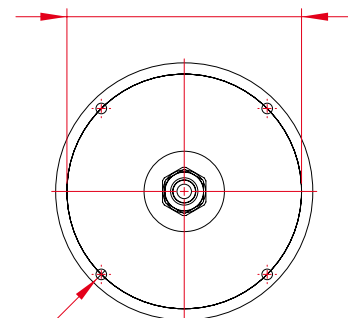


ANGLE OF VIEW



BOTTOM VIEW

Ø146.00 [5.75] Pitched Center Diameter



4 x Ø 6.60 [0.26] THRU ALL

Ø11.00 [0.43] 8.00 [0.31]

## TECHNICAL DESCRIPTION

### Technical Specifications:

• Image Sensor	1/2.8" Progressive Scan CMOS
• Lens Type	Fixed lens, IR cut filter
• Zoom	N/A
• Focal Length	f=2.8mm
• Maximum Aperture Ratio	F1.8
• Angle of View	H: 105°, V: 87°
• Electronic Shutter View	1/1 ~ 1/10000 sec
• Flip Mode	Horizontal, Vertical
• Image Enhancement	AF, AWB, AE, NR, TDN, DSS, BLC, GAMMA, DPC, DEFOG, WDR, IR LED (10pcs)

### Video Specifications:

• Compression	H265 / H264 / MJPEG
• Frame Rate	Max 30fps @ 1920 x 1080
• Bitrate	Primary: 32Kbps ~ 16Mbps. Secondary: 32Kbps ~ 4Mbps
• Resolutions	352 x 240 ~ 1920 x 1080
• Streaming	Primary: H265 / H264, Secondary: H265 / H264 / MJPEG
• Burn-in OSD	Multi-lingual

### Network Specifications:

• Interface	1 x Ethernet 10/100base-T (RJ-45)
• Protocol	IPv4/v6, TCP, UDP, IGMP (MULTICAST), ICMP, DHCP, HTTP, HTTPS, RTP, RTPS, FTP, SNMP, UPnP, WS-Discovery, Zero-configuration, NTP, DDNS
• Security	Password protection, IP address filtering, HTTPS encryption
• API	ONVIF, PSIA, MPEG-TS

### Event and General Specifications:

• Event Sources	Motion, Sensor Input, Client disconnection
• Event Actions	Notification (E-mail), FTP, Alarm control, Recording
• Housing	POM (Polyoxymetylen), RAL 5012 (ring)
• Certification	Designed to meet IEC60945, IP66/IP67
• Power Supply	PoE: 802.3af via RJ-45
• Power Consumption	6W (max)
• Operating Temperature	-40°C to +65°C
• Storage Temperature	TBD

### Physical Specifications:

• Dimensions	W:153.00 [6.02"] x H:105.00 [4.13"] x D:201.00 [7.91"] mm [inch]
• Weight	1.15kg / 2.5lbs
• Pigtail Cable	2.5 [8.20] m [ft], Cat5e STP, RJ-45 terminated

### Contents of Package:

• 1 x HT FDFL xA-X3 Camera
• 1 x IND105044-1 (Quick Start Guide)
• 1 x LD-001 (IP67 coupler for patch cable, 2 x RJ-45 female-to-female)
• TBD

### Available Models:

• HT FDFL AA-X3	SeaHawk FixedDome POM Black, RAL TBD
• HT FDFL WA-X3	SeaHawk FixedDome ALU. White, RAL9010

### Accessories:

• LD-001	IP67 coupler for patch cable, 2 x RJ-45 female-to-female
----------	--