



VIBRATOR CONTROLLER 240/415V

UV11/D

X10356

INTRODUCTION

This dual voltage half-wave vibrator controller can be set to operate at either 240V or 415Vac line voltage. The unit can be calibrated to accept a wide range of voltage or current control signals. Alternatively a potentiometer can be fitted for manual vibration control. The controllers are fitted with a 26A high current device and RC snubber network to maximise the performance on inductive loads

APPLICATIONS

Most half wave AC vibrator loads such as Bowl feeders and Linear screen vibrators.

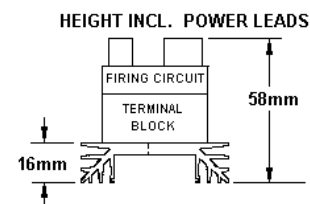
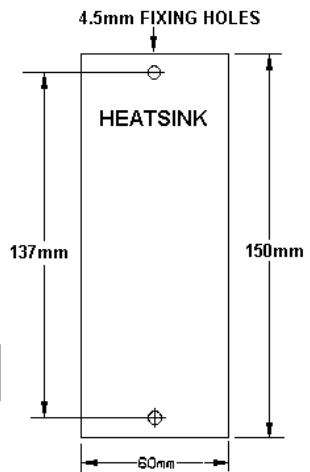
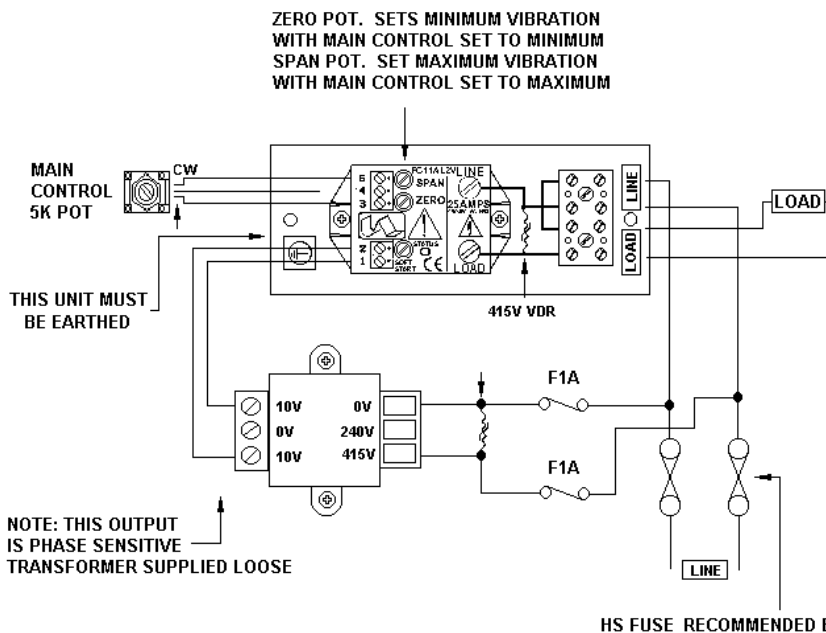
FEATURES

- Solid state reliability.
- Built in Heatsink
- Simple wiring.
- Rugged and compact
- Energy Saving.



INSTALLATION

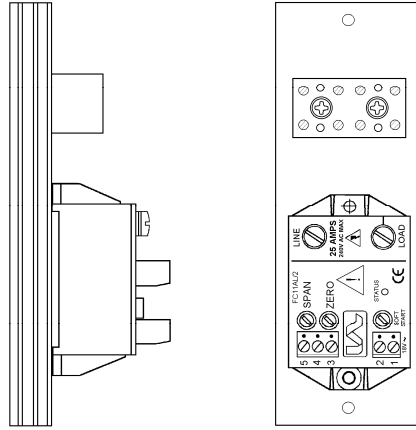
WARNING
ISOLATE FROM SUPPLY BEFORE COMMENCING ANY SERVICING WORK
NOTE: EXAMPLE SHOWN FOR 415VAC SUPPLY



INSTALLATION

COOLING REQUIREMENT

THIS UNIT SHOULD BE MOUNTED VERTICALLY TO AID AIR FLOW



SPECIFICATIONS

Signal Span minimum	0-5V dc	AC input power (1 & 2)	12 to 18V ac @ 65mA
Signal span maximum	0-25V dc	Auxiliary output (5)	5Vdc
Signal zero offset	0-30% of span	Triac limiting RMS current	26A
Signal input resistance	5000 ohms \pm 20%	AC line voltage 50/60 Hz	240V or 415V
Manual potentiometer	2K, 5K or 10K	Peak single cycle surge current	250A
I ² t for fusing (10m sec)	250 A ² s	Power consumption	1.7W
Soft start time constant	0-20 seconds	Max. Peak voltage	600V
Isolation voltage	2500 Vrms	Current rating	11A
Max. Working temperature	65°C operational	Storage temperature	-20°C to +85°C

FUSING

It is recommended to use semiconductor (fast acting) type fuses or circuit breakers (Semiconductor - MCB) for unit protection. On initial 'switch on' some loads may need an increased factor of safety (F of S) for unit and/or device protection. (See SRA Datasheet for further information).

CE MARKING

This product family carries a "CE marking". This controller needs a suitable remote filter. For information see recommendation section and contact our sales desk. (See Declaration of Conformity).

RECOMMENDATIONS

Other documents available on request, which may be appropriate for your application:-

CODE	IDENTITY	DESCRIPTION
X10229	RFI	Filtering recommendations - addressing EMC Directive
X10213	ITA	Interaction, uses for phase angle and for burst fire control.
X10255	SRA	Safety requirements - addressing the Low Voltage Directive (LVD) including:- Thermal data/cooling ; "Live" parts warning & Earth requirements; Fusing recommendations.
AP02/4	COS	UAL Conditions of sale.

NOTE It is recommended that installation and maintenance of this equipment should be done with reference to the current edition of the I.E.E. wiring regulations (BS7671) by suitably qualified/trained personnel. The regulations contain important requirements regarding safety of electrical equipment (For International Standards refer to I.E.C. directive IEC 950).

ORDER CODE

State part number: UV11/D 240/415V



UNITED AUTOMATION LIMITED

Southport Business Park
Wight Moss Way
Southport, PR8 4HQ
ENGLAND

Tel: 0044 (0) 1704 – 516500
Fax: 0044 (0) 1704 – 516501
enquiries@united-automation.com
www.united-automation.com

Page No. 2 of 2

Issue 2

Date 18/07/02



015