

lubrication systems



PMOPMG MANUAL PUMPS

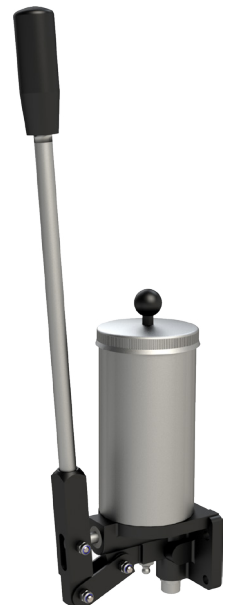


TABLE OF CONTENTS

REV01082018

Manual pumps PMO-PMG	3
Overall dimensions (PMO-PMG)	4



All ILC products must only be used for their intended purposes, as specified in this brochure and in all instructions. If the product is supplied together with user instructions, the user is required to read them and comply with them. Not all lubricants are suitable for centralised lubrication systems. ILC lubrication systems or relative components cannot be used together with gas, liquid gas, pressurised gas in solution and liquids with vapour pressure exceeding normal atmospheric pressure (1013 bar) by more than 0.5 bar, maximum temperature permitted. Any type of dangerous materials, in particular those classified as such by European Community Directive (EC) 67/548/EEC, Article 2 (2), can only be used in ILC centralised lubrication systems or relative components upon consultation with ILC and after having received written approval from the company.

PMO-PMG

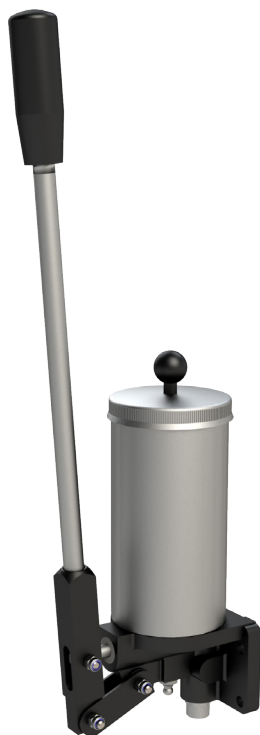


PMO (oil) and PMG (grease) manual pumps with a metal tank are intended for the provision of oil and grease lubrication systems where progressive dividers are used.

The pump body is made of light alloy and houses the steel pumping piston operated by a vertical lever.

The PMO pump is provided with a lubricant tank at the top with relative cap and inlet filter. The PMG pump is provided with a lubricant tank at the top with a relative presser disc, and the PMG-10 model is provided with a compression spring.

An adjustable safety valve protects the pump and the components from overpressure. The lubricant leaking from the valve indicates a system block.

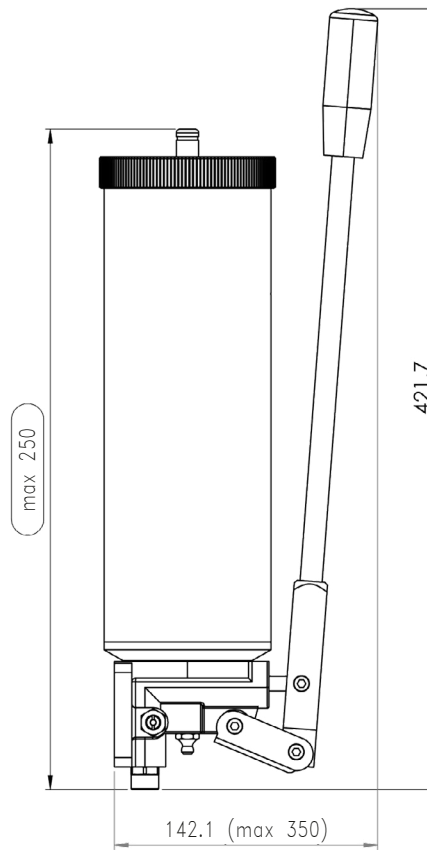
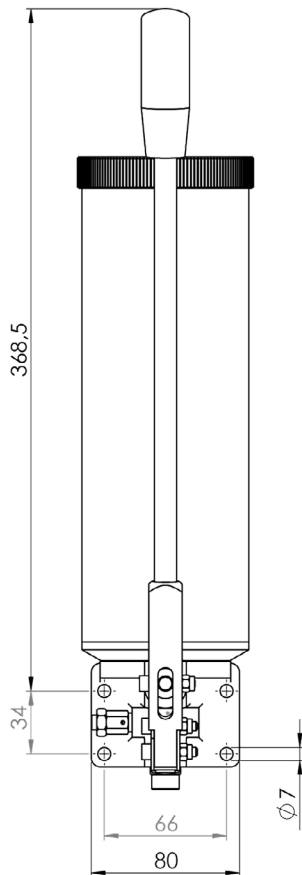
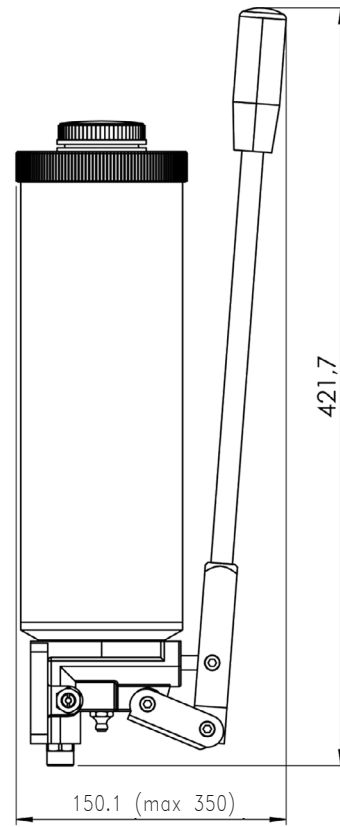
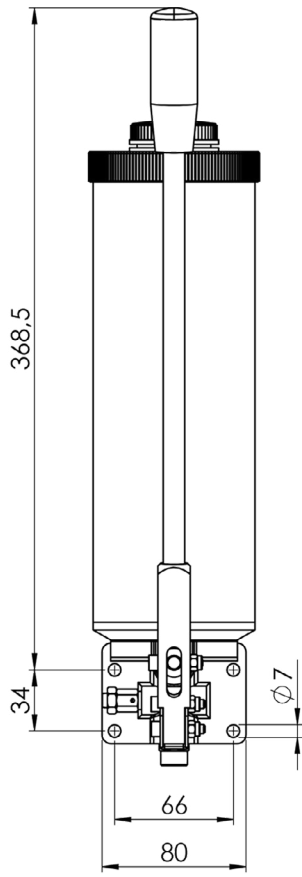


Order codes

PMO	PMG	Capacity
00.133.0	00.135.0	0.3 L
00.134.0	00.132.0	1.4 L

Technical data

Flow rate	1 cm ³ /stroke
Operating pressure	150 bar (2130 PSI)
Tanks	in metal from 0.3 to 1.4 L
Lubricants	Mineral oils from 50 to 1000 cSt PMG-3 Grease NLGI 0 PMG-10 Grease NLGI 2
Temperature	From -10 °C to +60 °C
Delivery fitting	M12X1 female
Assembly	Vertical



I.L.C. srl - Via Garibaldi, 149 - 20155 Gorla Minore - Italy
Phone +39 0331 601697 - Fax +39 0331 602001 - www.ilclube.com - info@ilclube.it

