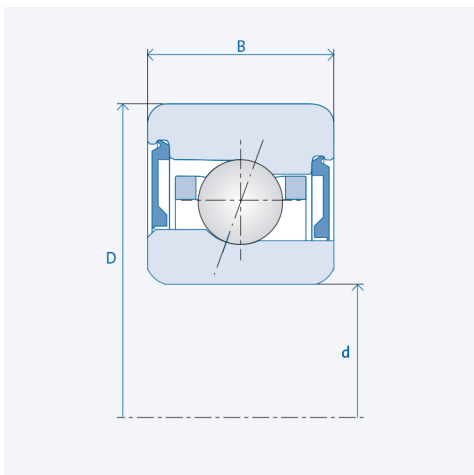


# Spindle ball bearings (HY)\* KH 61903 C



## Precision class P4 / ABEC7

### Components

Bearing designation:	(HY)* KH 61903 C
Bearing design:	KH
Series / size:	61903
Ball material:	Steel 100Cr6
Ball material HY :	Ceramic Si3N4
Cage:	TA (TXM available upon request)
Seal:	2RZ upon request
Precision:	P4 (HG, UP, P2 upon request)
Main dimensions [d x D x B]:	17 x 30 x 7 mm

### Technical data (Standard bearings)

Static load capacity $C_0$ :	1070
Dynamic load capacity C:	2150
Speed limit $n_{Fett}$ :	67500
Speed limit $n_{Oj}$ :	90000

### Technical data (Hybrid bearings)\*

Static load capacity $C_{0HY}$ :	760
Dynamic load capacity $C_{HY}$ :	2150
Speed limit $n_{Fett}$ :	84375
Speed limit $n_{Oj}$ :	112500

### Pre-tension

Light (L):	11 N
Axial rigidity ( $C_{ax}$ ):	17 N/ $\mu$ m
Medium (M):	35 N
Axial rigidity ( $C_{ax}$ ):	27 N/ $\mu$ m
Heavy (S):	65 N
Axial rigidity ( $C_{ax}$ ):	34 N/ $\mu$ m
Spring preload (Ff):	80 N

The given speed limits apply to individual bearings with spring preload. Correction factors must be considered for all properties which deviate from this.

\* All ball bearings are also available as hybrid ball bearings (HY).