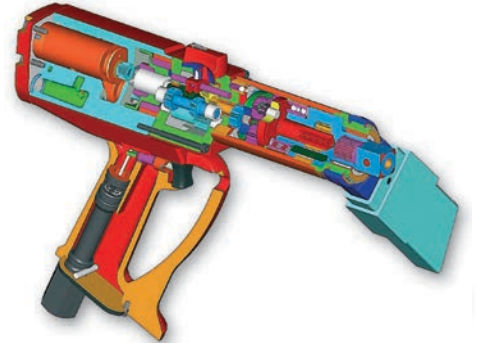
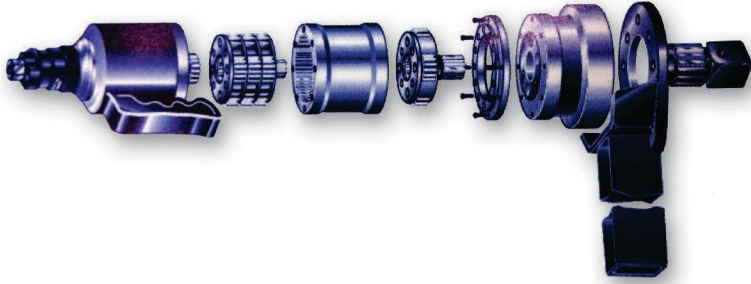


# MULTIPLIER

AIR  
TOOLS



QUIET

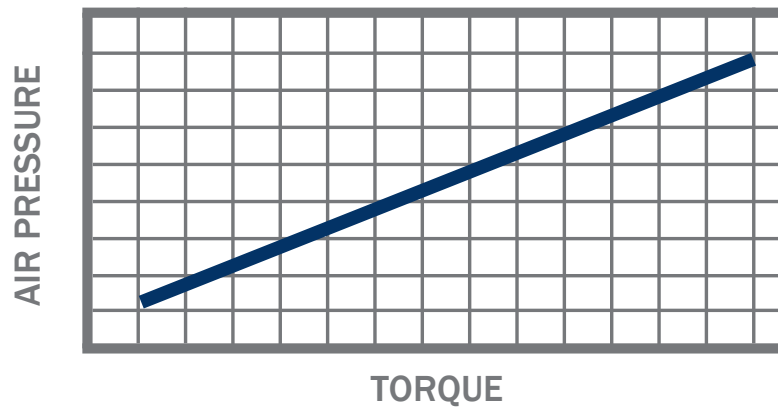
NON-  
IMPACTING

POWERFUL

A Torq/Lite pneumatic torque wrench consists of a robust air motor driving a multiplier with three or more stages of epicyclic gearing. You control the torque by controlling the air pressure.

An air pressure vs. torque graph is supplied with each tool and allows specific torque values to be set. For more critical applications, pneumatic wrenches can be fitted with a torque transducer and the precise torque output displayed. The tool can then be shut off at the desired torque either manually or automatically using suitable control circuitry.

PRESSURE GRAPH



Torq/Lite multiplier operation is quiet - less than 85 dB(A) - with absolutely no impacting. These two factors make Torq/Lite multipliers comfortable for the operator to use, reducing fatigue and increasing safety.

Torq/Lite multipliers provide accurate torque control: they will stall repeatably to +/- 2%.

Multipliers are operated in conjunction with a Lubro Control Unit (LCU) to set the torque

# HIGH-SPEED SERIES



The High-Speed Series TLSM-370 & TLSM-590 is engineered to be one of the lightest and fastest tools of its type on the market. The exceptionally compact 52mm diameter gearbox means that the tool is well balanced, light weight and provides excellent access to bolts. Fast - 800 N·m version has a free speed of 224 rpm for rapid bolt run-down.

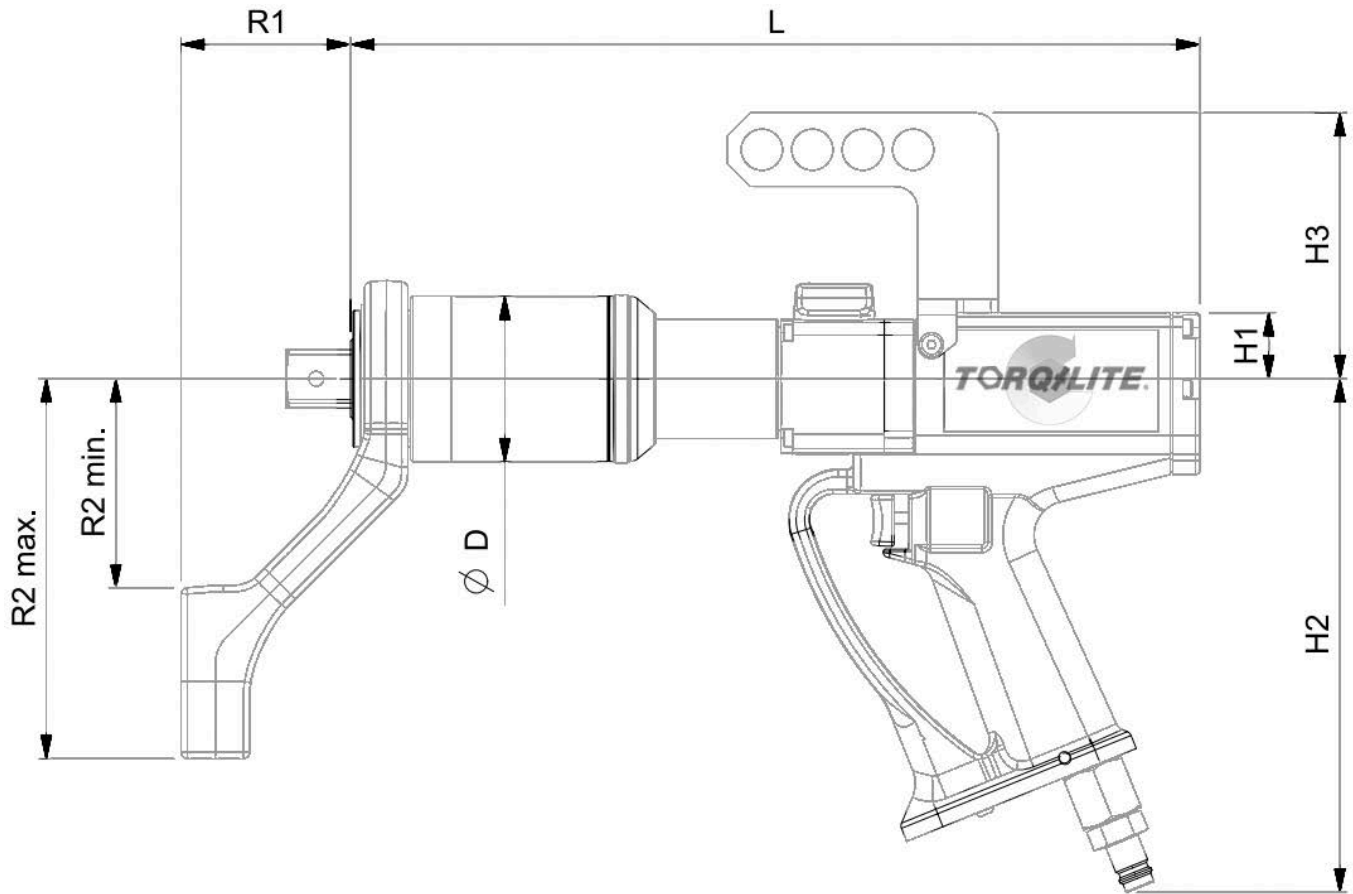
The High-Speed Series TLSM-738, TLSM-1000, and TLSM-1475 tools use the same 'twin motor' handle as the TLSM-370 & TLSM-590 but fitted with a durable 72mm gearbox to allow higher torque outputs. The 'twin motor' concept gives the benefit of high run-down speeds while adding very little to the size and weight of the tool.

The latest extension to the High-Speed Series tool range are the TLSM-2000, TLSM-2950-1, TLSM-2950-112, TLSM-3300, and TLSM-4500. Bring the speed advantage to the twin motor handle to higher capacity PneuTorque models.

## KEY FEATURES:

- Quiet - less than 85 dB(A) when under load
- Non impacting - low vibration levels make these tools comfortable and safe to use
- For safety, gearbox can rotate independently from the handle so that reaction forces are not transmitted back to the operator.
- 'Soft Start' trigger controls / aids socket location and allows gradual and safe reaction location.
- Fast - 800 N·m version has a free speed of 175 rpm for rapid bolt run-down.
- Square drive is quickly and easily replaceable
- Light weight

# HIGH-SPEED Series



MODEL NUMBER	SQUARE DRIVE	PART NUMBER	RANGE NM	RANGE FT./LBS.	FREE SPEED RPM	ØD	H1	H2	L	R1	R2 min.	R2 max.	TOOL WEIGHT kg.	REACTION WEIGHT kg.
TLISM-370 (Bi-Directional)	3/4"	18100.B06	100-500	74-370	224	52	29	224	310	59	71	131	4.1	0.85
TLISM-590 (Bi-Directional)	3/4"	18101.B06	160-800	118-590	148	52	29	224	310	59	71	131	4.1	0.85
TLISM-738 (Bi-Directional)	3/4"	18102.B06	200-1,000	147-738	122	72	29	224	342	68	91	165	6.1	0.7
TLISM-1000 (Bi-Directional)	1"	18103.B06	270-1,350	200-1,000	86	72	29	224	342	68	91	165	6.1	0.7
TLISM-1475 (Bi-Directional)	1"	18104.B06	400-2,000	295-1,475	58	72	29	224	371	74	91	165	6.5	0.7
TLISM-2000 (Bi-Directional)	1"	180296.B08	540-2,700	400-2,000	40	80	29	224	335	80	115	205	7.5	1.35
TLISM-2950-1 (Bi-Directional)	1"	18159.B08	800-4,000	590-2,950	32	92	29	224	394	87	115	205	8.5	1.35
TLISM-2950-112 (Bi-Directional)	1-1/2"	18159.B12	800-4,000	590-2,950	32	92	29	224	394	87	115	205	8.5	1.35
TLISM-3300 (Bi-Directional)	1-1/2"	18108.B12	900-4,500	660-3,300	23	119	29	224	415	118	150	199	13.3	2.2
TLISM-4500 (Bi-Directional)	1-1/2"	18109.B12	1,200-6,000	885-4,425	15.5	119	29	224	415	118	150	199	13.3	2.2

---

# SINGLE-SPEED SERIES

---

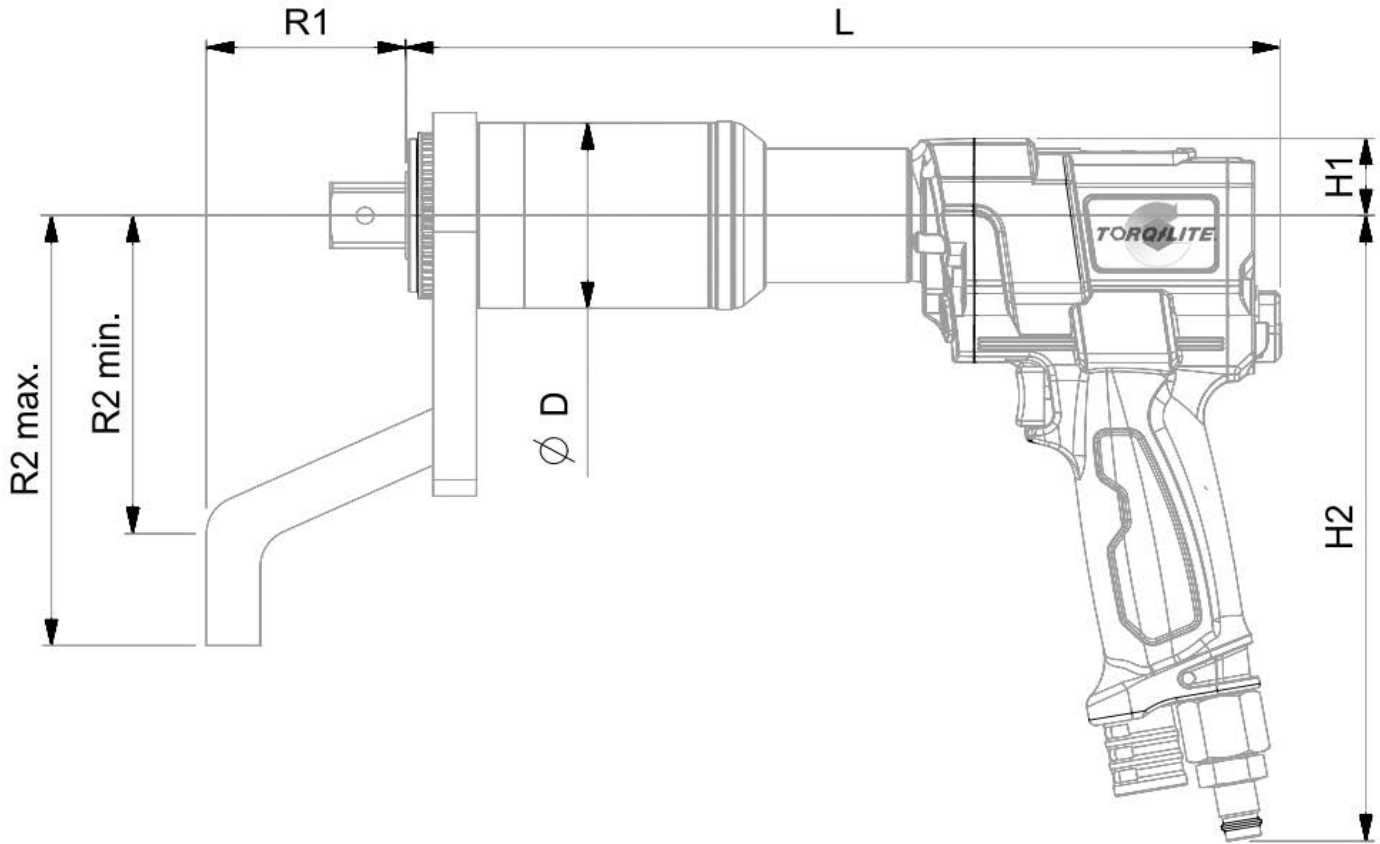


The Single-Speed Series is the result of an extensive design project to produce an efficient air motor, purpose built for this application in an accurate torque tool. The new air motor is then married to the respected gearbox range, sharing common torque reaction accessories with High-Speed and EvoTorque®2 tools.

## KEY FEATURES:

- Designed to offer excellent power-to-weight ratio
- Up to 2.5kg weight saving compared with TLSM Series equivalents
- Easily accessible switch for forward and reverse operation
- $\pm 5\%$  repeatability of reading from 20% to 100% of range
- Air coupling designed for safety and rapid operation
- Directional exhaust barrel directs exhaust away from operator
- Replaceable square drive
- Fast operation for rapid bolt rundown. Up to 60% faster than TLSM: 738, 1000, and 1475 models.
- Non impacting - low vibration levels for comfortable and safe use
- Steel reactions supplied as standard. Bespoke reactions available
- Very quiet operation - reducing the need for protection with sound pressure levels from 77dB(A) to 79dB(A)
- Supplied as standard with a traceable calibration certificate in a clockwise direction only

# SINGLE-SPEED Series



MODEL NUMBER	SQUARE DRIVE	PART NUMBER	RANGE NM	RANGE FT./LBS.	FREE SPEED RPM	Ø D	H1	H2	L	R1	R2 min.	R2 max.	TOOL WEIGHT kg.	REACTION WEIGHT kg.
TLS-370	3/4"	180241.B06	100-500	74-370	35.5	52	30	243	263	59	71	131	4.2	0.85
TLS-590	3/4"	180242.B06	160-800	118-590	25.7	52	30	243	263	59	71	131	4.2	0.85
TLS-738	3/4"	180243.B06	200-1,000	147-738	20.4	72	30	243	290	76	124	167	6.24	1.4
TLS-1000	1"	180244.B08	270-1,350	200-1,000	14.7	72	30	243	290	76	124	167	6.24	1.4
TLS-1475	1"	180245.B08	400-2,000	295-1,475	9.2	72	30	243	324	76	124	167	6.6	1.4
TLS-2000	1"	180246.B08	540-2,700	398-1,991	7.3	80	30	243	290	76	124	167	6.15	1.4
TLS-2950-1	1"	180250.B08	800-4,000	590-2,950	5.3	92	30	243	347	70	125	175	8.95	2.5
TLS-2950-112	1-1/2"	180250.B12	800-4,000	590-2,950	5.3	92	30	243	347	70	125	175	8.95	2.5
TLS-4425	1-1/2"	180248.B12	1,200-6,000	885-4,425	2.6	119	30	243	369	90	162	210	12.52	3.8
TLS-5200	1-1/2"	180249.B12	1,400-7,000	1,030-5,200	2.6	119	30	243	369	90	162	210	12.52	3.8

---

# WHEEL NUT

## SERIES

---



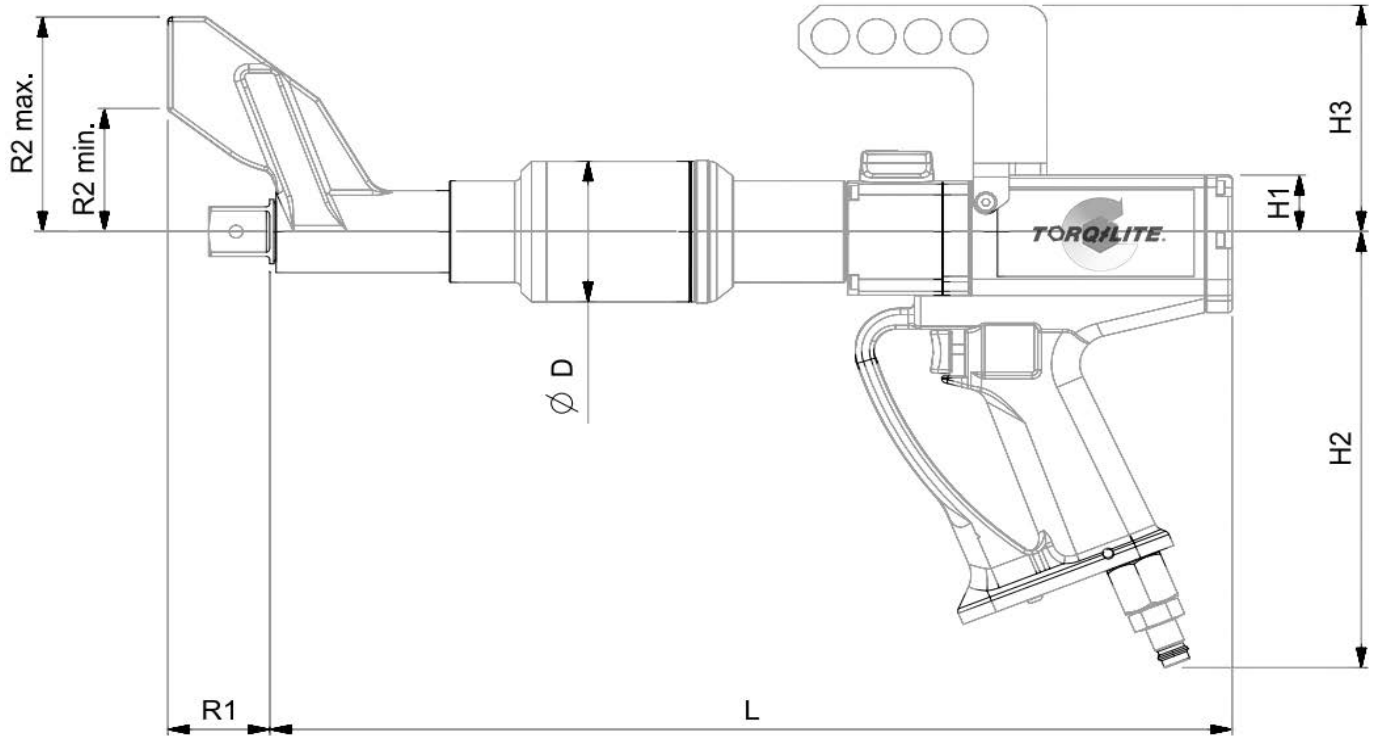
The Wheel Nut series of tools were designed to meet the needs of the commercial vehicle wheel market. The integrated reaction foot is designed specifically to reach recessed wheel bolts and the 72mm diameter gearbox is selected to cope with the high frequency of use demanded by busy tire shops.

## KEY FEATURES:

- For safety, gearbox can rotate independently from the handle so that reaction forces are not transmitted back to the operator
- Quiet - less than 85 dB(A) when under load.
- Square drive is quickly and easily replaceable.
- 'Soft Start' trigger controls / aids socket location and allows gradual and safe reaction location.
- On Bi-Directional tools, the direction control knob is locked while the tool is running to prevent accidental damage to the gearbox.
- Light weight, for ease of handling.
- Extended reaction is ideal for reaching recessed nuts.
- Non impacting - low vibration levels make these tools comfortable and safe to use.

# WHEEL NUT

## Series



MODEL NUMBER	SQUARE DRIVE	PART NUMBER	RANGE NM	RANGE FT./LBS.	FREE SPEED RPM	ØD	H1	H2	L	R1	R2 min.	R2 max.	TOOL WEIGHT kg.
TLWT-738	3/4"	18140.B06	200-1,000	147-738	122	72	29	224	116	81	63	110	7.2
	1"	18149.B08											
TLWT-1475	1"	18141.B08	400-2,000	295-1,475	58	72	29	224	116	49	63	115	7.7

# LUBRO CONTROL UNIT



Torq/Lites (LCU) standard filter, regulator, lubricator unit features a 100mm diameter gauge for easy and accurate setting of air pressure with ergonomic placement of air pressure adjustment control. It is supplied with 3 meters of robust, steel braded air hose with fittings to connect to our PneuTorque wrenches.

## SPECIFICATIONS:

**Input port thread:** ½" BSP.

**Output port thread:** ½" BSP.

**Minimum hose bore:** ½".

**Input pressure:** Maximum 145 psi / 10 bar / 1.0 MPa.  
Proof rating 217 psi / 15 bar / 1.5 MPa.

**Output pressure:** Minimum 7.25 psi / 0.5 bar.  
Maximum 100 psi / 6.9 bar.

**Pressure gauge range:** 100 psi / 6.9 bar.

**Pressure gauge accuracy:** +/- 2.5% of scale (+/- 2.5 psi for Max 100 psi pressure gauge)

**Filtration:** 5µm.

**Drain capacity:** 45 cm<sup>3</sup>.

**Oil:** FUCHS SILKAIR VG22 or SHELL TELLUS S2 VX15 or equivalent.

**Weight:** Lubro Control Unit 5.0 Kg.  
Hose 3m 1.5 Kg.

**Dimensions:** 300 mm high x 260 mm wide x 250 mm deep.

**Environment:** Indoor use within a light industrial environment.

**Ambient and fluid temperature:** -5°C to +60°C (No freezing).

*NOTE: If equipment is used in a manner not specified by the manufacturer, the protection provided by the equipment could be impaired.*



# EVOTORQUE 2<sup>®</sup> ELECTRONIC TORQUE TOOL



The EvoTorque<sup>®</sup> 2 is an electronic torque tool designed for accurately applying torque to threaded fasteners. Tools are factory calibrated to  $\pm 3\%$  of reading. The unique 'intelligent joint sensing' technology continually measures the joint during tightening and, when necessary, employs dynamic braking to avoid torque over-shoot due to motor inertia. Consequently, EvoTorque<sup>®</sup> 2 can apply torque accurately over a wide range of joint rates from hard (high torque rate) through to soft (low torque rate). All EvoTorque<sup>®</sup> 2 tools are highly tolerant of supply voltage and frequency variation. When the tool runs, it will run accurately. If the supply voltage is outside of tolerance then, as a safety feature, the tool will be prevented from starting.

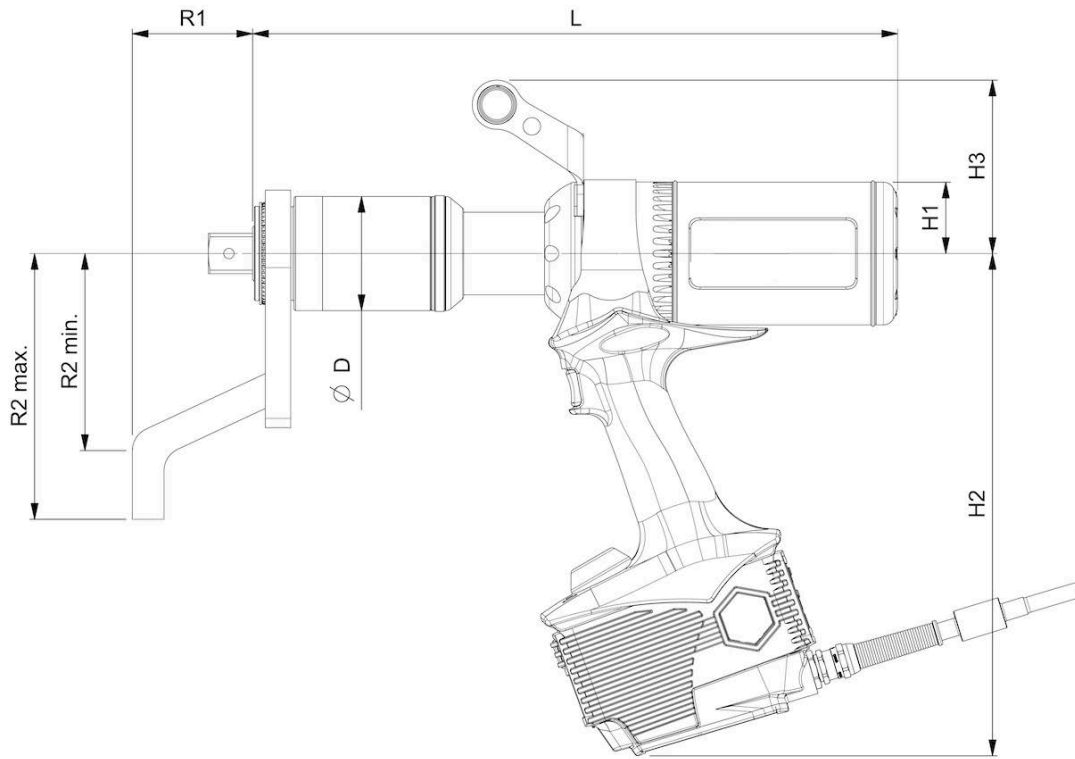
The EvoTorque<sup>®</sup> 2 has the ability to memorize multiple targets, work IDs, user IDs and readings. The tool has three modes of operation: Torque, Torque and Angle and Torque Audit. The unique Audit Mode is a sophisticated feature for testing pre-tightened bolts with minimal impact on the original fastening torque and can provide quality control data for monitoring joint performance over time.

## KEY FEATURES:

- Multiple units of torque measurement, including N-m, lbf-ft, ft-lb and kgf-m
- 20 unique standalone targets plus 20 unique work group targets for each work group
- Calibrated from 20% to 100% of tool range
- Results can be output in CSV (comma-separated values) format for users not able to use EvoLog
- Torque, Torque & Angle and Torque Audit modes available
- Ability to produce and store real time graphs via EvoLog
- In Torque and Angle Mode and Audit Mode, torque can be set from 10% of tool maximum
- Torque & Angle with Final Torque
- Display and on-board storage of final torque or torque and angle values
- 'Usage' counter gives the ability to see the amount of times the tool has been used since the last reset
- 3000 reading memory, time and date stamped
- "Operation Direction" feature designed primarily for undoing bolts. When doing sequence tightening, it is now possible to undo an incorrectly tightened bolt without interrupting the sequence.
- Clear indication of successful joint application
- Two stage tightening gives faster application of a Snug Torque & Angle Target
- USB and Bluetooth<sup>®</sup> 4.0 data transfer (also called Bluetooth<sup>®</sup> Smart)
- "Turn Angle" option can be used to check if bolts have already been tightened in an assembly process
- Complimentary PC software 'EvoLog' for data management and tool configuration
- 12 user IDs can be downloaded to the tool and results can be stored against individual users

# EVOTORQUE 2<sup>®</sup>

## Electronic Tool Series



MODEL NUMBER	VOLTAGE	SQUARE DRIVE	PART NUMBER	RANGE NM	RANGE FT./LBS.	FREE SPEED RPM	Ø D	H1	H2	H3	L	R1	R2 min.	R2 max.	TOOL WEIGHT	REACTION WEIGHT kg.
TL/ET2-72-738	110 230	3/4"	180230.B06 180220.B06	200-1,000	147-738	21	72	45	317	109	366	71	124	167	10.4	1.5
TL/ET2-72-1000	110 230	3/4"	180231.B06 180221.B06	270-1,350	200-1,000	17	72	45	317	109	366	71	124	167	10.4	1.5
TL/ET2-72-1475	110 230	1"	180232.B08 180222.B08	400-2,000	295-1475	11	72	45	317	109	407	76	124	167	10.8	1.5
TL/ET2-80-2000	110 230	1"	180239.B08 180229.B08	270-2,700	199-1,991	10	80	45	317	109	363	76	124	167	10.8	1.5
TL/ET2-92-2580	110 230	1"	180237.B08 180227.B08	350-3500	260-2580	6	92	45	317	109	417	70	125	175	12.9	2.6
TL/ET2-92-2950	110 230	1"	180238.B08 180228.B08	800-4,000	590-3,000	6	92	45	317	109	417	70	125	175	12.9	2.6
TL/ET2-119-4500	110 230	1-1/2"	180235.B12 180225.B12	1,200-6,000	885-4,500	3.3	119	45	317	109	440	90	162	210	16.8	3.9
TL/ET2-119-5200	110 230	1-1/2"	180236.B12 180226.B12	1,400-7,000	1,030-5,200	3.3	119	45	317	109	440	90	162	210	16.8	3.9

# EVOTORQUE® (EBT) BATTERY TOOL



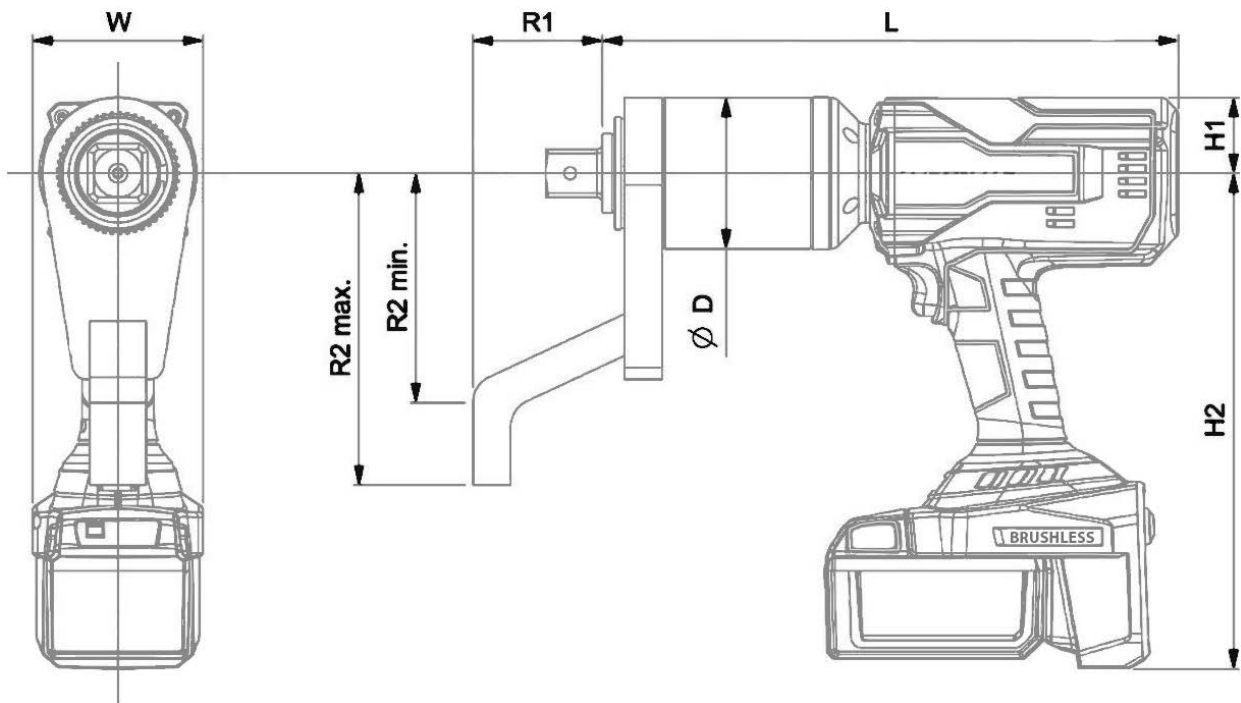
The EvoTorque® Battery Tool (EBT) features a new brush-less motor, data memory and data transfer capabilities. Combined this with their respected gearboxes to deliver a range of fast, reliable, accurate battery torque tools.

## KEY FEATURES:

- Tool is not constrained by power cable or hose, improving safety, convenience and versatility
- Torque, Torque & Angle and Torque Audit modes available
- 'Torque Only' mode provides the user with 'Ease of Use' functionality aiding tool familiarity
- Display and on-board storage of final torque or torque and angle values
- 3,000 reading memory, time and date stamped
- Clear indication of successful joint application
- USB and Bluetooth® 4.0 data transfer (also called Bluetooth® Smart)
- Complimentary PC software 'EvoLog' for data management and tool configuration
- 12 user IDs can be downloaded to the tool and results can be stored against individual users
- 20 unique stand-alone targets plus 20 unique work group targets for each work group
- Ability to produce and store real time graphs via EvoLog
- Results can be output in CSV (comma-separated values) format for users not able to use EvoLog
- 'Usage' counter gives the ability to see the amount of times the tool has been used since the last reset
- 'Operation Direction' feature designed primarily for undoing bolts.
- When doing sequence tightening, it is possible to undo an incorrectly tightened bolt without interrupting the sequence.
- 'Turn Angle' option can be used to check if bolts have already been tightened in an assembly process
- Allows tool integration into third party control systems
- Maximum Audit Mode target angle (720°)
- Traceable calibration certificate for torque & angle provided as standard
- Available in single speed ideal for torque with angle control
- Auto two speed configurations available for rapid joint completion

# EVOTORQUE® (EBT)

## BatteryTool Series



MODEL NUMBER	SQUARE DRIVE	PART NUMBER	RANGE NM	RANGE FT./LBS.	FREE SPEED RPM	Ø D	H1	H2	L	R1	R2 min.	R2 max.	W.	TOOL WEIGHT kg.	REACATION WEIGHT kg. *
TL-EBT72-1000 (Single-Speed)	3/4" & 1"	180445	200-1,350	150-1,000	6.5	72	40	262	298	76	124	167	90	5.7	1.4
TL-EBT72-1000-A2S (Auto Two-Speed)	3/4" & 1"	180469	338-1,350	250-1,000	32	72	40	262	317	76	124	167	90	5.9	1.4
TL-EBT80-2000 (Single-Speed)	1"	180541	400-2,700	295-2,000	3.3	80	40	262	298	76	124	167	90	5.9	1.4
TL-EBT80-2000-A2S (Auto Two-Speed)	1"	180565	676-2,700	499-2,000	13	80	40	262	333	76	124	167	90	6.8	1.4
TL-EBT92-2950 (Single-Speed)	1"	180637	800-4,000	590-2,950	2.3	92	40	262	352	70	125	175	90	7.9	2.5
TL-EBT92-2950-A2S (Auto Two-Speed)	1"	180661	1,000-4,000	738-2,950	9.5	92	40	262	387	70	125	175	90	8.3	2.5

Note: These kits include: tool, (2) batteries, (1) charger, and (1) secondary handle in a carrying case.

\* Tool weight excludes both reaction and battery. Batteries weigh 0.8 kg.