

# Thin Film Gain Flattening Filter



Gain flattening filters (GFFs) flatten the gain profile in optical amplifiers by selectively removing excess power.

The Lumentum thin film GFF offers an excellent match to the target loss profile with low excess loss and error function, even for exceptionally deep (>20 dB) and steep GFF (>2.5 dB/nm) profiles.

Customized thin film GFFs are available in the C, L, and S bands. All Lumentum thin film GFFs fulfill Telcordia GR-1221 requirements.

**Key Features**

- Deep profiles (>20 dB)
- Steep profiles (>2.5 dB/nm)
- Low error function
- Power handling up to 2000 mW

**Applications**

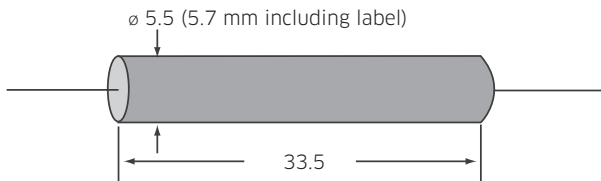
- Long-haul terrestrial
- Metro
- Raman
- C, L, and S band

**Compliance**

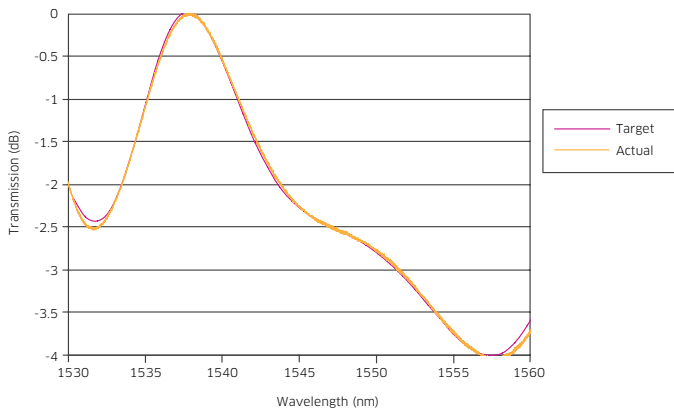
- Telcordia GR-1221

**Dimensions Diagram**

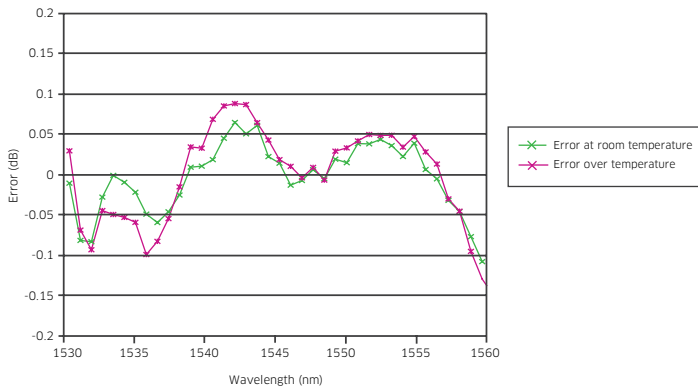
(Specifications in mm unless otherwise noted.)



**Target Profile vs. Actual Profile**



**Profile Error**

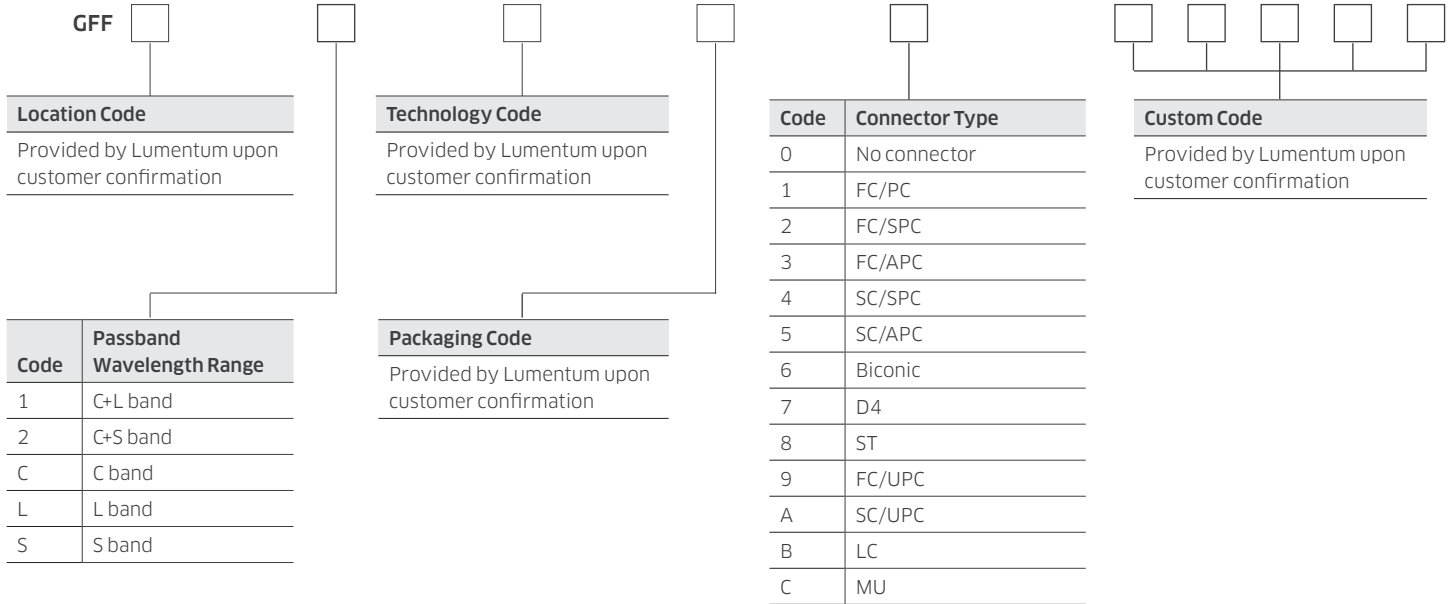


**Specifications**

Parameter		Specification
Technology		Thin film filter
Wavelength		C, L or S band, bandwidths of up to 80 nm
Insertion loss		GFF target profile dependent (see application note on Thin Film GFF)
Error function (EF)		Peak-to-peak, GFF target profile dependent (see application note on Thin Film GFF)
Polarization dependent loss	Maximum	0.1 dB
Polarization mode dispersion	Maximum	0.1 ps
Operating temperature		0 to 70°C
Storage temperature		-40 to 85°C
Optical power		
High power GFF	Maximum	2000 mW
Standard GFF	Maximum	500 mW
Package (D x L)		5.5 x 33.5 mm

## Ordering Information

For more information on this or other products and their availability, please contact your local Lumentum account manager or Lumentum directly at [customer.service@lumentum.com](mailto:customer.service@lumentum.com).



ST is a registered trademark of Lucent Technologies.  
Telcordia is a registered trademark of Telcordia Technologies Incorporated.



North America  
Toll Free: 844 810 LITE (5483)

Outside North America  
Toll Free: 800 000 LITE (5483)

China  
Toll Free: 400 120 LITE (5483)

© 2015 Lumentum Operations LLC  
Product specifications and descriptions in this document are subject to change without notice.