

WDM Filter, 100 GHz Extrawide Passband, Low CD for 40 Gbps Applications

DWS Series



Lumentum ITU components are the result of years of telecommunication experience in interference filter technology. Individual components are available on ITU channel spacings of 200 and 100 GHz, as well as on bands of ITU channels.

Lumentum ITU components are the evolution of industry-standard 100 GHz ITU components. Manufactured using laser welding technology, these devices exceed Telcordia GR-1221 requirements. They are designed for the lowest chromatic dispersion and demonstrate low insertion loss, temperature insensitivity, and reliable performance in any system application.

Used within mux/demux and add/drop applications, Lumentum ITU components provide the utmost flexibility in single ITU channel management. They offer a simple solution to wavelength routing and are optimized to supply maximum bandwidth and isolation, yet maintain very low chromatic dispersion.

Established volume capability and proven experience in customizing fiber optic components and modules make Lumentum the supplier of choice.

Key Features

- Lowest chromatic dispersion
- Exceptional reliability and environmental stability
- Low insertion loss
- Flat and extrawide passband
- High demux channel isolation

Applications

- Metro networks
- Long-haul networks
- Denser channel plans
- 40 Gbps application

Compliance

- Telcordia GR-1221

Specifications

| Parameter | | DWS-1Fxxx3Lxx | DWS-1Fxxx3Lxx-WB |
|---|---------|---|----------------------------|
| Passband width | Minimum | ±14.1 GHz ($\approx \pm 0.115$ nm) | ±17.5 GHz (± 0.14 nm) |
| Transmission passband ripple | Maximum | 0.3 dB | 0.3 dB |
| Reflection passband ripple | Maximum | 0.2 dB | 0.3 dB |
| Transmission insertion loss ¹ | Maximum | 1.1 dB | 1.1 dB |
| Reflection insertion loss ¹ | Maximum | 0.45 dB | 0.55 dB |
| Transmission isolation (adjacent channel) | Minimum | 25 dB | 23 dB |
| Transmission isolation (non-adjacent channel) | Minimum | 50 dB | 50 dB |
| Reflection isolation | Minimum | 16 dB | 15 dB |
| Transmission chromatic dispersion | Maximum | ±17 ps/nm | ±17 ps/nm |
| Reflection chromatic dispersion | Maximum | ±17 ps/nm | ±20 ps/nm |
| Optical return loss | Minimum | 45 dB | 45 dB |
| Directivity | Minimum | 50 dB | 50 dB |
| Polarization dependent loss | Maximum | 0.1 dB | 0.1 dB |
| Polarization mode dispersion | Maximum | 0.1 ps | 0.16 ps |
| Optical power handling | Maximum | 1 W | |
| Operating temperature range | | -5 to 75°C | |
| Storage temperature range | | -40 to 85°C | |
| Fiber type | | 9/125/250 μ m fiber, 9/125/900 μ m fiber | |
| Fiber length | | 1.5±0.1m | |
| Package dimensions (\varnothing x L) | | 5.5x35.4 mm (excluding strain reliefs) 5.5x42.9 mm | |


1. Excludes connector insertion loss

Ordering Information


For more information on this or other products and their availability, please contact your local Lumentum account manager or Lumentum directly at customer.service@lumentum.com.

DWS-1F  3L

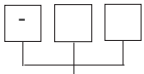
| Channel Frequency |
|---|
| Provided by Lumentum upon customer confirmation |



| Code | Fiber Type |
|------|--------------------------------------|
| 2 | 250 μm fiber ¹ |
| 9 | 900 μm fiber |



| Code | Connector Type ² |
|------|-----------------------------|
| 0 | No connector |
| 2 | FC/SPC |
| 3 | FC/APC |
| 4 | SC/SPC |
| 5 | SC/APC |
| 6 | LC/UPC |



| Code | Passband Width |
|------|--|
| None | ± 14.1 GHz ($\approx \pm 0.115$ nm) |
| WB | ± 17.5 GHz (± 0.14 nm) |

1. No connector available with this option.
2. Other connectors available upon request.

Telcordia is a registered trademark of Telcordia Technologies Incorporated.



North America
Toll Free: 844 810 LITE (5483)

Outside North America
Toll Free: 800 000 LITE (5483)

China
Toll Free: 400 120 LITE (5483)

© 2015 Lumentum Operations LLC
Product specifications and descriptions in this document are subject to change without notice.