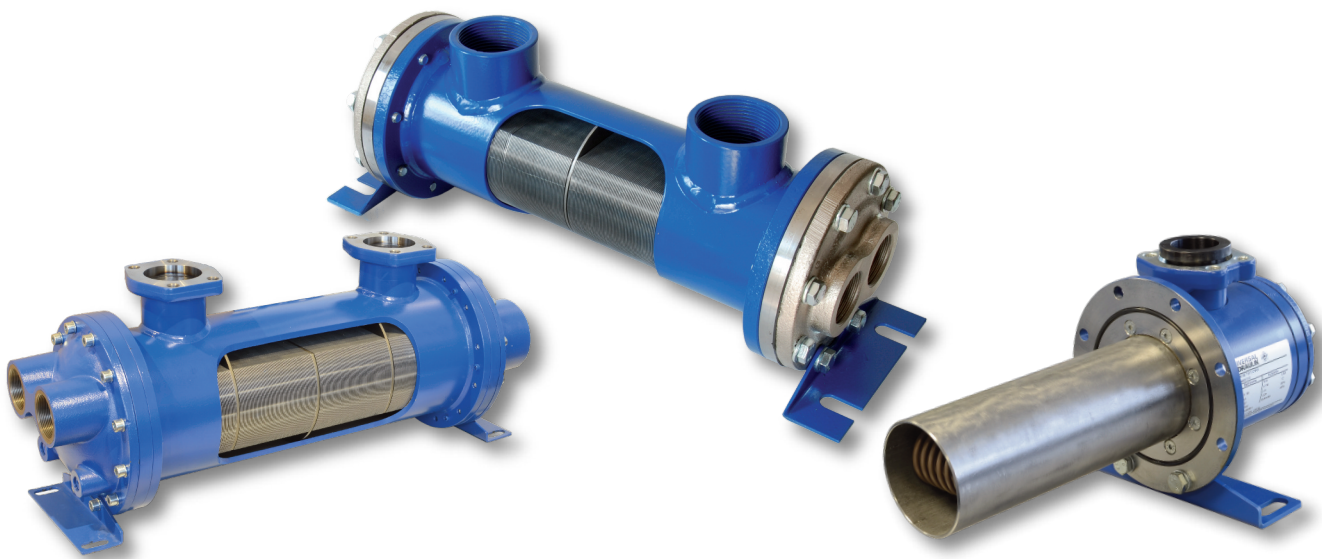


*advanced quality  
customized designs  
made in europe and usa*

**UNIVERSAL  
HYDRAULIK**   
Your Partner for coolers and systems

## HYBRID COOLING

## Heat Exchanger Series EKM - SCM UKM - UKTM



- Shell side (oil): increased performance due to fin-technic
- Tube side (water): long service life; easy to clean
- Tube side (water): various Material options: for example CU-/CN-/TI-/SS
- On- and in-tank mounted cooler
- Heat capacity up to 6705 hp
- Flow rates up to 581 gal/min (Shell side)
- Compact design
- also available as failsafe heat exchanger



## Product description

The Hybrid series is a logical further development of a shell & tube heat exchanger for a wide range of industrial applications. Aluminum fins, which are pushed over the tube bundle, connected by force, lead to an increased heat exchange surface. This is why the series is so efficient. The hybrid-design series is able to reach a heat output up to 6705 hp with a smaller footprint than a bare tube cooler.

### Product features

- Aluminium fins ensure a larger heat exchange surface
- Heat output capacity up to 6705 hp
- Tube side (Water): flow rate up to 581 gal/min
- Removable end caps for easy cleaning of the tubes
- Max. pressure: shell 500 psi / tube 230 psi (higher pressure on demand)
- High-quality materials
- Tested five times during production

### Options

- Sea water resistant version
- Certifications for marine applications: Bureau Veritas, ABS, DNVGL, Rina, CCS, TL, PRS and NKK and others
- Compressed-air application
- Completely stainless steel version or chemically nickel plated
- 3.1 certification on request
- Hydrotest on request
- ATEX-certification on request
- ASME-certification on request
- Internal bypass
- Titanium parts
- Fail-safe-version

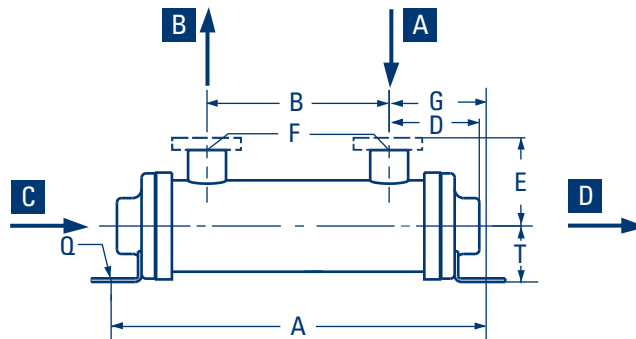
## Materials

	Standard	Option	Sea water Standard
Shell Mounting Baffles	Steel	Stainless steel (SS)	
Tube sheet Cooling fins Nameplate	Steel Aluminium	Stainless steel (SS)	Brass
Tubes	CuNi 90/10 (CN)	Stainless steel (SS)/ Copper (CU)	Titan or copper nickel
End caps	Cast iron	Stainless steel (SS)	Cast iron (chemically nickel plated) or gun metal with zinc anode

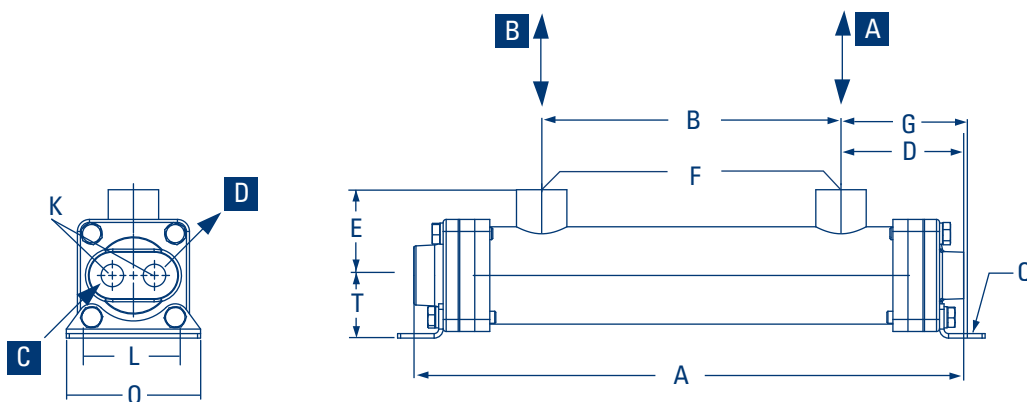
## Unit dimensions EKM-500-Series

Type	A	B	D	E	F	G	I	K	L	O	Q	R	T
EKM-505-O	7.44	2.17	2.60	2.24	SAE#12	2.64	-	-	2.50	3.50	∅0,34 x 0,61	3/4"NPT	1.65
EKM-508-O	10.43	3.82	3.27	2.24	SAE#12	3.31	-	-	2.50	3.50	∅0,34 x 0,61	3/4"NPT	1.65
EKM-510-O	12.44	5.83	3.27	2.24	SAE#12	3.31	-	-	2.50	3.50	∅0,34 x 0,61	3/4"NPT	1.65
EKM-512-O	14.45	7.83	3.27	2.24	SAE#12	3.31	-	-	2.50	3.50	∅0,34 x 0,61	3/4"NPT	1.65
EKM-514-O	16.46	9.84	3.27	2.24	SAE#12	3.31	-	-	2.50	3.50	∅0,34 x 0,61	3/4"NPT	1.65
EKM-518-O	20.43	13.82	3.27	2.24	SAE#12	3.31	-	-	2.50	3.50	∅0,34 x 0,61	3/4"NPT	1.65
EKM-524-O	26.46	19.84	3.27	2.24	SAE#12	3.31	-	-	2.50	3.50	∅0,34 x 0,61	3/4"NPT	1.65
EKM-536-O	38.43	31.81	3.27	2.24	SAE#12	3.31	-	-	2.50	3.50	∅0,34 x 0,61	3/4"NPT	1.65
Type	A	B	D	E	F	G	I	K	L	O	Q	R	T
EKM-505-T	7.44	2.17	2.54	2.24	SAE#12	2.64	1.10	3/8"NPT	2.50	3.50	∅0,34 x 0,61	-	1.65
EKM-508-T	10.43	3.82	3.23	2.24	SAE#12	3.31	1.10	3/8"NPT	2.50	3.50	∅0,34 x 0,61	-	1.65
EKM-510-T	12.44	5.83	3.23	2.24	SAE#12	3.31	1.10	3/8"NPT	2.50	3.50	∅0,34 x 0,61	-	1.65
EKM-512-T	14.45	7.83	3.23	2.24	SAE#12	3.31	1.10	3/8"NPT	2.50	3.50	∅0,34 x 0,61	-	1.65
EKM-514-T	16.46	9.84	3.23	2.24	SAE#12	3.31	1.10	3/8"NPT	2.50	3.50	∅0,34 x 0,61	-	1.65
EKM-518-T	20.43	13.82	3.23	2.24	SAE#12	3.31	1.10	3/8"NPT	2.50	3.50	∅0,34 x 0,61	-	1.65
EKM-524-T	26.46	19.84	3.23	2.24	SAE#12	3.31	1.10	3/8"NPT	2.50	3.50	∅0,34 x 0,61	-	1.65
EKM-536-T	38.43	31.81	3.23	2.24	SAE#12	3.31	1.10	3/8"NPT	2.50	3.50	∅0,34 x 0,61	-	1.65

All dimensions in inch



**A** - Medium to be cooled    **B** - Cooled Medium    **C** - Cooling water „inlet“    **D** - Cooling water „outlet“



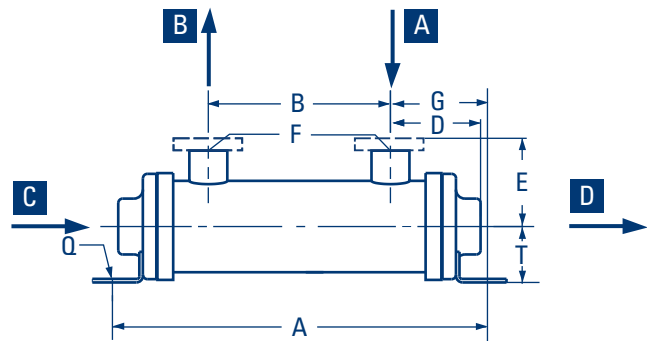
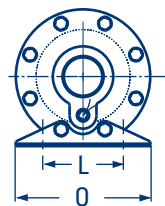
**A** - Medium to be cooled    **B** - Cooled Medium    **C** - Cooling water „inlet“    **D** - Cooling water „outlet“

## Unit dimensions EKM-700-Series

Type	A	B	D	E	F	G	I	K	L	M	N	N1	O	Q	R	T
EKM-708-O	11.14	2.99	3.98	2.87	SAE#24	4.07	-	-	2.99	-	-	-	5.00	ø0.43 x 0.91	1 1/4" NPT	2.64
EKM-712-O	15.16	7.01	3.98	2.87	SAE#24	4.07	-	-	2.99	-	-	-	5.00	ø0.43 x 0.91	1 1/4" NPT	2.60
EKM-714-O	17.17	9.02	3.98	2.87	SAE#24	4.07	-	-	2.99	-	-	-	5.00	ø0.43 x 0.91	1 1/4" NPT	2.64
EKM-718-O	21.14	12.99	3.98	2.87	SAE#24	4.07	-	-	2.99	-	-	-	5.00	ø0.43 x 0.91	1 1/4" NPT	2.64
EKM-724-O	27.17	19.02	3.98	2.87	SAE#24	4.07	-	-	2.99	-	-	-	5.00	ø0.43 x 0.91	1 1/4" NPT	2.64
EKM-736-O	39.13	30.98	3.98	2.87	SAE#24	4.07	-	-	2.99	-	-	-	5.00	ø0.43 x 0.91	1 1/4" NPT	2.64
Type	A	B	D	E	F	G	I	K	L	M	N	N1	O	Q	R	T
EKM-708-T	11.14	2.99	3.50	2.87	SAE#24	4.07	1.61	1" NPT	2.99	-	-	-	5.00	ø0.43 x 0.91	-	2.64
EKM-712-T	15.16	7.01	3.50	2.87	SAE#24	4.07	1.61	1" NPT	2.99	-	-	-	5.00	ø0.43 x 0.91	-	2.64
EKM-714-T	17.17	9.02	3.50	2.87	SAE#24	4.07	1.61	1" NPT	2.99	-	-	-	5.00	ø0.43 x 0.91	-	2.64
EKM-718-T	21.14	12.99	3.50	2.87	SAE#24	4.07	1.61	1" NPT	2.99	-	-	-	5.00	ø0.43 x 0.91	-	2.64
EKM-724-T	27.17	19.02	3.50	2.87	SAE#24	4.07	1.61	1" NPT	2.99	-	-	-	5.00	ø0.43 x 0.91	-	2.64
EKM-736-T	39.13	30.98	3.50	2.87	SAE#24	4.07	1.61	1" NPT	2.99	-	-	-	5.00	ø0.43 x 0.91	-	2.64
Type	A	B	D	E	F	G	I	K	L	M	N	N1	O	Q	R	T
EKM-708-F	11.14	2.99	3.54	2.87	SAE#24	4.07	-	-	2.99	1/2" NPT	1.73	0.71	5.00	ø0.43 x 0.91	-	2.64
EKM-712-F	15.16	7.01	3.54	2.87	SAE#24	4.07	-	-	2.99	1/2" NPT	1.73	0.71	5.00	ø0.43 x 0.91	-	2.64
EKM-714-F	17.17	9.02	3.54	2.87	SAE#24	4.07	-	-	2.99	1/2" NPT	1.73	0.71	5.00	ø0.43 x 0.91	-	2.64
EKM-718-F	21.14	12.99	3.54	2.87	SAE#24	4.07	-	-	2.99	1/2" NPT	1.73	0.71	5.00	ø0.43 x 0.91	-	2.64
EKM-724-F	27.17	19.02	3.54	2.87	SAE#24	4.07	-	-	2.99	1/2" NPT	1.73	0.71	5.00	ø0.43 x 0.91	-	2.64
EKM-736-F	39.13	30.98	3.54	2.87	SAE#24	4.07	-	-	2.99	1/2" NPT	1.73	0.71	5.00	ø0.43 x 0.91	-	2.64

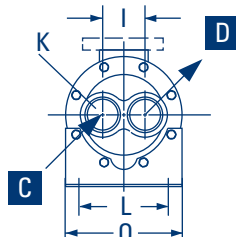
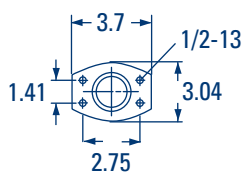
All dimensions in inch

EKM-700

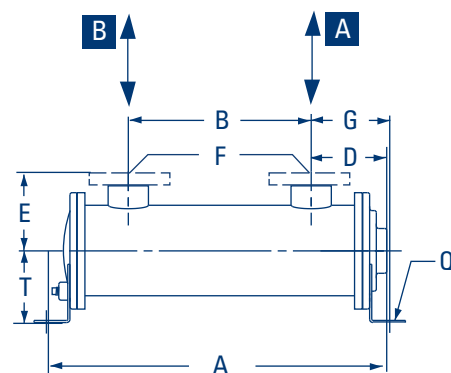
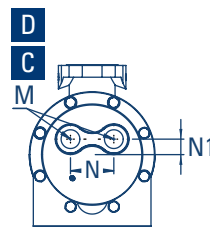


**A** - Medium to be cooled    **B** - Cooled Medium    **C** - Cooling water „inlet”    **D** - Cooling water „outlet”

2 pass



4 pass

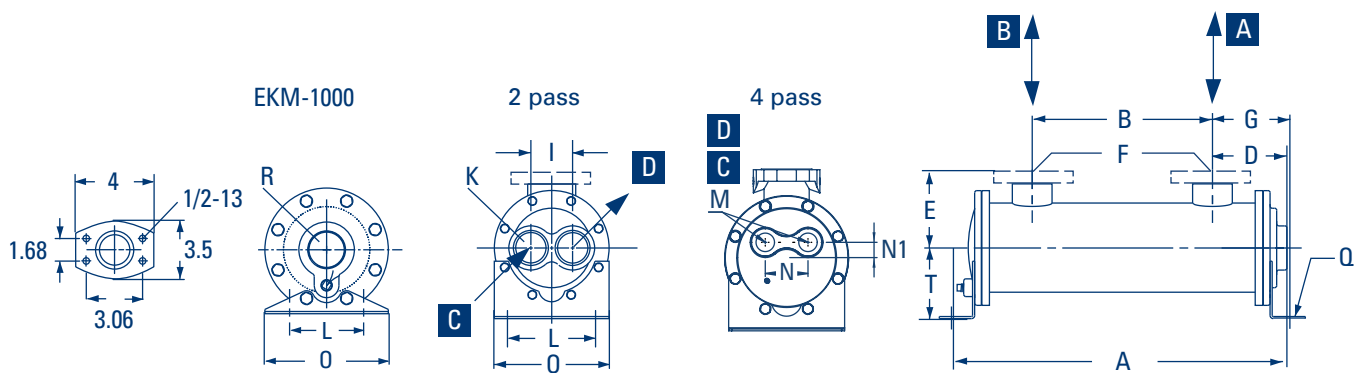


**A** - Medium to be cooled    **B** - Cooled Medium    **C** - Cooling water „inlet”    **D** - Cooling water „outlet”

## Unit dimensions EKM-1000-Series

Type	A	B	D	E	F	G	I	K	L	M	N	N1	O	Q	R	T
EKM-1012-O	15.63	6.18	4.59	3.62	SAE#24	4.72	-	-	4.02	-	-	-	6.50	ø0.43 x 0.98	1 1/2" NPT	4.06
EKM-1014-O	17.64	8.19	4.59	3.62	SAE#24	4.72	-	-	4.02	-	-	-	6.50	ø0.43 x 0.98	1 1/2" NPT	4.06
EKM-1018-O	21.61	12.17	4.59	3.62	SAE#24	4.72	-	-	4.02	-	-	-	6.50	ø0.43 x 0.98	1 1/2" NPT	4.06
EKM-1024-O	27.64	18.19	4.59	3.62	SAE#24	4.72	-	-	4.02	-	-	-	6.50	ø0.43 x 0.98	1 1/2" NPT	4.06
EKM-1036-O	39.61	30.16	4.59	3.62	SAE#24	4.72	-	-	4.02	-	-	-	6.50	ø0.43 x 0.98	1 1/2" NPT	4.06
EKM-1048-O	51.46	42.01	4.59	3.62	SAE#24	4.72	-	-	4.02	-	-	-	6.50	ø0.43 x 0.98	1 1/2" NPT	4.06
Type	A	B	D	E	F	G	I	K	L	M	N	N1	O	Q	R	T
EKM-1012-T	15.63	6.18	4.47	3.62	SAE#24	4.72	2.36	1" NPT	4.02	-	-	-	6.50	ø0.43 x 0.98	-	4.06
EKM-1014-T	17.64	8.19	4.47	3.62	SAE#24	4.72	2.36	1" NPT	4.02	-	-	-	6.50	ø0.43 x 0.98	-	4.06
EKM-1018-T	21.61	12.17	4.47	3.62	SAE#24	4.72	2.36	1" NPT	4.02	-	-	-	6.50	ø0.43 x 0.98	-	4.06
EKM-1024-T	27.64	18.19	4.47	3.62	SAE#24	4.72	2.36	1" NPT	4.02	-	-	-	6.50	ø0.43 x 0.98	-	4.06
EKM-1036-T	39.61	30.16	4.47	3.62	SAE#24	4.72	2.36	1" NPT	4.02	-	-	-	6.50	ø0.43 x 0.98	-	4.06
EKM-1048-T	51.46	42.01	4.47	3.62	SAE#24	4.72	2.36	1" NPT	4.02	-	-	-	6.50	ø0.43 x 0.98	-	4.06
Type	A	B	D	E	F	G	I	K	L	M	N	N1	O	Q	R	T
EKM-1012-F	15.59	6.18	4.53	3.62	SAE#24	4.72	-	-	4.02	3/4" NPT	2.48	0.87	6.50	ø0.43 x 0.98	-	4.06
EKM-1014-F	17.60	8.19	4.53	3.62	SAE#24	4.72	-	-	4.02	3/4" NPT	2.48	0.87	6.50	ø0.43 x 0.98	-	4.06
EKM-1018-F	21.57	12.17	4.53	3.62	SAE#24	4.72	-	-	4.02	3/4" NPT	2.48	0.87	6.50	ø0.43 x 0.98	-	4.06
EKM-1024-F	27.60	18.19	4.53	3.62	SAE#24	4.72	-	-	4.02	3/4" NPT	2.48	0.87	6.50	ø0.43 x 0.98	-	4.06
EKM-1036-F	39.57	30.16	4.53	3.62	SAE#24	4.72	-	-	4.02	3/4" NPT	2.48	0.87	6.50	ø0.43 x 0.98	-	4.06
EKM-1048-F	51.42	42.01	4.53	3.62	SAE#24	4.72	-	-	4.02	3/4" NPT	2.48	0.87	6.50	ø0.43 x 0.98	-	4.06

All dimensions in inch



**A** - Medium to be cooled

**B** - Cooled Medium

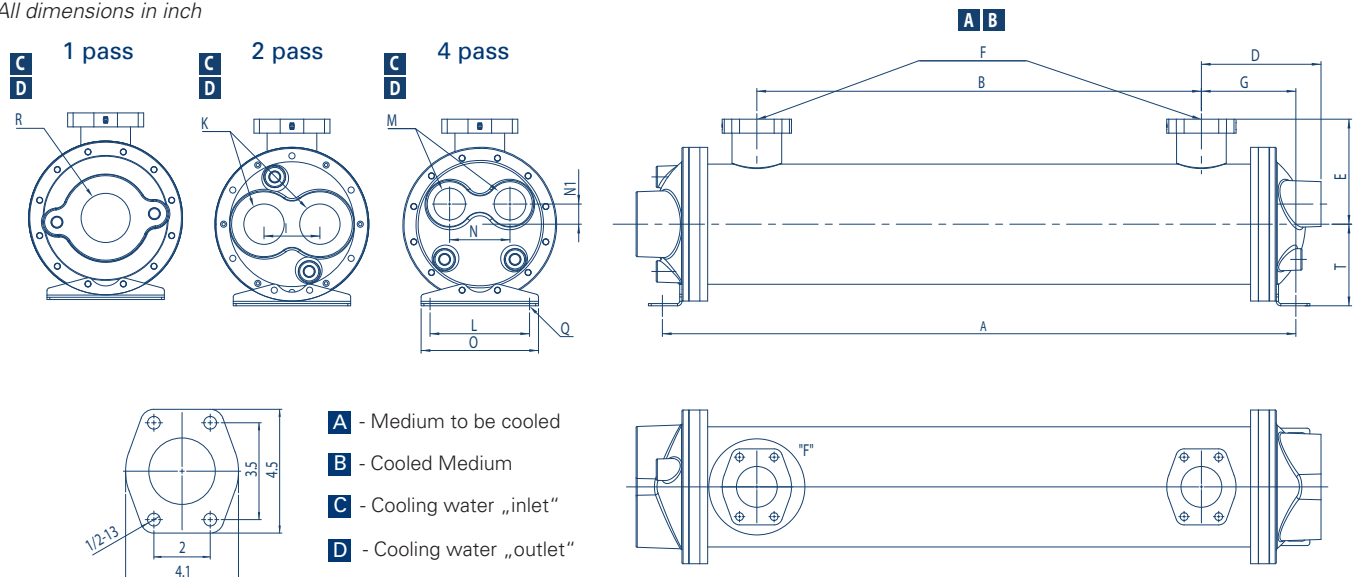
**C** - Cooling water „inlet“

**D** - Cooling water „outlet“

## Unit dimensions EKM-1200-Series

Type	A	B	D	E	F	G	I	K	L	M	N	N1	O	Q	R	T
EKM-1218-O	20.63	11.42	5.20	5.71	2" NPT	4.61	-	-	5.59	-	-	-	7.48	ø0.43 x 1.1	2" NPT	4.72
EKM-1224-O	26.61	17.40	5.20	5.71	2" NPT	4.61	-	-	5.59	-	-	-	7.48	ø0.43 x 1.1	2" NPT	4.72
EKM-1230-O	32.64	23.43	5.20	5.71	2" NPT	4.61	-	-	5.59	-	-	-	7.48	ø0.43 x 1.1	2" NPT	4.72
EKM-1236-O	38.62	29.41	5.20	5.71	2" NPT	4.61	-	-	5.59	-	-	-	7.48	ø0.43 x 1.1	2" NPT	4.72
EKM-1242-O	44.65	35.43	5.20	5.71	2" NPT	4.61	-	-	5.59	-	-	-	7.48	ø0.43 x 1.1	2" NPT	4.72
EKM-1248-O	50.36	41.42	5.20	5.71	2" NPT	4.61	-	-	5.59	-	-	-	7.48	ø0.43 x 1.1	2" NPT	4.72
EKM-1254-O	56.61	47.40	5.20	5.71	2" NPT	4.61	-	-	5.59	-	-	-	7.48	ø0.43 x 1.1	2" NPT	4.72
EKM-1260-O	62.60	53.43	5.20	5.71	2" NPT	4.61	-	-	5.59	-	-	-	7.48	ø0.43 x 1.1	2" NPT	4.72
EKM-1266-O	68.62	59.41	5.20	5.71	2" NPT	4.61	-	-	5.59	-	-	-	7.48	ø0.43 x 1.1	2" NPT	4.72
EKM-1272-O	74.61	65.39	5.20	5.71	2" NPT	4.61	-	-	5.59	-	-	-	7.48	ø0.43 x 1.1	2" NPT	4.72
EKM-1278-O	80.63	71.42	5.20	5.71	2" NPT	4.61	-	-	5.59	-	-	-	7.48	ø0.43 x 1.1	2" NPT	4.72
EKM-1284-O	86.61	77.40	5.20	5.71	2" NPT	4.61	-	-	5.59	-	-	-	7.48	ø0.43 x 1.1	2" NPT	4.72
Type	A	B	D	E	F	G	I	K	L	M	N	N1	O	Q	R	T
EKM-1218-T	20.63	11.42	5.20	5.71	2" NPT	4.61	3.43	2" NPT	5.59	-	-	-	7.48	ø0.43 x 1.1	-	4.72
EKM-1224-T	26.61	17.40	5.20	5.71	2" NPT	4.61	3.43	2" NPT	5.59	-	-	-	7.48	ø0.43 x 1.1	-	4.72
EKM-1230-T	32.64	23.43	5.20	5.71	2" NPT	4.61	3.43	2" NPT	5.59	-	-	-	7.48	ø0.43 x 1.1	-	4.72
EKM-1236-T	38.62	29.41	5.20	5.71	2" NPT	4.61	3.43	2" NPT	5.59	-	-	-	7.48	ø0.43 x 1.1	-	4.72
EKM-1242-T	44.65	35.43	5.20	5.71	2" NPT	4.61	3.43	2" NPT	5.59	-	-	-	7.48	ø0.43 x 1.1	-	4.72
EKM-1248-T	50.36	41.42	5.20	5.71	2" NPT	4.61	3.43	2" NPT	5.59	-	-	-	7.48	ø0.43 x 1.1	-	4.72
EKM-1254-T	56.61	47.40	5.20	5.71	2" NPT	4.61	3.43	2" NPT	5.59	-	-	-	7.48	ø0.43 x 1.1	-	4.72
EKM-1260-T	62.60	53.43	5.20	5.71	2" NPT	4.61	3.43	2" NPT	5.59	-	-	-	7.48	ø0.43 x 1.1	-	4.72
EKM-1266-T	68.62	59.41	5.20	5.71	2" NPT	4.61	3.43	2" NPT	5.59	-	-	-	7.48	ø0.43 x 1.1	-	4.72
EKM-1272-T	74.61	65.39	5.20	5.71	2" NPT	4.61	3.43	2" NPT	5.59	-	-	-	7.48	ø0.43 x 1.1	-	4.72
EKM-1278-T	80.63	71.42	5.20	5.71	2" NPT	4.61	3.43	2" NPT	5.59	-	-	-	7.48	ø0.43 x 1.1	-	4.72
EKM-1284-T	86.61	77.40	5.20	5.71	2" NPT	4.61	3.43	2" NPT	5.59	-	-	-	7.48	ø0.43 x 1.1	-	4.72
Type	A	B	D	E	F	G	I	K	L	M	N	N1	O	Q	R	T
EKM-1218-F	20.63	11.42	5.20	5.71	2" NPT	4.61	-	-	5.59	1" NPT	2.76	0.98	7.48	ø0.43 x 1.1	-	4.72
EKM-1224-F	26.61	17.40	5.20	5.71	2" NPT	4.61	-	-	5.59	1" NPT	2.76	0.98	7.48	ø0.43 x 1.1	-	4.72
EKM-1230-F	32.64	23.43	5.20	5.71	2" NPT	4.61	-	-	5.59	1" NPT	2.76	0.98	7.48	ø0.43 x 1.1	-	4.72
EKM-1236-F	38.62	29.41	5.20	5.71	2" NPT	4.61	-	-	5.59	1" NPT	2.76	0.98	7.48	ø0.43 x 1.1	-	4.72
EKM-1242-F	44.65	35.43	5.20	5.71	2" NPT	4.61	-	-	5.59	1" NPT	2.76	0.98	7.48	ø0.43 x 1.1	-	4.72
EKM-1248-F	50.36	41.42	5.20	5.71	2" NPT	4.61	-	-	5.59	1" NPT	2.76	0.98	7.48	ø0.43 x 1.1	-	4.72
EKM-1254-F	56.61	47.40	5.20	5.71	2" NPT	4.61	-	-	5.59	1" NPT	2.76	0.98	7.48	ø0.43 x 1.1	-	4.72
EKM-1260-F	62.60	53.43	5.20	5.71	2" NPT	4.61	-	-	5.59	1" NPT	2.76	0.98	7.48	ø0.43 x 1.1	-	4.72
EKM-1266-F	68.62	59.41	5.20	5.71	2" NPT	4.61	-	-	5.59	1" NPT	2.76	0.98	7.48	ø0.43 x 1.1	-	4.72
EKM-1272-F	74.61	65.39	5.20	5.71	2" NPT	4.61	-	-	5.59	1" NPT	2.76	0.98	7.48	ø0.43 x 1.1	-	4.72
EKM-1278-F	80.63	71.42	5.20	5.71	2" NPT	4.61	-	-	5.59	1" NPT	2.76	0.98	7.48	ø0.43 x 1.1	-	4.72
EKM-1284-F	86.61	77.40	5.20	5.71	2" NPT	4.61	-	-	5.59	1" NPT	2.76	0.98	7.48	ø0.43 x 1.1	-	4.72

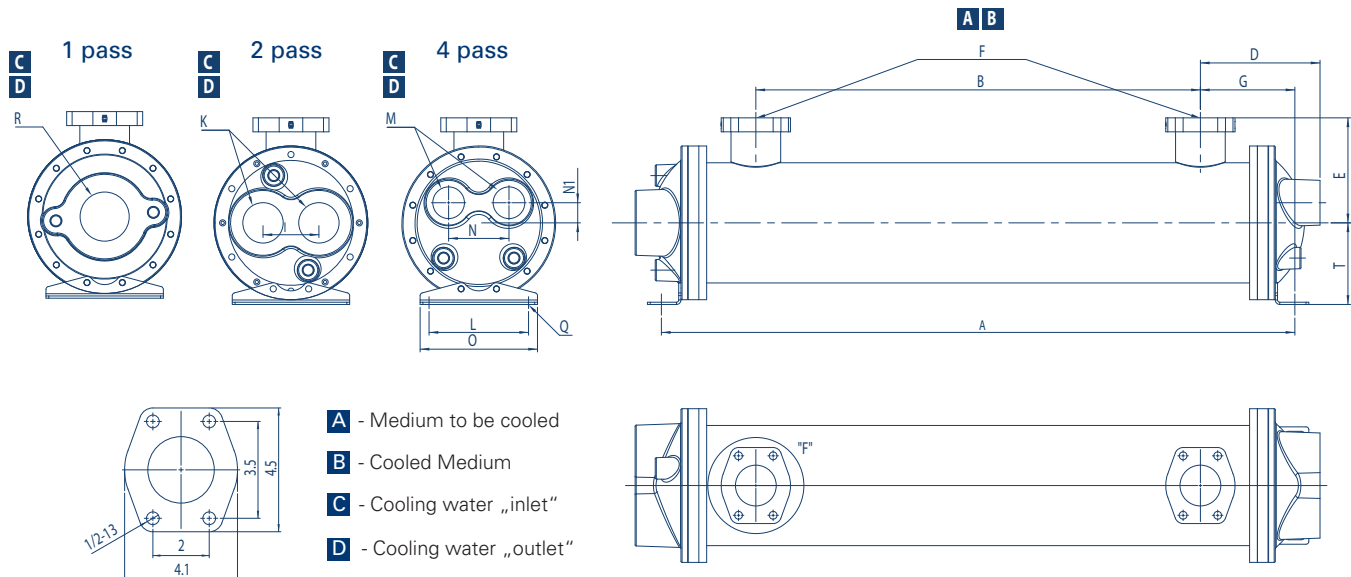
All dimensions in inch



## Unit dimensions EKM-1400-Series

Type	A	B	D	E	F	G	I	K	L	M	N	N1	O	Q	R	T
EKM-1424-O	27.72	16.14	6.14	4.69	2 1/2" NPT	5.79	-	-	5.51	-	-	-	8.27	ø0.43 x 1.85	2" NPT	5.12
EKM-1430-O	33.82	22.24	6.14	4.69	2 1/2" NPT	5.79	-	-	5.51	-	-	-	8.27	ø0.43 x 1.85	2" NPT	5.12
EKM-1436-O	39.92	28.35	6.14	4.69	2 1/2" NPT	5.79	-	-	5.51	-	-	-	8.27	ø0.43 x 1.85	2" NPT	5.12
EKM-1442-O	46.02	34.45	6.14	4.69	2 1/2" NPT	5.79	-	-	5.51	-	-	-	8.27	ø0.43 x 1.85	2" NPT	5.12
EKM-1448-O	52.13	40.55	6.14	4.69	2 1/2" NPT	5.79	-	-	5.51	-	-	-	8.27	ø0.43 x 1.85	2" NPT	5.12
EKM-1454-O	58.23	46.65	6.14	4.69	2 1/2" NPT	5.79	-	-	5.51	-	-	-	8.27	ø0.43 x 1.85	2" NPT	5.12
EKM-1460-O	64.33	52.76	6.14	4.69	2 1/2" NPT	5.79	-	-	5.51	-	-	-	8.27	ø0.43 x 1.85	2" NPT	5.12
EKM-1466-O	70.43	58.86	6.14	4.69	2 1/2" NPT	5.79	-	-	5.51	-	-	-	8.27	ø0.43 x 1.85	2" NPT	5.12
EKM-1472-O	76.54	64.96	6.14	4.69	2 1/2" NPT	5.79	-	-	5.51	-	-	-	8.27	ø0.43 x 1.85	2" NPT	5.12
EKM-1478-O	82.64	71.06	6.14	4.69	2 1/2" NPT	5.79	-	-	5.51	-	-	-	8.27	ø0.43 x 1.85	2" NPT	5.12
EKM-1484-O	88.74	77.17	6.14	4.69	2 1/2" NPT	5.79	-	-	5.51	-	-	-	8.27	ø0.43 x 1.85	2" NPT	5.12
Type	A	B	D	E	F	G	I	K	L	M	N	N1	O	Q	R	T
EKM-1424-T	27.72	16.14	6.14	4.69	2 1/2" NPT	5.79	3.70	2" NPT	5.51	-	-	-	8.27	ø0.43 x 1.85	-	5.12
EKM-1430-T	33.82	22.24	6.14	4.69	2 1/2" NPT	5.79	3.70	2" NPT	5.51	-	-	-	8.27	ø0.43 x 1.85	-	5.12
EKM-1436-T	39.92	28.35	6.14	4.69	2 1/2" NPT	5.79	3.70	2" NPT	5.51	-	-	-	8.27	ø0.43 x 1.85	-	5.12
EKM-1442-T	46.02	34.45	6.14	4.69	2 1/2" NPT	5.79	3.70	2" NPT	5.51	-	-	-	8.27	ø0.43 x 1.85	-	5.12
EKM-1448-T	52.13	40.55	6.14	4.69	2 1/2" NPT	5.79	3.70	2" NPT	5.51	-	-	-	8.27	ø0.43 x 1.85	-	5.12
EKM-1454-T	58.23	46.65	6.14	4.69	2 1/2" NPT	5.79	3.70	2" NPT	5.51	-	-	-	8.27	ø0.43 x 1.85	-	5.12
EKM-1460-T	64.33	52.76	6.14	4.69	2 1/2" NPT	5.79	3.70	2" NPT	5.51	-	-	-	8.27	ø0.43 x 1.85	-	5.12
EKM-1466-T	70.43	58.86	6.14	4.69	2 1/2" NPT	5.79	3.70	2" NPT	5.51	-	-	-	8.27	ø0.43 x 1.85	-	5.12
EKM-1472-T	76.54	64.96	6.14	4.69	2 1/2" NPT	5.79	3.70	2" NPT	5.51	-	-	-	8.27	ø0.43 x 1.85	-	5.12
EKM-1478-T	82.64	71.06	6.14	4.69	2 1/2" NPT	5.79	3.70	2" NPT	5.51	-	-	-	8.27	ø0.43 x 1.85	-	5.12
EKM-1484-T	88.74	77.17	6.14	4.69	2 1/2" NPT	5.79	3.70	2" NPT	5.51	-	-	-	8.27	ø0.43 x 1.85	-	5.12
Type	A	B	D	E	F	G	I	K	L	M	N	N1	O	Q	R	T
EKM-1424-F	27.72	16.14	6.14	6.26	2 1/2" NPT	5.79	-	-	5.51	1 1/2" NPT	3.15	1.42	8.27	ø0.43 x 1.85	-	5.12
EKM-1430-F	33.82	22.24	6.14	6.26	2 1/2" NPT	5.79	-	-	5.51	1 1/2" NPT	3.15	1.42	8.27	ø0.43 x 1.85	-	5.12
EKM-1436-F	39.92	28.35	6.14	6.26	2 1/2" NPT	5.79	-	-	5.51	1 1/2" NPT	3.15	1.42	8.27	ø0.43 x 1.85	-	5.12
EKM-1442-F	46.02	34.45	6.14	6.26	2 1/2" NPT	5.79	-	-	5.51	1 1/2" NPT	3.15	1.42	8.27	ø0.43 x 1.85	-	5.12
EKM-1448-F	52.13	40.55	6.14	6.26	2 1/2" NPT	5.79	-	-	5.51	1 1/2" NPT	3.15	1.42	8.27	ø0.43 x 1.85	-	5.12
EKM-1454-F	58.23	46.65	6.14	6.26	2 1/2" NPT	5.79	-	-	5.51	1 1/2" NPT	3.15	1.42	8.27	ø0.43 x 1.85	-	5.12
EKM-1460-F	64.33	52.76	6.14	6.26	2 1/2" NPT	5.79	-	-	5.51	1 1/2" NPT	3.15	1.42	8.27	ø0.43 x 1.85	-	5.12
EKM-1466-F	70.43	58.86	6.14	6.26	2 1/2" NPT	5.79	-	-	5.51	1 1/2" NPT	3.15	1.42	8.27	ø0.43 x 1.85	-	5.12
EKM-1472-F	76.54	64.96	6.14	6.26	2 1/2" NPT	5.79	-	-	5.51	1 1/2" NPT	3.15	1.42	8.27	ø0.43 x 1.85	-	5.12
EKM-1478-F	82.64	71.06	6.14	6.26	2 1/2" NPT	5.79	-	-	5.51	1 1/2" NPT	3.15	1.42	8.27	ø0.43 x 1.85	-	5.12
EKM-1484-F	88.74	77.17	6.14	6.26	2 1/2" NPT	5.79	-	-	5.51	1 1/2" NPT	3.15	1.42	8.27	ø0.43 x 1.85	-	5.12

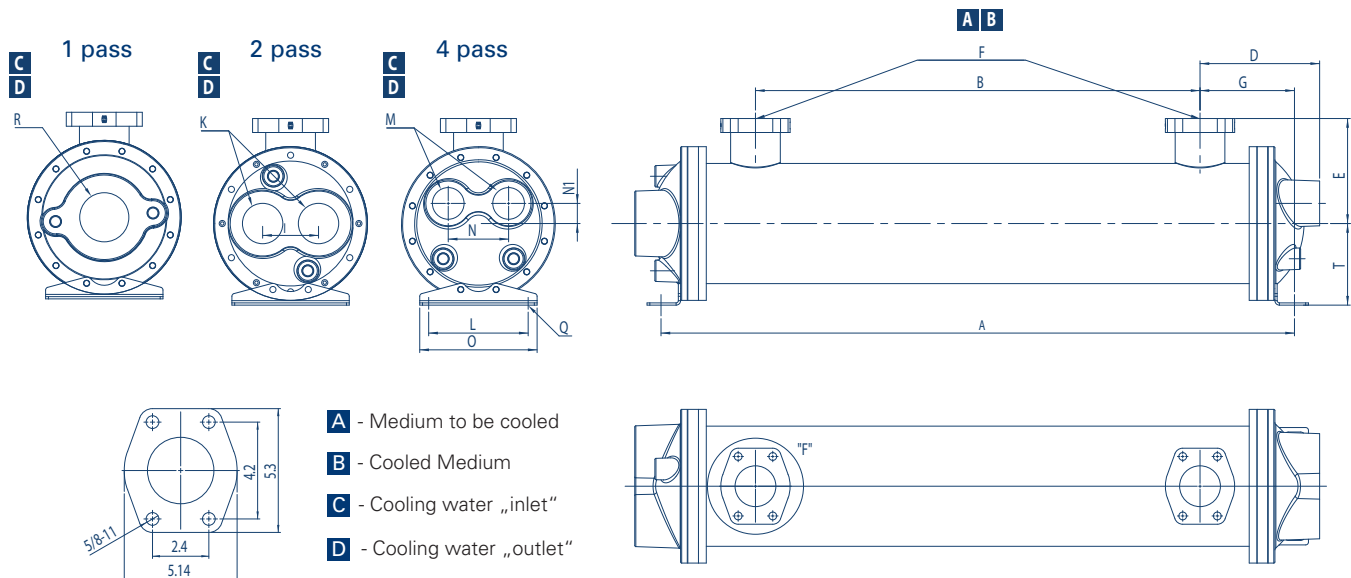
All dimensions in inch



## Unit dimensions EKM-1700-Series

Type	A	B	D	E	F	G	I	K	L	M	N	N1	O	Q	R	T
EKM-1724-O	27.80	14.49	7.40	7.40	3"NPT	6.65	-	-	7.01	-	-	-	8.27	ø0.62 x 1.50	3"NPT	5.75
EKM-1730-O	33.82	20.51	7.40	7.40	3"NPT	6.65	-	-	7.01	-	-	-	8.27	ø0.62 x 1.50	3"NPT	5.75
EKM-1736-O	39.80	26.50	7.40	7.40	3"NPT	6.65	-	-	7.01	-	-	-	8.27	ø0.62 x 1.50	3"NPT	5.75
EKM-1742-O	45.83	32.52	7.40	7.40	3"NPT	6.65	-	-	7.01	-	-	-	8.27	ø0.62 x 1.50	3"NPT	5.75
EKM-1748-O	51.81	38.50	7.40	7.40	3"NPT	6.65	-	-	7.01	-	-	-	8.27	ø0.62 x 1.50	3"NPT	5.75
EKM-1754-O	57.80	44.49	7.40	7.40	3"NPT	6.65	-	-	7.01	-	-	-	8.27	ø0.62 x 1.50	3"NPT	5.75
EKM-1760-O	63.82	50.51	7.40	7.40	3"NPT	6.65	-	-	7.01	-	-	-	8.27	ø0.62 x 1.50	3"NPT	5.75
EKM-1766-O	69.80	56.50	7.40	7.40	3"NPT	6.65	-	-	7.01	-	-	-	8.27	ø0.62 x 1.50	3"NPT	5.75
EKM-1772-O	75.79	62.48	7.40	7.40	3"NPT	6.65	-	-	7.01	-	-	-	8.27	ø0.62 x 1.50	3"NPT	5.75
EKM-1778-O	81.81	68.50	7.40	7.40	3"NPT	6.65	-	-	7.01	-	-	-	8.27	ø0.62 x 1.50	3"NPT	5.75
EKM-1784-O	87.80	74.53	7.40	7.40	3"NPT	6.65	-	-	7.01	-	-	-	8.27	ø0.62 x 1.50	3"NPT	5.75
Type	A	B	D	E	F	G	I	K	L	M	N	N1	O	Q	R	T
EKM-1724-T	27.80	14.49	8.43	7.40	3"NPT	6.65	3.94	2"NPT	7.01	-	-	-	8.27	ø0.62 x 1.50	-	5.75
EKM-1730-T	33.82	20.51	8.43	7.40	3"NPT	6.65	3.94	2"NPT	7.01	-	-	-	8.27	ø0.62 x 1.50	-	5.75
EKM-1736-T	39.80	26.50	8.43	7.40	3"NPT	6.65	3.94	2"NPT	7.01	-	-	-	8.27	ø0.62 x 1.50	-	5.75
EKM-1742-T	45.83	32.52	8.43	7.40	3"NPT	6.65	3.94	2"NPT	7.01	-	-	-	8.27	ø0.62 x 1.50	-	5.75
EKM-1748-T	51.81	38.50	8.43	7.40	3"NPT	6.65	3.94	2"NPT	7.01	-	-	-	8.27	ø0.62 x 1.50	-	5.75
EKM-1754-T	57.80	44.49	8.43	7.40	3"NPT	6.65	3.94	2"NPT	7.01	-	-	-	8.27	ø0.62 x 1.50	-	5.75
EKM-1760-T	63.82	50.51	8.43	7.40	3"NPT	6.65	3.94	2"NPT	7.01	-	-	-	8.27	ø0.62 x 1.50	-	5.75
EKM-1766-T	69.80	56.50	8.43	7.40	3"NPT	6.65	3.94	2"NPT	7.01	-	-	-	8.27	ø0.62 x 1.50	-	5.75
EKM-1772-T	75.79	62.48	8.43	7.40	3"NPT	6.65	3.94	2"NPT	7.01	-	-	-	8.27	ø0.62 x 1.50	-	5.75
EKM-1778-T	81.81	68.50	8.43	7.40	3"NPT	6.65	3.94	2"NPT	7.01	-	-	-	8.27	ø0.62 x 1.50	-	5.75
EKM-1784-T	87.80	74.53	8.43	7.40	3"NPT	6.65	3.94	2"NPT	7.01	-	-	-	8.27	ø0.62 x 1.50	-	5.75
Type	A	B	D	E	F	G	I	K	L	M	N	N1	O	Q	R	T
EKM-1724-F	27.80	14.49	8.43	7.40	3"NPT	6.65	-	-	7.01	2"NPT	4.25	1.42	8.27	ø0.62 x 1.50	-	5.75
EKM-1730-F	33.82	20.51	8.43	7.40	3"NPT	6.65	-	-	7.01	2"NPT	4.25	1.42	8.27	ø0.62 x 1.50	-	5.75
EKM-1736-F	39.80	26.50	8.43	7.40	3"NPT	6.65	-	-	7.01	2"NPT	4.25	1.42	8.27	ø0.62 x 1.50	-	5.75
EKM-1742-F	45.83	32.52	8.43	7.40	3"NPT	6.65	-	-	7.01	2"NPT	4.25	1.42	8.27	ø0.62 x 1.50	-	5.75
EKM-1748-F	51.81	38.50	8.43	7.40	3"NPT	6.65	-	-	7.01	2"NPT	4.25	1.42	8.27	ø0.62 x 1.50	-	5.75
EKM-1754-F	57.80	44.49	8.43	7.40	3"NPT	6.65	-	-	7.01	2"NPT	4.25	1.42	8.27	ø0.62 x 1.50	-	5.75
EKM-1760-F	63.82	50.51	8.43	7.40	3"NPT	6.65	-	-	7.01	2"NPT	4.25	1.42	8.27	ø0.62 x 1.50	-	5.75
EKM-1766-F	69.80	56.50	8.43	7.40	3"NPT	6.65	-	-	7.01	2"NPT	4.25	1.42	8.27	ø0.62 x 1.50	-	5.75
EKM-1772-F	75.79	62.48	8.43	7.40	3"NPT	6.65	-	-	7.01	2"NPT	4.25	1.42	8.27	ø0.62 x 1.50	-	5.75
EKM-1778-F	81.81	68.50	8.43	7.40	3"NPT	6.65	-	-	7.01	2"NPT	4.25	1.42	8.27	ø0.62 x 1.50	-	5.75
EKM-1784-F	87.80	74.53	8.43	7.40	3"NPT	6.65	-	-	7.01	2"NPT	4.25	1.42	8.27	ø0.62 x 1.50	-	5.75

All dimensions in inch

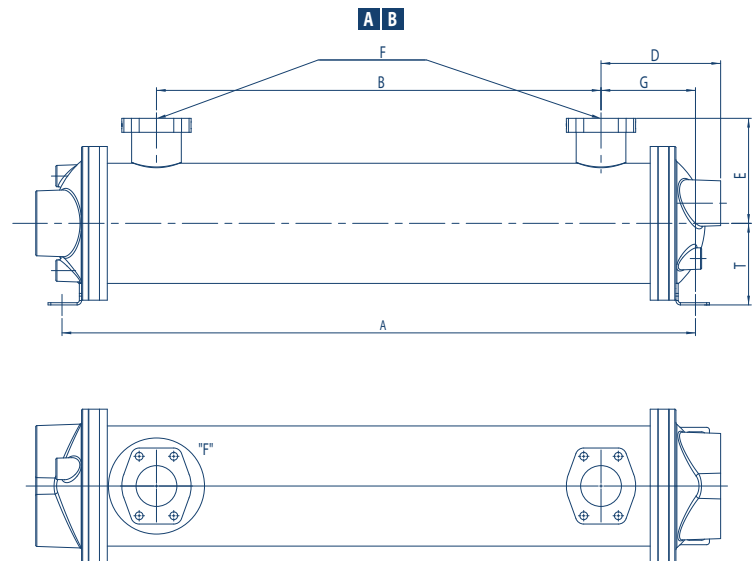
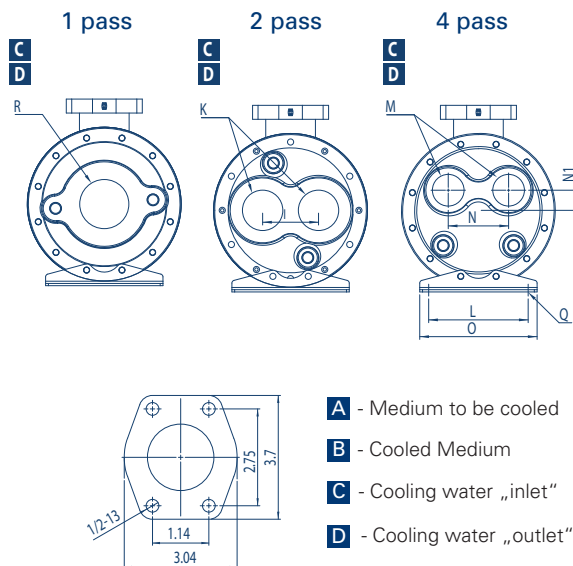




## Unit dimensions SCM-1000-Series

Type	A	B	D	E	F	G	I	K	L	M	N	N1	O	Q	R	T
SCM-1012-O	15.61	6.18	4.59	3.62	2"NPT	4.71	-	-	4.02	-	-	-	6.50	ø0.43 x 0.098	1 1/2"NPT	4.06
SCM-1014-O	17.62	8.19	4.59	3.62	2"NPT	4.71	-	-	4.02	-	-	-	6.50	ø0.43 x 0.098	1 1/2"NPT	4.06
SCM-1018-O	21.59	12.17	4.59	3.62	2"NPT	4.71	-	-	4.02	-	-	-	6.50	ø0.43 x 0.098	1 1/2"NPT	4.06
SCM-1024-O	27.62	18.19	4.59	3.62	2"NPT	4.71	-	-	4.02	-	-	-	6.50	ø0.43 x 0.098	1 1/2"NPT	4.06
SCM-1036-O	39.59	30.16	4.59	3.62	2"NPT	4.71	-	-	4.02	-	-	-	6.50	ø0.43 x 0.098	1 1/2"NPT	4.06
SCM-1048-O	51.44	42.01	4.59	3.74	2"NPT	4.71	-	-	4.02	-	-	-	6.50	ø0.43 x 0.098	1 1/2"NPT	4.06
SCM-1060-O	63.44	54.02	4.59	3.62	2"NPT	4.71	-	-	4.02	-	-	-	6.50	ø0.43 x 0.098	1 1/2"NPT	4.06
SCM-1078-O	81.44	72.01	4.59	3.62	2"NPT	4.71	-	-	4.02	-	-	-	6.50	ø0.43 x 0.098	1 1/2"NPT	4.06
Type	A	B	D	E	F	G	I	K	L	M	N	N1	O	Q	R	T
SCM-1012-T	15.61	6.18	4.47	3.62	2"NPT	4.71	2.36	1"NPT	4.02	-	-	-	6.50	ø0.43 x 0.098	-	4.06
SCM-1014-T	17.62	8.19	4.47	3.62	2"NPT	4.71	2.36	1"NPT	4.02	-	-	-	6.50	ø0.43 x 0.098	-	4.06
SCM-1018-T	21.59	12.17	4.47	3.62	2"NPT	4.71	2.36	1"NPT	4.02	-	-	-	6.50	ø0.43 x 0.098	-	4.06
SCM-1024-T	27.62	18.19	4.47	3.62	2"NPT	4.71	2.36	1"NPT	4.02	-	-	-	6.50	ø0.43 x 0.098	-	4.06
SCM-1036-T	39.59	30.16	4.47	3.62	2"NPT	4.71	2.36	1"NPT	4.02	-	-	-	6.50	ø0.43 x 0.098	-	4.06
SCM-1048-T	51.44	42.01	4.47	3.62	2"NPT	4.71	2.36	1"NPT	4.02	-	-	-	6.50	ø0.43 x 0.098	-	4.06
SCM-1060-T	63.44	54.02	4.47	3.62	2"NPT	4.71	2.36	1"NPT	4.02	-	-	-	6.50	ø0.43 x 0.098	-	4.06
SCM-1078-T	81.44	72.05	4.47	3.62	2"NPT	4.69	2.36	1"NPT	4.02	-	-	-	6.50	ø0.43 x 0.098	-	4.06
Type	A	B	D	E	F	G	I	K	L	M	N	N1	O	Q	R	T
SCM-1012-F	15.61	6.18	4.47	3.62	2"NPT	4.71	-	-	4.02	G3/4"	2.48	0.87	6.50	ø0.43 x 0.098	-	4.06
SCM-1014-F	17.62	8.19	4.47	3.62	2"NPT	4.71	-	-	4.02	G3/4"	2.48	0.87	6.50	ø0.43 x 0.098	-	4.06
SCM-1018-F	21.59	12.17	4.47	3.62	2"NPT	4.71	-	-	4.02	G3/4"	2.48	0.87	6.50	ø0.43 x 0.098	-	4.06
SCM-1024-F	27.62	18.19	4.47	3.62	2"NPT	4.71	-	-	4.02	G3/4"	2.48	0.87	6.50	ø0.43 x 0.098	-	4.06
SCM-1036-F	39.59	30.16	4.47	3.62	2"NPT	4.71	-	-	4.02	G3/4"	2.48	0.87	6.50	ø0.43 x 0.098	-	4.06
SCM-1048-F	51.44	42.01	4.47	3.62	2"NPT	4.71	-	-	4.02	G3/4"	2.48	0.87	6.50	ø0.43 x 0.098	-	4.06
SCM-1060-F	63.44	54.02	4.47	3.62	2"NPT	4.71	-	-	4.02	G3/4"	2.48	0.87	6.50	ø0.43 x 0.098	-	4.06
SCM-1078-F	81.44	72.05	4.47	3.62	2"NPT	4.69	-	-	4.02	G3/4"	2.48	0.87	6.50	ø0.43 x 0.098	-	4.06

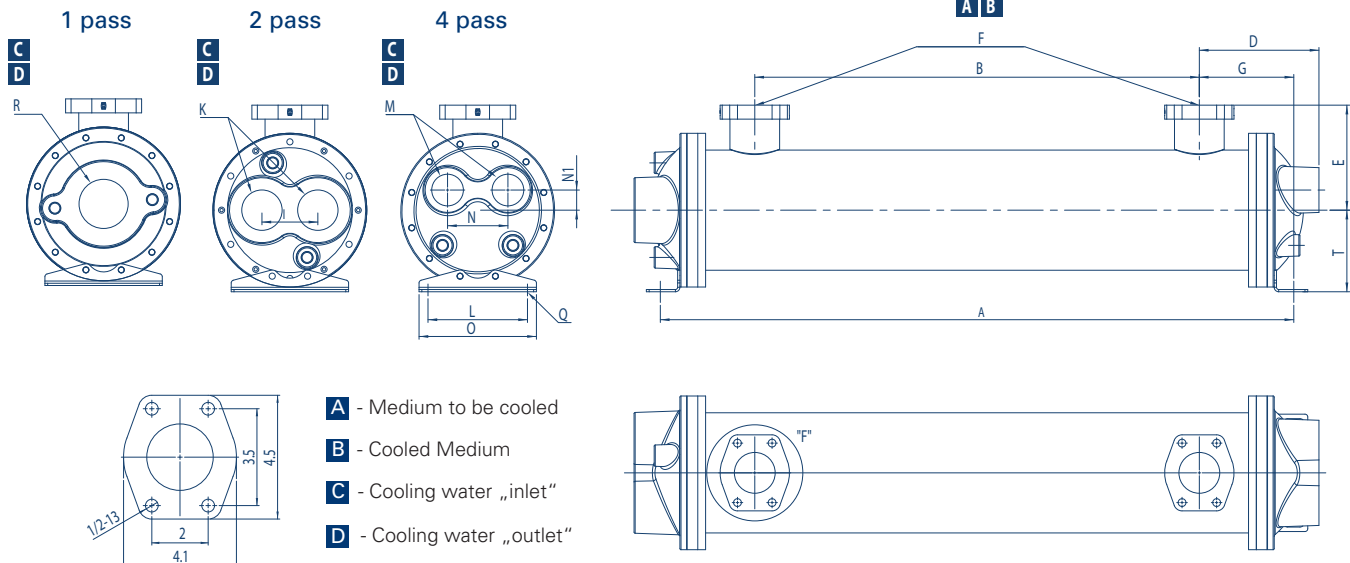
All dimensions in inch



## Unit dimensions SCM-1200-Series

Type	A	B	D	E	F	G	I	K	L	M	N	N1	O	Q	R	T
SCM-1218-O	22.05	12.99	4.47	5.71	2" NPT	4.53	-	-	5.00	-	-	-	6.26	ø0.53 x 1.08	2" NPT	4.49
SCM-1224-O	28.03	18.98	4.47	5.71	2" NPT	4.53	-	-	5.00	-	-	-	6.26	ø0.53 x 1.08	2" NPT	4.49
SCM-1230-O	32.17	23.11	4.47	5.71	2" NPT	4.53	-	-	5.00	-	-	-	6.26	ø0.53 x 1.08	2" NPT	4.49
SCM-1236-O	39.29	30.24	4.47	5.71	2" NPT	4.53	-	-	5.00	-	-	-	6.26	ø0.53 x 1.08	2" NPT	4.49
SCM-1242-O	45.28	36.22	4.47	5.71	2" NPT	4.53	-	-	5.00	-	-	-	6.26	ø0.53 x 1.08	2" NPT	4.49
SCM-1248-O	51.30	42.24	4.47	5.71	2" NPT	4.53	-	-	5.00	-	-	-	6.26	ø0.53 x 1.08	2" NPT	4.49
SCM-1254-O	57.24	48.19	4.47	5.71	2" NPT	4.53	-	-	5.00	-	-	-	6.26	ø0.53 x 1.08	2" NPT	4.49
SCM-1260-O	63.19	54.13	4.47	5.71	2" NPT	4.53	-	-	5.00	-	-	-	6.26	ø0.53 x 1.08	2" NPT	4.49
SCM-1266-O	69.17	60.12	4.47	5.71	2" NPT	4.53	-	-	5.00	-	-	-	6.26	ø0.53 x 1.08	2" NPT	4.49
SCM-1272-O	75.20	66.14	4.47	5.71	2" NPT	4.53	-	-	5.00	-	-	-	6.26	ø0.53 x 1.08	2" NPT	4.49
SCM-1278-O	81.22	72.17	4.47	5.71	2" NPT	4.53	-	-	5.00	-	-	-	6.26	ø0.53 x 1.08	2" NPT	4.49
SCM-1284-O	87.24	78.19	4.47	5.71	2" NPT	4.53	-	-	5.00	-	-	-	6.26	ø0.53 x 1.08	2" NPT	4.49
Type	A	B	D	E	F	G	I	K	L	M	N	N1	O	Q	R	T
SCM-1218-T	22.05	12.99	5.26	5.71+5.51	2" NPT	4.53	3.15	2" NPT	5.00	-	-	-	6.26	ø0.53 x 1.08	-	4.49
SCM-1224-T	28.03	18.98	5.26	5.71+5.51	2" NPT	4.53	3.43	2" NPT	5.00	-	-	-	6.26	ø0.53 x 1.08	-	4.49
SCM-1230-T	32.24	23.19	5.26	5.71+5.51	2" NPT	4.53	3.43	2" NPT	5.00	-	-	-	6.26	ø0.53 x 1.08	-	4.49
SCM-1236-T	39.29	30.24	5.26	5.71+5.51	2" NPT	4.53	3.43	2" NPT	5.00	-	-	-	6.26	ø0.53 x 1.08	-	4.49
SCM-1242-T	45.28	36.22	5.26	5.71+5.51	2" NPT	4.53	3.43	2" NPT	5.00	-	-	-	6.26	ø0.53 x 1.08	-	4.49
SCM-1248-T	51.30	42.24	5.26	5.71+5.51	2" NPT	4.53	3.43	2" NPT	5.00	-	-	-	6.26	ø0.53 x 1.08	-	4.49
SCM-1254-T	57.24	48.19	5.26	5.71+5.51	2" NPT	4.53	3.43	2" NPT	5.00	-	-	-	6.26	ø0.53 x 1.08	-	4.49
SCM-1260-T	63.23	54.17	5.26	5.71+5.51	2" NPT	4.53	3.43	2" NPT	5.00	-	-	-	6.26	ø0.53 x 1.08	-	4.49
SCM-1266-T	69.17	60.12	5.26	5.71+5.51	2" NPT	4.53	3.43	2" NPT	5.00	-	-	-	6.26	ø0.53 x 1.08	-	4.49
SCM-1272-T	75.20	66.14	5.26	5.71+5.51	2" NPT	4.53	3.43	2" NPT	5.00	-	-	-	6.26	ø0.53 x 1.08	-	4.49
SCM-1278-T	81.22	72.17	5.26	5.71+5.51	2" NPT	4.53	3.43	2" NPT	5.00	-	-	-	6.26	ø0.53 x 1.08	-	4.49
SCM-1284-T	87.20	78.15	5.26	5.71+5.51	2" NPT	4.53	3.43	2" NPT	5.00	-	-	-	6.26	ø0.53 x 1.08	-	4.49
Type	A	B	D	E	F	G	I	K	L	M	N	N1	O	Q	R	T
SCM-1218-F	22.05	12.99	4.47	5.71+5.51	2" NPT	4.53	-	-	5.00	1" NPT	2.76	0.98	6.26	ø0.53 x 1.08	-	4.49
SCM-1224-F	28.03	18.98	4.47	5.71+5.51	2" NPT	4.53	-	-	5.00	1" NPT	2.76	0.98	6.26	ø0.53 x 1.08	-	4.49
SCM-1230-F	32.24	23.19	4.47	5.71+5.51	2" NPT	4.53	-	-	5.00	1" NPT	2.76	0.98	6.26	ø0.53 x 1.08	-	4.49
SCM-1236-F	39.29	30.24	4.47	5.71+5.51	2" NPT	4.53	-	-	5.00	1" NPT	2.76	0.98	6.26	ø0.53 x 1.08	-	4.49
SCM-1242-F	45.28	36.22	4.47	5.71+5.51	2" NPT	4.53	-	-	5.00	1" NPT	2.76	0.98	6.26	ø0.53 x 1.08	-	4.49
SCM-1248-F	51.30	42.24	4.47	5.71+5.51	2" NPT	4.53	-	-	5.00	1" NPT	2.76	0.98	6.26	ø0.53 x 1.08	-	4.49
SCM-1254-F	57.24	48.19	4.47	5.71+5.51	2" NPT	4.53	-	-	5.00	1" NPT	2.76	0.98	6.26	ø0.53 x 1.08	-	4.49
SCM-1260-F	63.23	54.17	4.47	5.71+5.51	2" NPT	4.53	-	-	5.00	1" NPT	2.76	0.98	6.26	ø0.53 x 1.08	-	4.49
SCM-1266-F	69.17	60.12	4.47	5.71+5.51	2" NPT	4.53	-	-	5.00	1" NPT	2.76	0.98	6.26	ø0.53 x 1.08	-	4.49
SCM-1272-F	75.20	66.14	4.47	5.71+5.51	2" NPT	4.53	-	-	5.00	1" NPT	2.76	0.98	6.26	ø0.53 x 1.08	-	4.49
SCM-1278-F	81.22	72.17	4.47	5.71+5.51	2" NPT	4.53	-	-	5.00	1" NPT	2.76	0.98	6.26	ø0.53 x 1.08	-	4.49
SCM-1284-F	87.20	78.15	4.47	5.71+5.51	2" NPT	4.53	-	-	5.00	1" NPT	2.76	0.98	6.26	ø0.53 x 1.08	-	4.49

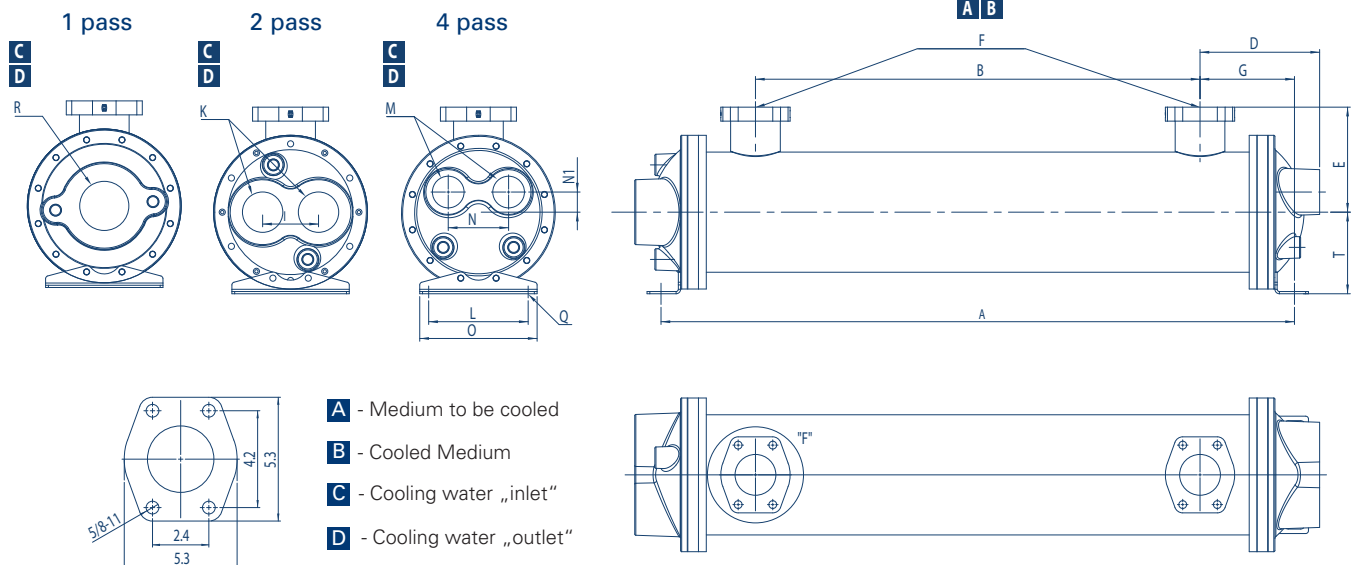
All dimensions in inch



## Unit dimensions SCM-1700-Series

Type	A	B	D	E	F	G	I	K	L	M	N	N1	O	Q	R	T
SCM-1724-O	27.80	14.49	7.40	7.40	3"NPT	6.65	-	-	7.01	-	-	-	8.27	ø0.63 x 1.50	3"NPT	5.75
SCM-1730-O	33.82	20.51	7.40	7.40	3"NPT	6.65	-	-	7.01	-	-	-	8.27	ø0.63 x 1.50	3"NPT	5.75
SCM-1736-O	39.80	26.50	7.40	7.40	3"NPT	6.65	-	-	7.01	-	-	-	8.27	ø0.63 x 1.50	3"NPT	5.75
SCM-1742-O	45.83	32.52	7.40	7.40	3"NPT	6.65	-	-	7.01	-	-	-	8.27	ø0.63 x 1.50	3"NPT	5.75
SCM-1748-O	51.81	38.50	7.40	7.40	3"NPT	6.65	-	-	7.01	-	-	-	8.27	ø0.63 x 1.50	3"NPT	5.75
SCM-1754-O	57.80	44.49	7.40	7.40	3"NPT	6.65	-	-	7.01	-	-	-	8.27	ø0.63 x 1.50	3"NPT	5.75
SCM-1760-O	63.82	50.51	7.40	7.40	3"NPT	6.65	-	-	7.01	-	-	-	8.27	ø0.63 x 1.50	3"NPT	5.75
SCM-1766-O	69.80	56.50	7.40	7.40	3"NPT	6.65	-	-	7.01	-	-	-	8.27	ø0.63 x 1.50	3"NPT	5.75
SCM-1772-O	75.79	62.48	7.40	7.40	3"NPT	6.65	-	-	7.01	-	-	-	8.27	ø0.63 x 1.50	3"NPT	5.75
SCM-1776-O	80.08	66.77	7.40	7.40	3"NPT	6.65	-	-	7.01	-	-	-	8.27	ø0.63 x 1.50	3"NPT	5.75
SCM-1778-O	81.81	68.50	7.40	7.40	3"NPT	6.65	-	-	7.01	-	-	-	8.27	ø0.63 x 1.50	3"NPT	5.75
SCM-1784-O	87.80	74.49	7.40	7.40	3"NPT	6.65	-	-	7.01	-	-	-	8.27	ø0.63 x 1.50	3"NPT	5.75
Type	A	B	D	E	F	G	I	K	L	M	N	N1	O	Q	R	T
SCM-1724-T	27.80	14.49	8.43	7.40	3"NPT	6.65	3.94	2"NPT	7.01	-	-	-	8.27	ø0.63 x 1.50	-	5.75
SCM-1730-T	33.82	20.51	8.43	7.40	3"NPT	6.65	3.94	2"NPT	7.01	-	-	-	8.27	ø0.63 x 1.50	-	5.75
SCM-1736-T	39.80	26.50	8.43	7.40	3"NPT	6.65	3.94	2"NPT	7.01	-	-	-	8.27	ø0.63 x 1.50	-	5.75
SCM-1742-T	45.83	32.52	8.43	7.40	3"NPT	6.65	3.94	2"NPT	7.01	-	-	-	8.27	ø0.63 x 1.50	-	5.75
SCM-1748-T	51.81	38.50	8.43	7.40	3"NPT	6.65	3.94	2"NPT	7.01	-	-	-	8.27	ø0.63 x 1.50	-	5.75
SCM-1754-T	57.80	44.49	8.43	7.40	3"NPT	6.65	3.94	2"NPT	7.01	-	-	-	8.27	ø0.63 x 1.50	-	5.75
SCM-1760-T	63.82	50.51	8.43	7.40	3"NPT	6.65	3.94	2"NPT	7.01	-	-	-	8.27	ø0.63 x 1.50	-	5.75
SCM-1766-T	69.80	56.50	8.43	7.40	3"NPT	6.65	3.94	2"NPT	7.01	-	-	-	8.27	ø0.63 x 1.50	-	5.75
SCM-1772-T	75.79	62.48	8.43	7.40	3"NPT	6.65	3.94	2"NPT	7.01	-	-	-	8.27	ø0.63 x 1.50	-	5.75
SCM-1776-T	80.08	66.77	8.43	7.40	3"NPT	6.65	3.94	2"NPT	7.01	-	-	-	8.27	ø0.63 x 1.50	-	5.75
SCM-1778-T	81.81	68.50	8.43	7.40	3"NPT	6.65	3.94	2"NPT	7.01	-	-	-	8.27	ø0.63 x 1.50	-	5.75
SCM-1784-T	87.80	74.49	8.43	7.40	3"NPT	6.65	3.94	2"NPT	7.01	-	-	-	8.27	ø0.63 x 1.50	-	5.75
Type	A	B	D	E	F	G	I	K	L	M	N	N1	O	Q	R	T
SCM-1724-F	27.80	14.49	8.43	7.40	3"NPT	6.65	-	-	7.01	2"NPT	4.25	1.42	8.27	ø0.63 x 1.50	-	5.75
SCM-1730-F	33.82	20.51	8.43	7.40	3"NPT	6.65	-	-	7.01	2"NPT	4.25	1.42	8.27	ø0.63 x 1.50	-	5.75
SCM-1736-F	39.80	26.50	8.43	7.40	3"NPT	6.65	-	-	7.01	2"NPT	4.25	1.42	8.27	ø0.63 x 1.50	-	5.75
SCM-1742-F	45.83	32.52	8.43	7.40	3"NPT	6.65	-	-	7.01	2"NPT	4.25	1.42	8.27	ø0.63 x 1.50	-	5.75
SCM-1748-F	51.81	38.50	8.43	7.40	3"NPT	6.65	-	-	7.01	2"NPT	4.25	1.42	8.27	ø0.63 x 1.50	-	5.75
SCM-1754-F	57.80	44.49	8.43	7.40	3"NPT	6.65	-	-	7.01	2"NPT	4.25	1.42	8.27	ø0.63 x 1.50	-	5.75
SCM-1760-F	63.82	50.51	8.43	7.40	3"NPT	6.65	-	-	7.01	2"NPT	4.25	1.42	8.27	ø0.63 x 1.50	-	5.75
SCM-1766-F	69.80	56.50	8.43	7.40	3"NPT	6.65	-	-	7.01	2"NPT	4.25	1.42	8.27	ø0.63 x 1.50	-	5.75
SCM-1772-F	75.79	62.48	8.43	7.40	3"NPT	6.65	-	-	7.01	2"NPT	4.25	1.42	8.27	ø0.63 x 1.50	-	5.75
SCM-1776-F	80.08	66.77	8.43	7.40	3"NPT	6.65	-	-	7.01	2"NPT	4.25	1.42	8.27	ø0.63 x 1.50	-	5.75
SCM-1778-F	81.81	68.50	8.43	7.40	3"NPT	6.65	-	-	7.01	2"NPT	4.25	1.42	8.27	ø0.63 x 1.50	-	5.75
SCM-1784-F	87.80	74.49	8.43	7.40	3"NPT	6.65	-	-	7.01	2"NPT	4.25	1.42	8.27	ø0.63 x 1.50	-	5.75

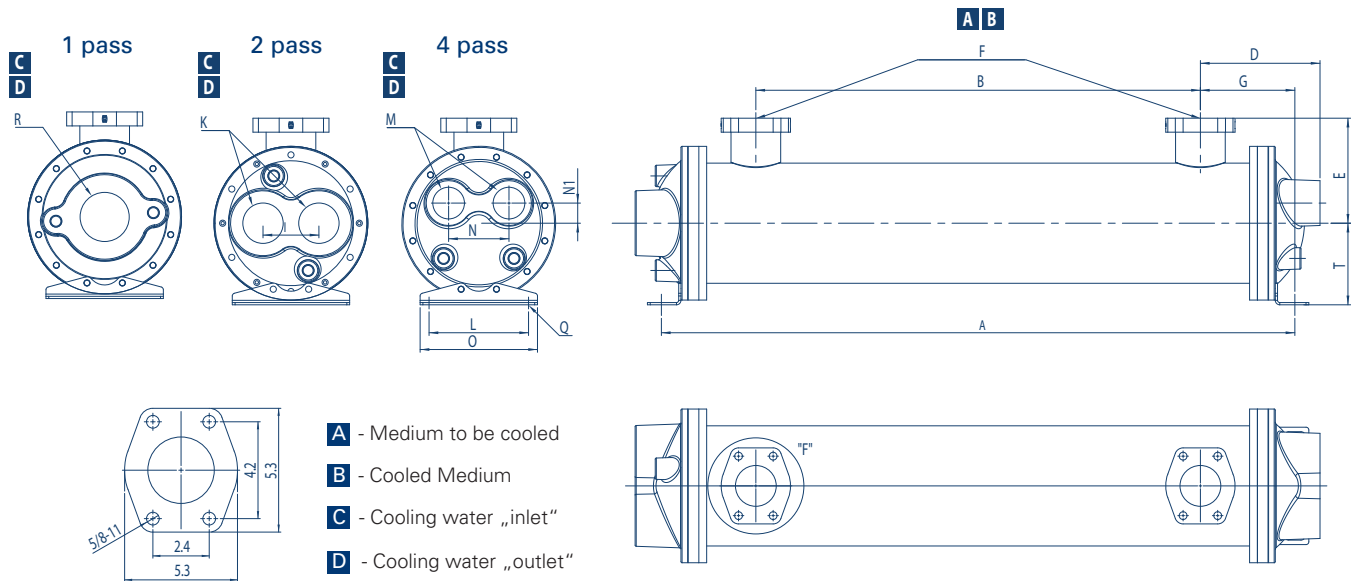
All dimensions in inch



## Unit dimensions SCM-2400-Series

Type	A	B	D	E	F	G	I	K	L	M	N	N1	O	Q	R	T
SCM-2436-O	variable	26.50	variable	10.94	5"NPT	-	-	-	13.86	-	-	-	15.75	ø0.87	5"NPT	12.56
SCM-2448-O	variable	38.50	variable	10.94	5"NPT	-	-	-	13.86	-	-	-	15.75	ø0.87	5"NPT	12.56
SCM-2460-O	variable	50.51	variable	10.94	5"NPT	-	-	-	13.86	-	-	-	15.75	ø0.87	5"NPT	12.56
SCM-2472-O	variable	75.79	variable	10.94	5"NPT	-	-	-	13.86	-	-	-	15.75	ø0.87	5"NPT	12.56
SCM-2484-O	variable	87.80	variable	10.94	5"NPT	-	-	-	13.86	-	-	-	15.75	ø0.87	5"NPT	12.56
Type	A	B	D	E	F	G	I	K	L	M	N	N1	O	Q	R	T
SCM-2436-T	variable	26.50	variable	10.94	5"NPT	-	6.50	4"NPT	13.86	-	-	-	15.75	ø0.87	-	12.56
SCM-2448-T	variable	38.50	variable	10.94	5"NPT	-	6.50	4"NPT	13.86	-	-	-	15.75	ø0.87	-	12.56
SCM-2460-T	variable	50.51	variable	10.94	5"NPT	-	6.50	4"NPT	13.86	-	-	-	15.75	ø0.87	-	12.56
SCM-2472-T	variable	75.79	variable	10.94	5"NPT	-	6.50	4"NPT	13.86	-	-	-	15.75	ø0.87	-	12.56
SCM-2484-T	variable	87.80	variable	10.94	5"NPT	-	6.50	4"NPT	13.86	-	-	-	15.75	ø0.87	-	12.56
Type	A	B	D	E	F	G	I	K	L	M	N	N1	O	Q	R	T
SCM-2436-F	variable	26.50	variable	10.94	5"NPT	-	-	-	13.86	3"NPT	5.71	2.17	15.75	ø0.87	-	12.56
SCM-2448-F	variable	38.50	variable	10.94	5"NPT	-	-	-	13.86	3"NPT	5.71	2.17	15.75	ø0.87	-	12.56
SCM-2460-F	variable	50.51	variable	10.94	5"NPT	-	-	-	13.86	3"NPT	5.71	2.17	15.75	ø0.87	-	12.56
SCM-2472-F	variable	75.79	variable	10.94	5"NPT	-	-	-	13.86	3"NPT	5.71	2.17	15.75	ø0.87	-	12.56
SCM-2484-F	variable	87.80	variable	10.94	5"NPT	-	-	-	13.86	3"NPT	5.71	2.17	15.75	ø0.87	-	12.56

All dimensions in inch



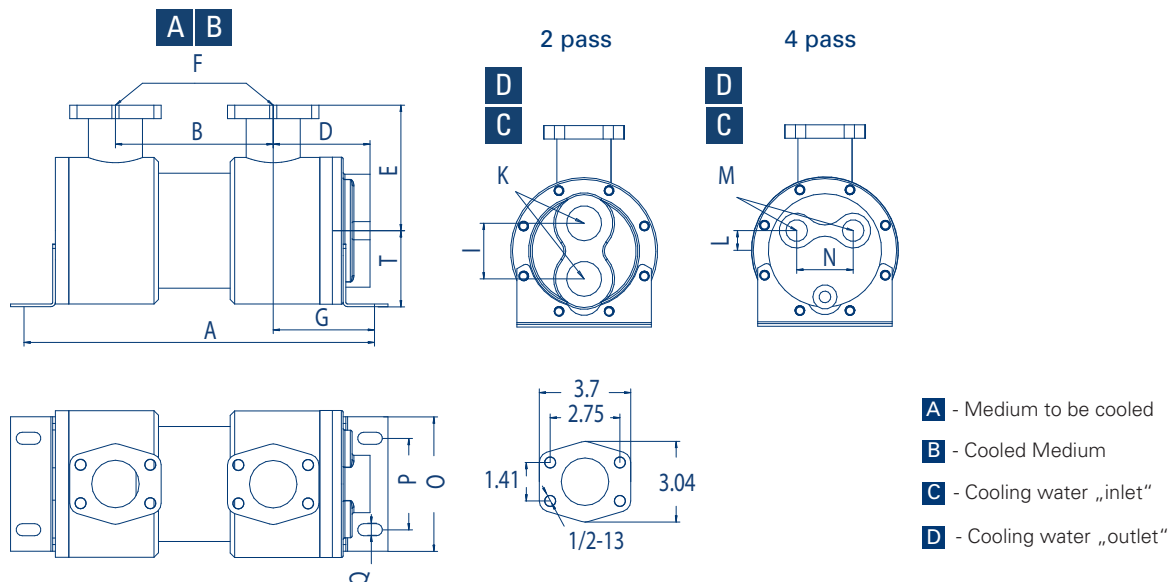
## Unit dimensions UKM-500/700-Series

Type	A	B	D	E	F	G	I	K	O	P	Q	T
UKM-508-T	12.20	6.99	2.60	2.95	G1"	2.80	1.38	G1/2"	3.74	2.50	ø0.34x0.63	2.17
UKM-512-T	16.14	10.96	2.64	2.95	G1"	2.80	1.38	G1/2"	3.74	2.50	ø0.34x0.63	2.20
UKM-514-T	18.15	12.97	2.64	2.95	G1"	2.80	1.38	G1/2"	3.74	2.50	ø0.34x0.63	2.20
UKM-518-T	22.17	16.99	2.64	2.95	G1"	2.80	1.38	G1/2"	3.74	2.50	ø0.34x0.63	2.20
UKM-524-T	28.15	22.97	2.64	2.95	G1"	2.80	1.38	G1/2"	3.74	2.50	ø0.34x0.63	2.20
UKM-536-T	40.16	34.98	2.64	2.95	G1"	2.80	1.38	G1/2"	3.74	2.50	ø0.34x0.63	2.20

Type	A	B	D	E	F	G	I	K	L	M	N	O	P	Q	T
UKM-708-T	12.76	6.10	3.39	3.54	G1 1/2"	3.54	1.85	G1"	-	-	-	4.72	2.99	ø0.43x0.98	2.60
UKM-712-T	16.73	10.08	3.39	3.54	G1 1/2"	3.54	1.85	G1"	-	-	-	4.72	2.99	ø0.43x0.98	2.60
UKM-714-T	18.74	12.09	3.39	3.54	G1 1/2"	3.54	1.85	G1"	-	-	-	4.72	2.99	ø0.43x0.98	2.60
UKM-718-T	22.76	16.10	3.39	3.54	G1 1/2"	3.54	1.85	G1"	-	-	-	4.72	2.99	ø0.43x0.98	2.60
UKM-724-T	28.74	22.09	3.39	3.54	G1 1/2"	3.54	1.85	G1"	-	-	-	4.72	2.99	ø0.43x0.98	2.60
UKM-736-T	40.75	34.09	3.39	3.54	G1 1/2"	3.54	1.85	G1"	-	-	-	4.72	2.99	ø0.43x0.98	2.60

Type	A	B	D	E	F	G	I	K	L	M	N	O	P	Q	T
UKM-708-F	12.76	6.10	3.39	3.54	G1 1/2"	3.46	-	-	0.71	G1/2"	1.89	4.72	2.99	ø0.43x0.98	2.60
UKM-712-F	16.73	10.08	3.39	3.54	G1 1/2"	3.46	-	-	0.71	G1/2"	1.89	4.72	2.99	ø0.43x0.98	2.60
UKM-714-F	18.74	12.09	3.39	3.54	G1 1/2"	3.46	-	-	0.71	G1/2"	1.89	4.72	2.99	ø0.43x0.98	2.60
UKM-718-F	22.76	16.10	3.39	3.54	G1 1/2"	3.46	-	-	0.71	G1/2"	1.89	4.72	2.99	ø0.43x0.98	2.60
UKM-724-F	28.74	22.09	3.39	3.54	G1 1/2"	3.46	-	-	0.71	G1/2"	1.89	4.72	2.99	ø0.43x0.98	2.60
UKM-736-F	40.75	34.09	3.39	3.54	G1 1/2"	3.46	-	-	0.71	G1/2"	1.89	4.72	2.99	ø0.43x0.98	2.60

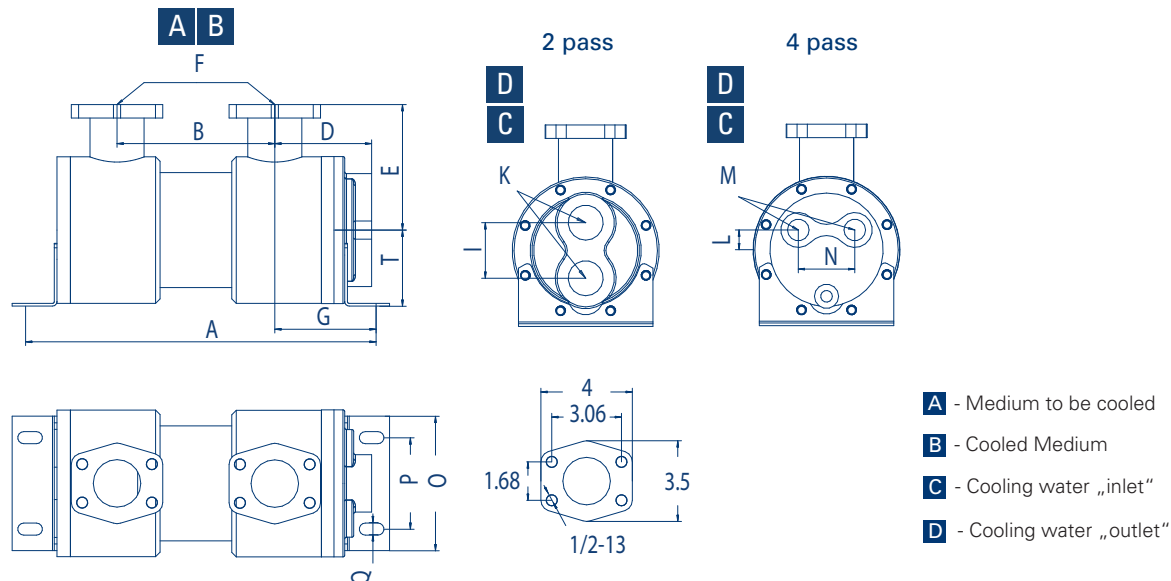
All dimensions in inch



## Unit dimensions UKM-1000-Series

Type	A	B	D	E	F	G	I	K	L	M	N	O	P	Q	T
UKM-1012-T	18.27	10.28	4.13	4.33	G1 1/2"	4.17	2.44	G1 1/4"	-	-	-	5.91	4.02	ø0.51x1.06	3.35
UKM-1014-T	20.28	12.28	4.13	4.33	G1 1/2"	4.17	2.44	G1 1/4"	-	-	-	5.91	4.02	ø0.51x1.06	3.35
UKM-1018-T	24.29	16.30	4.13	4.33	G1 1/2"	4.17	2.44	G1 1/4"	-	-	-	5.91	4.02	ø0.51x1.06	3.35
UKM-1024-T	30.28	22.28	4.13	4.33	G1 1/2"	4.17	2.44	G1 1/4"	-	-	-	5.91	4.02	ø0.51x1.06	3.35
UKM-1036-T	42.28	34.29	4.13	4.33	G1 1/2"	4.17	2.44	G1 1/4"	-	-	-	5.91	4.02	ø0.51x1.06	3.35
UKM-1048-T	54.29	46.30	4.13	4.33	G1 1/2"	4.17	2.44	G1 1/4"	-	-	-	5.91	4.02	ø0.51x1.06	3.35
UKM-1060-T	66.30	58.31	4.13	4.33	G1 1/2"	4.17	2.44	G1 1/4"	-	-	-	5.91	4.02	ø0.51x1.06	3.35
Type	A	B	D	E	F	G	I	K	L	M	N	O	P	Q	T
UKM-1012-F	18.27	10.28	4.13	4.33	G1 1/2"	4.17	-	-	0.87	G3/4"	2.48	5.91	4.02	ø0.51x1.06	3.35
UKM-1014-F	20.28	12.28	4.13	4.33	G1 1/2"	4.17	-	-	0.87	G3/4"	2.48	5.91	4.02	ø0.51x1.06	3.35
UKM-1018-F	24.29	16.30	4.13	4.33	G1 1/2"	4.17	-	-	0.87	G3/4"	2.48	5.91	4.02	ø0.51x1.06	3.35
UKM-1024-F	30.28	22.28	4.13	4.33	G1 1/2"	4.17	-	-	0.87	G3/4"	2.48	5.91	4.02	ø0.51x1.06	3.35
UKM-1036-F	42.28	34.29	4.13	4.33	G1 1/2"	4.17	-	-	0.87	G3/4"	2.48	5.91	4.02	ø0.51x1.06	3.35
UKM-1048-F	54.29	46.30	4.13	4.33	G1 1/2"	4.17	-	-	0.87	G3/4"	2.48	5.91	4.02	ø0.51x1.06	3.35
UKM-1060-F	66.30	58.31	4.13	4.33	G1 1/2"	4.17	-	-	0.87	G3/4"	2.48	5.91	4.02	ø0.51x1.06	3.35

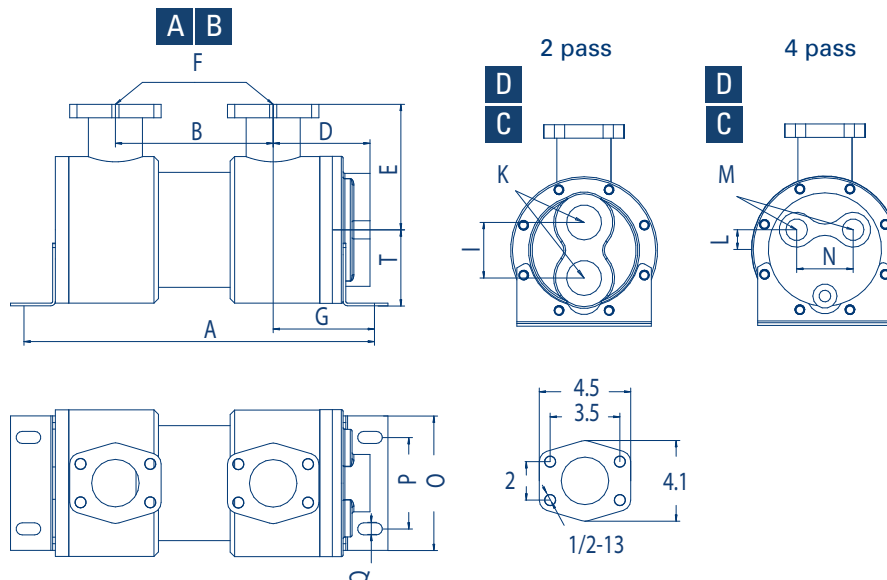
All dimensions in inch



## Unit dimensions UKM-1200-Series

Type	A	B	D	E	F	G	I	K	L	M	N	O	P	Q	T
UKM-1218-T	24.29	15.35	5.20	5.71	SAE 2 1/2"	4.61	3.43	G2"	-	-	-	7.48	5.59	ø0.51x1.06	4.72
UKM-1224-T	30.28	21.34	5.20	5.71	SAE 2 1/2"	4.61	3.43	G2"	-	-	-	7.48	5.59	ø0.51x1.06	4.72
UKM-1230-T	36.30	27.36	5.20	5.71	SAE 2 1/2"	4.61	3.43	G2"	-	-	-	7.48	5.59	ø0.51x1.06	4.72
UKM-1236-T	42.28	33.35	5.20	5.71	SAE 2 1/2"	4.61	3.43	G2"	-	-	-	7.48	5.59	ø0.51x1.06	4.72
UKM-1242-T	48.31	39.37	5.20	5.71	SAE 2 1/2"	4.61	3.43	G2"	-	-	-	7.48	5.59	ø0.51x1.06	4.72
UKM-1248-T	54.09	45.35	5.20	5.71	SAE 2 1/2"	4.61	3.43	G2"	-	-	-	7.48	5.59	ø0.51x1.06	4.72
UKM-1254-T	60.28	51.34	5.20	5.71	SAE 2 1/2"	4.61	3.43	G2"	-	-	-	7.48	5.59	ø0.51x1.06	4.72
UKM-1260-T	66.30	57.36	5.20	5.71	SAE 2 1/2"	4.61	3.43	G2"	-	-	-	7.48	5.59	ø0.51x1.06	4.72
UKM-1266-T	72.32	63.35	5.20	5.71	SAE 2 1/2"	4.61	3.43	G2"	-	-	-	7.48	5.59	ø0.51x1.06	4.72
UKM-1272-T	78.27	69.37	5.20	5.71	SAE 2 1/2"	4.61	3.43	G2"	-	-	-	7.48	5.59	ø0.51x1.06	4.72
UKM-1278-T	84.33	75.39	5.20	5.71	SAE 2 1/2"	4.61	3.43	G2"	-	-	-	7.48	5.59	ø0.51x1.06	4.72
UKM-1284-T	90.31	81.38	5.20	5.71	SAE 2 1/2"	4.61	3.43	G2"	-	-	-	7.48	5.59	ø0.51x1.06	4.72
Type	A	B	D	E	F	G	I	K	L	M	N	O	P	Q	T
UKM-1218-F	24.29	15.35	5.16	5.71	SAE 2 1/2"	4.61	-	-	0.98	G1"	2.76	7.48	5.59	ø0.51x1.06	4.72
UKM-1224-F	30.28	21.34	5.16	5.71	SAE 2 1/2"	4.61	-	-	0.98	G1"	2.76	7.48	5.59	ø0.51x1.06	4.72
UKM-1230-F	36.30	27.36	5.16	5.71	SAE 2 1/2"	4.61	-	-	0.98	G1"	2.76	7.48	5.59	ø0.51x1.06	4.72
UKM-1236-F	42.28	33.35	5.16	5.71	SAE 2 1/2"	4.61	-	-	0.98	G1"	2.76	7.48	5.59	ø0.51x1.06	4.72
UKM-1242-F	48.31	39.37	5.16	5.71	SAE 2 1/2"	4.61	-	-	0.98	G1"	2.76	7.48	5.59	ø0.51x1.06	4.72
UKM-1248-F	54.09	45.35	5.16	5.71	SAE 2 1/2"	4.61	-	-	0.98	G1"	2.76	7.48	5.59	ø0.51x1.06	4.72
UKM-1254-F	60.28	51.34	5.16	5.71	SAE 2 1/2"	4.61	-	-	0.98	G1"	2.76	7.48	5.59	ø0.51x1.06	4.72
UKM-1260-F	66.30	57.36	5.16	5.71	SAE 2 1/2"	4.61	-	-	0.98	G1"	2.76	7.48	5.59	ø0.51x1.06	4.72
UKM-1266-F	72.32	63.35	5.16	5.71	SAE 2 1/2"	4.61	-	-	0.98	G1"	2.76	7.48	5.59	ø0.51x1.06	4.72
UKM-1272-F	78.27	69.37	5.16	5.71	SAE 2 1/2"	4.61	-	-	0.98	G1"	2.76	7.48	5.59	ø0.51x1.06	4.72
UKM-1278-F	84.33	75.39	5.16	5.71	SAE 2 1/2"	4.61	-	-	0.98	G1"	2.76	7.48	5.59	ø0.51x1.06	4.72
UKM-1284-F	90.31	81.38	5.16	5.71	SAE 2 1/2"	4.61	-	-	0.98	G1"	2.76	7.48	5.59	ø0.51x1.06	4.72

All dimensions in inch



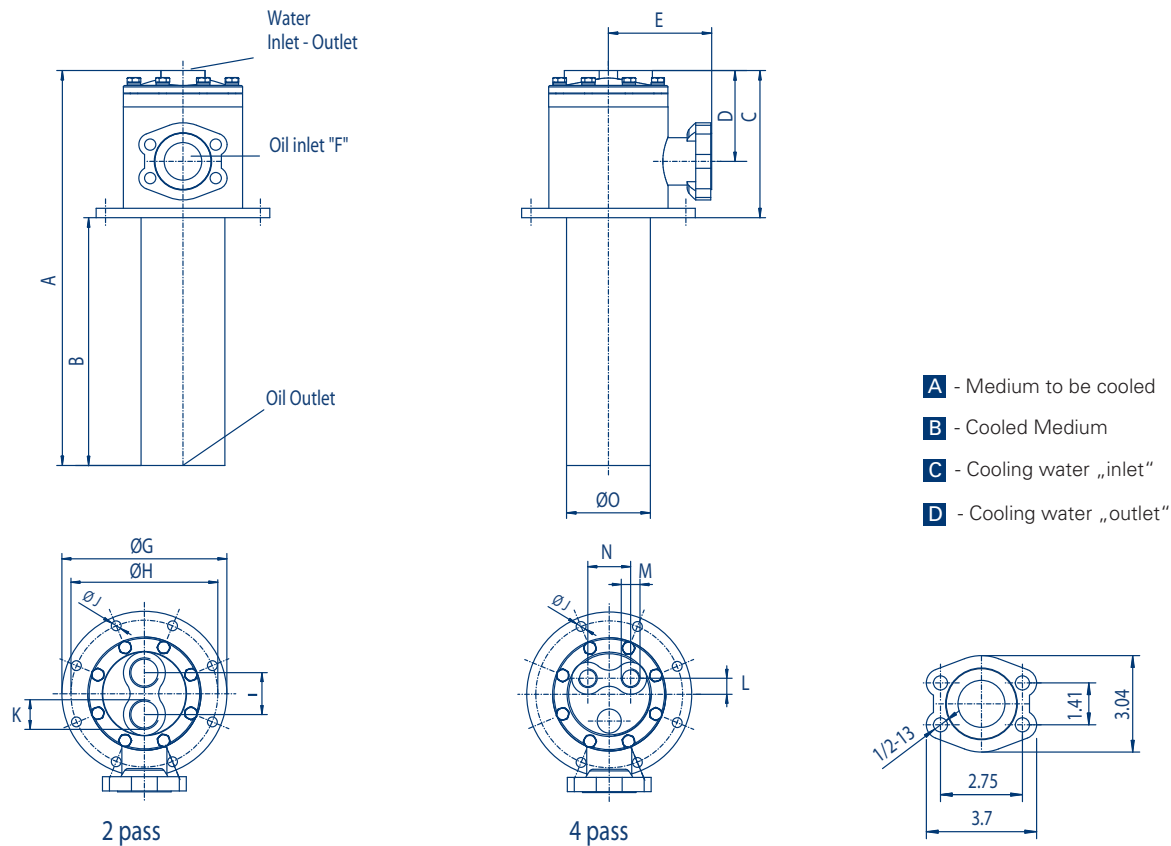
- A** - Medium to be cooled
- B** - Cooled Medium
- C** - Cooling water „inlet“
- D** - Cooling water „outlet“

## Unit dimensions UKTM-500/700-Series

Type	A	B	C	D	E	F	G	H	I	J	K	O
UKTM-505-T	8.27	3.35	4.92	2.87	1.87	G1"	5.91	5.12	1.38	ø0.43	G1/2"	2.55
UKTM-508-T	11.26	5.51	5.75	3.66	1.87	G1"	5.91	5.12	1.38	ø0.43	G1/2"	2.55
UKTM-512-T	15.24	9.49	5.75	3.66	1.87	G1"	5.91	5.12	1.38	ø0.43	G1/2"	2.55
UKTM-514-T	17.24	11.50	5.75	3.66	1.87	G1"	5.91	5.12	1.38	ø0.43	G1/2"	2.55
UKTM-518-T	21.26	15.51	5.75	3.66	1.87	G1"	5.91	5.12	1.38	ø0.43	G1/2"	2.55
UKTM-524-T	27.24	21.50	5.75	3.66	1.87	G1"	5.91	5.12	1.38	ø0.43	G1/2"	2.55
UKTM-536-T	39.25	33.50	5.75	3.66	1.87	G1"	5.91	5.12	1.38	ø0.43	G1/2"	2.55

Type	A	B	C	D	E	F	G	H	I	J	K	L	M	N	O
UKTM-708-T	11.73	5.55	6.18	3.82	4.33	SAE 1 1/2"	7.28	6.50	1.85	ø0.43	G1"	-	-	-	3.51
UKTM-712-T	15.71	9.53	6.18	3.82	4.33	SAE 1 1/2"	7.28	6.50	1.85	ø0.43	G1"	-	-	-	3.51
UKTM-714-T	17.72	11.54	6.18	3.82	4.33	SAE 1 1/2"	7.28	6.50	1.85	ø0.43	G1"	-	-	-	3.51
UKTM-718-T	21.73	15.55	6.18	3.82	4.33	SAE 1 1/2"	7.28	6.50	1.85	ø0.43	G1"	-	-	-	3.51
UKTM-724-T	27.72	21.54	6.18	3.82	4.33	SAE 1 1/2"	7.28	6.50	1.85	ø0.43	G1"	-	-	-	3.51
Type	A	B	C	D	E	F	G	H	I	J	K	L	M	N	O
UKTM-712-F	11.73	5.55	6.18	3.82	4.33	SAE 1 1/2"	7.28	6.50	-	ø0.43	-	0.71	G1/2"	1.89	3.51
UKTM-714-F	15.71	9.53	6.18	3.82	4.33	SAE 1 1/2"	7.28	6.50	-	ø0.43	-	0.71	G1/2"	1.89	3.51
UKTM-718-F	17.72	11.54	6.18	3.82	4.33	SAE 1 1/2"	7.28	6.50	-	ø0.43	-	0.71	G1/2"	1.89	3.51
UKTM-724-F	21.73	15.55	6.18	3.82	4.33	SAE 1 1/2"	7.28	6.50	-	ø0.43	-	0.71	G1/2"	1.89	3.51
UKTM-736-F	27.72	21.54	6.18	3.82	4.33	SAE 1 1/2"	7.28	6.50	-	ø0.43	-	0.71	G1/2"	1.89	3.51

All dimensions in inch

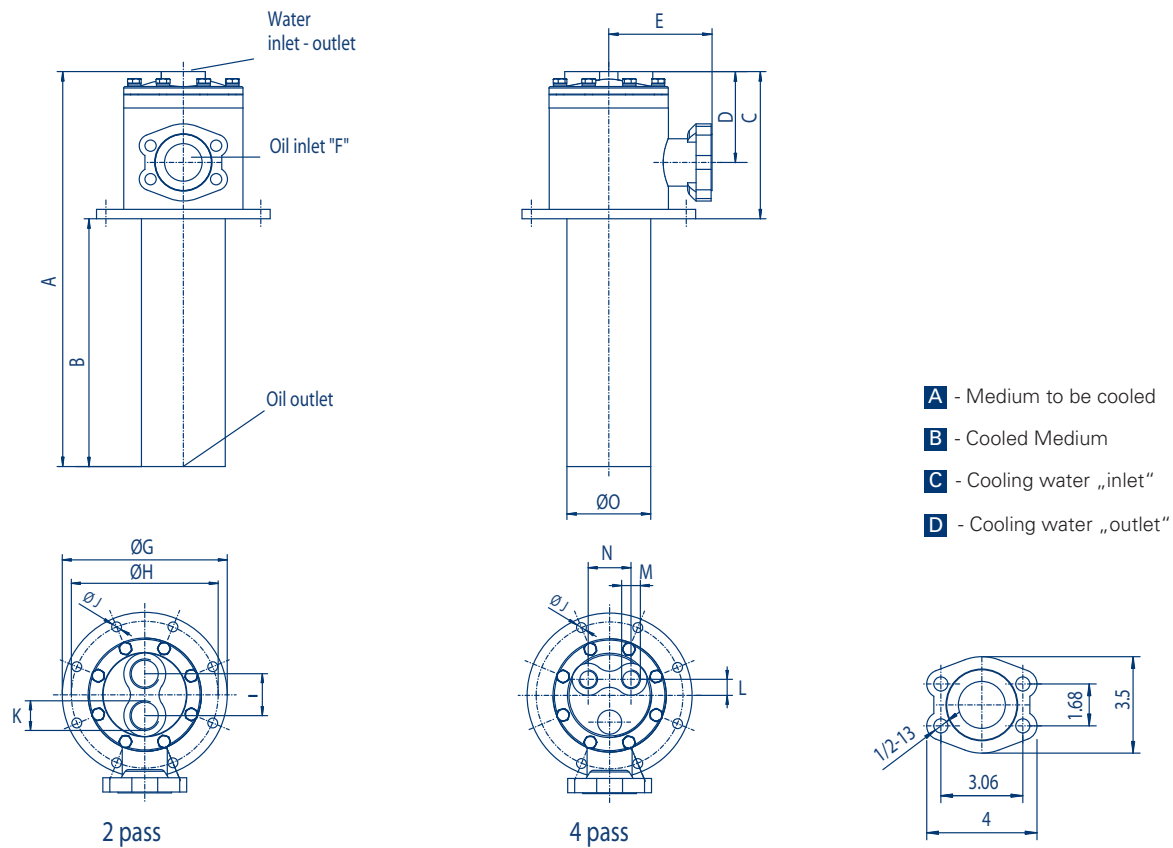




## Unit dimensions UKTM-1000-Series

Type	A	B	C	D	E	F	G	H	I	J	K	L	M	N	O
UKTM-1012-T	16.77	9.45	7.32	4.37	4.92	SAE 2"	9.06	8.07	2.44	ø0.43	G 1 1/4"	-	-	-	5.05
UKTM-1014-T	18.78	11.46	7.32	4.37	4.92	SAE 2"	9.06	8.07	2.44	ø0.43	G 1 1/4"	-	-	-	5.05
UKTM-1018-T	22.80	15.47	7.32	4.37	4.92	SAE 2"	9.06	8.07	2.44	ø0.43	G 1 1/4"	-	-	-	5.05
UKTM-1024-T	28.78	21.46	7.32	4.37	4.92	SAE 2"	9.06	8.07	2.44	ø0.43	G 1 1/4"	-	-	-	5.05
UKTM-1036-T	40.79	33.46	7.32	4.37	4.92	SAE 2"	9.06	8.07	2.44	ø0.43	G 1 1/4"	-	-	-	5.05
UKTM-1048-T	52.80	45.47	7.32	4.37	4.92	SAE 2"	9.06	8.07	2.44	ø0.43	G 1 1/4"	-	-	-	5.05
Type	A	B	C	D	E	F	G	H	I	J	K	L	M	N	O
UKTM-1012-F	16.77	9.45	7.32	4.37	4.92	SAE 2"	9.06	8.07	-	ø0.43	-	0.89	G3/4"	2.48	5.05
UKTM-1014-F	18.78	11.46	7.32	4.37	4.92	SAE 2"	9.06	8.07	-	ø0.43	-	0.89	G3/4"	2.48	5.05
UKTM-1018-F	22.80	15.47	7.32	4.37	4.92	SAE 2"	9.06	8.07	-	ø0.43	-	0.89	G3/4"	2.48	5.05
UKTM-1024-F	28.78	21.46	7.32	4.37	4.92	SAE 2"	9.06	8.07	-	ø0.43	-	0.89	G3/4"	2.48	5.05
UKTM-1036-F	40.79	33.46	7.32	4.37	4.92	SAE 2"	9.06	8.07	-	ø0.43	-	0.89	G3/4"	2.48	5.05
UKTM-1048-F	52.80	45.47	7.32	4.37	4.92	SAE 2"	9.06	8.07	-	ø0.43	-	0.89	G3/4"	2.48	5.05

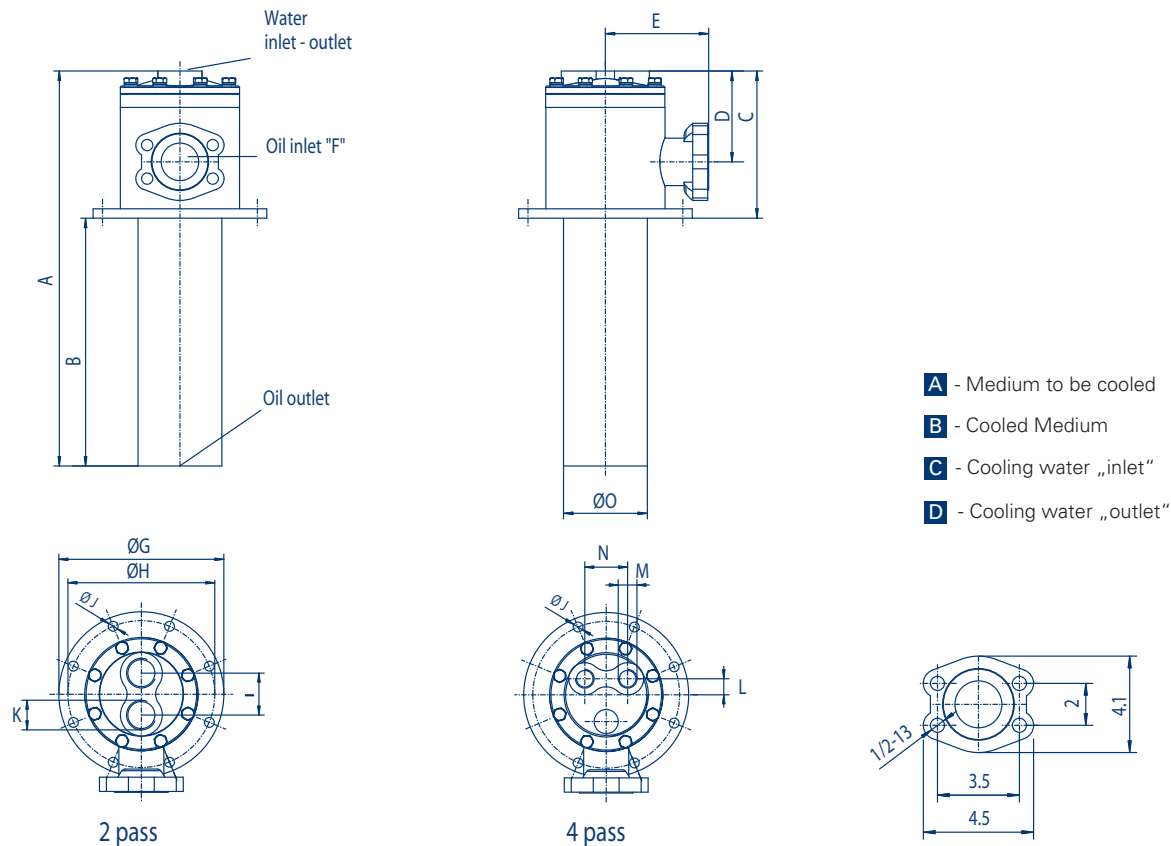
All dimensions in inch



## Unit dimensions UKTM-1200-Series

Type	A	B	C	D	E	F	G	H	I	J	K	L	M	N	O
UKTM-1218-T	23.43	15.47	7.95	5.00	5.71	SAE 2 1/2"	10.83	9.45	3.43	ø0.43	G2"	-	-	-	6.30
UKTM-1224-T	29.29	21.34	7.95	5.00	5.71	SAE 2 1/2"	10.83	9.45	3.43	ø0.43	G2"	-	-	-	6.30
UKTM-1230-T	35.43	27.48	7.95	5.00	5.71	SAE 2 1/2"	10.83	9.45	3.43	ø0.43	G2"	-	-	-	6.30
UKTM-1236-T	41.34	33.39	7.95	5.00	5.71	SAE 2 1/2"	10.83	9.45	3.43	ø0.43	G2"	-	-	-	6.30
UKTM-1242-T	47.44	39.49	7.95	5.00	5.71	SAE 2 1/2"	10.83	9.45	3.43	ø0.43	G2"	-	-	-	6.30
UKTM-1248-T	53.43	45.47	7.95	5.00	5.71	SAE 2 1/2"	10.83	9.45	3.43	ø0.43	G2"	-	-	-	6.30
UKTM-1254-T	59.41	51.46	7.95	5.00	5.71	SAE 2 1/2"	10.83	9.45	3.43	ø0.43	G2"	-	-	-	6.30
UKTM-1260-T	65.43	57.48	7.95	5.00	5.71	SAE 2 1/2"	10.83	9.45	3.43	ø0.43	G2"	-	-	-	6.30
UKTM-1266-T	71.42	63.46	7.95	5.00	5.71	SAE 2 1/2"	10.83	9.45	3.43	ø0.43	G2"	-	-	-	6.30
UKTM-1272-T	77.44	69.49	7.95	5.00	5.71	SAE 2 1/2"	10.83	9.45	3.43	ø0.43	G2"	-	-	-	6.30
UKTM-1278-T	83.46	75.51	7.95	5.00	5.71	SAE 2 1/2"	10.83	9.45	3.43	ø0.43	G2"	-	-	-	6.30
UKTM-1284-T	89.37	81.42	7.95	5.00	5.71	SAE 2 1/2"	10.83	9.45	3.43	ø0.43	G2"	-	-	-	6.30
Type	A	B	C	D	E	F	G	H	I	J	K	L	M	N	O
UKTM-1218-F	23.43	15.47	7.95	5.00	5.71	SAE 2 1/2"	10.83	9.45	-	ø0.43	-	0.98	G1"	2.76	6.30
UKTM-1224-F	29.29	21.34	7.95	5.00	5.71	SAE 2 1/2"	10.83	9.45	-	ø0.43	-	0.98	G1"	2.76	6.30
UKTM-1230-F	35.43	27.48	7.95	5.00	5.71	SAE 2 1/2"	10.83	9.45	-	ø0.43	-	0.98	G1"	2.76	6.30
UKTM-1236-F	41.34	33.39	7.95	5.00	5.71	SAE 2 1/2"	10.83	9.45	-	ø0.43	-	0.98	G1"	2.76	6.30
UKTM-1242-F	47.44	39.49	7.95	5.00	5.71	SAE 2 1/2"	10.83	9.45	-	ø0.43	-	0.98	G1"	2.76	6.30
UKTM-1248-F	53.43	45.47	7.95	5.00	5.71	SAE 2 1/2"	10.83	9.45	-	ø0.43	-	0.98	G1"	2.76	6.30
UKTM-1254-F	59.41	51.46	7.95	5.00	5.71	SAE 2 1/2"	10.83	9.45	-	ø0.43	-	0.98	G1"	2.76	6.30
UKTM-1260-F	65.43	57.48	7.95	5.00	5.71	SAE 2 1/2"	10.83	9.45	-	ø0.43	-	0.98	G1"	2.76	6.30
UKTM-1266-F	71.42	63.46	7.95	5.00	5.71	SAE 2 1/2"	10.83	9.45	-	ø0.43	-	0.98	G1"	2.76	6.30
UKTM-1272-F	77.44	69.49	7.95	5.00	5.71	SAE 2 1/2"	10.83	9.45	-	ø0.43	-	0.98	G1"	2.76	6.30
UKTM-1278-F	83.46	75.51	7.95	5.00	5.71	SAE 2 1/2"	10.83	9.45	-	ø0.43	-	0.98	G1"	2.76	6.30
UKTM-1284-F	89.37	81.42	7.95	5.00	5.71	SAE 2 1/2"	10.83	9.45	-	ø0.43	-	0.98	G1"	2.76	6.30

All dimensions in inch



advanced quality  
customized designs  
made in europe and usa

## Technical data

**Caution:** Incorrect installation can lead to damage to the cooler.  
For the seawater version, zinc anodes should be provided on the waterside.  
Exact information for the pressure resistance can be found in the respective component drawings.

### Maximum operating Pressure

Shell = up to 500 psi

Tubes = up to 230 psi

**Operating temperature** = 41 - 203 °F

### Maximum flow rate in gpm:

Type	Oil Shell	Water Tubes CuNi 90/10 (CN)/Stainless steel (SS)		
		O	T	F
EKM - 500	19.8	15.9	7.93	-
EKM - 700	59.4	31.7	15.9	7.9
EKM - 1000	87.2	74	3.7	18
EKM - 1200	172	148	74	37
EKM - 1400	225	137	68.7	34
EKM - 1700	317	25.9	129	65

Type	Oil Shell	Water Tubes Copper (CU)			Water Tubes CuNi 90/10 (CN)/ Stainless steel (SS)			Sea water Tubes CuNi 90/10 (CN)		
		O	T	F	O	T	F	O	T	F
SCM - 1000	87.2	59.4	29.1	15	89.8	44.9	22	75.3	37	18
SCM - 1200	172	132	66	33	198	99.1	49	159	79.3	40
SCM - 1700	317	225	112	56	343	172	86	277	140	70
SCM - 2400	476	423	211	106	634	317	159	528	264	132
SCM - 4000	793	634	317	159	925	462	231	740	370	185

Type	Oil Shell	Water Tubes Copper (CU)			Water Tubes CuNi 90/10 (CN)/ Stainless steel (SS)		Sea water Tubes CuNi 90/10 (CN)	
		O	T	F	T	F	T	F
UKTM/UKM - 500	19.8	4.49	-	-	6.9	-	5.81	-
UKTM/UKM - 700	59.4	8.98	4.32	-	14	6.34	11.4	5.5
UKTM/UKM - 1000	106	21.7	10.6	-	32	15.3	26.9	13
UKTM/UKM - 1200	172	48.1	24	-	60	35.9	60	30

The technical data of this sheet is depending on the described operational conditions and individual cases.  
At different operational conditions and differing individual cases contact UniversalHydraulik.  
Technical modifications reserved. Please also pay attention to our operation manuals and maintenance documentations.  
In case of an order, binding dimensions can be found in the associated component drawing.

advanced quality  
 customized designs  
 made in europe and usa

**Ordering code**

**SS - EKM - 1036 - 6 - O - CN - R - W - SW (S:G112 - T:G114)**

**Complete cooler  
 Stainless steel**

incl. Aluminium Fins

**Series abbreviation**  
 EKM-Series  
 SCM-Series  
 UKM-Series  
 UKTM-Series

R = removable cartridge

**Unit size**

**Guide segment distance**

**Cooling water connection system**

O= 1-pass  
 T= 2-pass  
 F= 4-pass

**Tube material**

CN= Copper nickel  
 CU= Copper  
 SS= Stainless steel

**Bypass version**

R/R2 = partly opened (depends on the mounting)  
 RS/RS2 = fully opened (depends on the mounting)

**Material of the tube sheet**

W = Brass  
 SS = Stainless steel  
 Without data = Steel

**Material of end caps**

SW = Cast iron (nickel coating treatment)  
 SWBZ = Sea water resistant gun metal end caps + zinc anode  
 SS = Stainless steel  
 Without data = Cast iron or steel

**Connection shell side**

see following page

**Connection tube side**

see following page

**EKM-Serie:** Heat exchanger with straight water tubes inside. Available in sizes 500-1700.

**SCM-Serie:** Heat exchanger with straight water tubes and increased tube diameters inside. Available in sizes 1000-4000.

**UKM-Serie:** Heat exchanger with U-formed water tubes inside. Available in sizes 500-1200.

**UKTM-Serie:** Heat exchanger with U-formed water tubes inside for mounting in tanks. Available in sizes 500-1200.

advanced quality  
customized designs  
made in europe and usa

**UNIVERSAL  
HYDRAULIK**   
Your Partner for coolers and systems

## Connection designation

**EKM - 1036 - O - CN (S:G112 - T:G114)**

Type code acc. UH-data sheet  
(see previous page)

Connection type  
and connection size,  
shell side

Connection type  
and connection size,  
tube side

## Connection table

G BSPP thread:	N NPT thread:	# SAE-Port with UNF:	S SAE flange:
G1/8" = G18	1/8"NPT = N18	7/16-20 UNF = #4	3/4"-3000psi = S34
G1/4" = G14	1/4"NPT = N14	1/2-20 UNF = #5	1"-3000psi = S1
G3/8" = G38	3/8"NPT = N38	9/16-18 UNF = #6	1 1/4"-3000psi = S114
G1/2" = G12	1/2"NPT = N12	3/4-16 UNF = #8	1 1/2"-3000psi = S112
G3/4" = G34	3/4"NPT = N34	7/8-14 UNF = #10	2"-3000psi = S2
G1" = G1	1"NPT = N1	1-1/16-12 UN = #12	2 1/2"-3000psi = S212
G1 1/4" = G114	1 1/4"NPT = N114	1-3/16-12 UN = #14	3"-3000psi = S3
G1 1/2" = G112	1 1/2"NPT = N112	1-5/16-12 UN = #16	4"-3000psi = S4
G2" = G2	2"NPT = N2	1-5/8-12 UN = #20	5"-3000psi = S5
		1-7/8-12 UN = #24	
		2-1/2-12 UN = #32	
D DIN flange:	D DIN flange:	A ANSI flange:	A ANSI flange:
DN20/PN16 = D20/16	DN20/PN40 = D20/40	1/2"-150lbs = A12/15	1/2"-300lbs = A12/3
DN25/PN16 = D25/16	DN25/PN40 = D25/40	3/4"-150lbs = A34/15	3/4"-300lbs = A34/3
DN32/PN16 = D32/16	DN32/PN40 = D32/40	1"-150lbs = A1/15	1"-300lbs = A1/3
DN40/PN16 = D40/16	DN40/PN40 = D40/40	1 1/4"-150lbs = A114/15	1 1/4"-300lbs = A114/3
DN50/PN16 = D50/16	DN50/PN40 = D50/40	1 1/2"-150lbs = A112/15	1 1/2"-300lbs = A112/3
DN65/PN16 = D65/16	DN65/PN40 = D65/40	2"-150lbs = A2/15	2"-300lbs = A2/3
DN80/PN16 = D80/16	DN80/PN40 = D80/40	2 1/2"-150lbs = A212/15	2 1/2"-300lbs = A212/3
DN100/PN16 = D100/16	DN100/PN40 = D100/40	3"-150lbs = A3/15	3"-300lbs = A3/3
DN125/PN16 = D125/16	DN125/PN40 = D125/40	4"-150lbs = A4/15	4"-300lbs = A4/3
DN150/PN16 = D150/16	DN150/PN40 = D150/40	5"-150lbs = A5/15	5"-300lbs = A5/3
DN200/PN16 = D200/16	DN200/PN40 = D200/40		

## Sales

**Universal Hydraulik GmbH**  
Siemensstr. 33 · D-61267 Neu-Anspach  
Tel.: +49 (0) 60 81/94 18 - 0 · Fax +49 (0) 60 81/94 18 49  
E-Mail: info@universalhydraulik.com  
[www.universalhydraulik.com](http://www.universalhydraulik.com)

**Universal Hydraulik USA, Corp.**  
Fort Meigs Business Center · 25651 Fort Meigs Road, Suite A  
Perrysburg, OH 43551  
Phone: 419 873 63 40 · Fax: 419 873 63 42  
email: info@universalhydraulik.com  
[www.universalhydraulik-usa.com](http://www.universalhydraulik-usa.com)