

# MB 80

## HORIZONTAL CENTRIFUGAL PUMPS



Product designed and constructed in Italy

Constructed in Polypropylene or PVDF

Under head use

Weld-free

Can be used with fluids containing suspended solids

Extremely easy to operate and maintain

Suitable for continuous use

Available with:

- Mechanical bellows seal (new generation "Self-locking" system)

Aisi 304 spring - Seal ring in SILICON CARBIDE + CERAMIC / SILICON CARBIDE + SILICON CARBIDE

- Lip seal: VITON® or EPDM



## MB PUMPS CODES ENCODING

e.g. MB080--P-TLVN  
MB 80 PP, Viton® lip seal, three-phase motor.

MB80	P	TLV	N
PUMP MODEL	PUMP MATERIAL	SEAL TYPE	MOTOR
MB 080 - MB 80 MB 100 - MB 100 MB 110 - MB 110 MB 120 - MB 120 MB 130 - MB 130 MB 140 - MB 140 MB 150 - MB 150 MB 155 - MB 155 MB 160 - MB 160 MB 180 - MB 180	P - Polypropylene FC - PVDF+CF	TLV - Viton® lip seal TLD - EPDM lip seal TSV - Viton® bellows seal TSD - EPDM bellows seal	N* - Three-phase motor M - Single-phase motor A - ATEX S - Without Motor

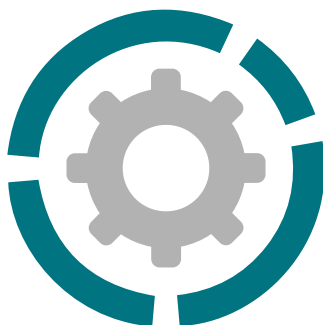
\* Three-phase asynchronous eurotension motor fitted as standard [2 poles] 50Hz

# MB 80

## HORIZONTAL CENTRIFUGAL PUMPS



### Specifications and types



Suction fittings	1" 1/2 f BSPP or DN 40
Delivery fittings	1" m BSPP or DN 25
Max flow rate	6 m <sup>3</sup> /h
Max head	7,5 m
Viscosity up to	500 cps
Standard open impeller	Ø 85 mm H 9 mm *
Passing solids	Ø max 5 mm

\* Special versions are available on request for the fluid pumped

PP



#### Pump body construction materials, operating temperatures and net weight

Polypropylene (with glass filler)	1,7 Kg*
	Temp. -20°C min. +100°C max

PVDF (with carbon filler)	2,2 Kg*
	Temp. -20°C min. +100°C max

\* Weights refer only to the pump without the motor

#### Standard electric motor:

Kw	0,37
HP	0,5
Casing	B3 + B14
RPM	2900 / 3600

THREE-PHASE 230/400 V

50/60 Hz

2 poles

Efficiency class IE2

Protection IP55

Ambient Temp. -30°C + 45°C

Aluminium/Cast iron

SINGLE-PHASE on request

ATEX on request

PVDF



#### MAIN APPLICATION SECTORS



AUTOMOTIVE



CHEMICAL INDUSTRY



WATER AND SLUDGE  
TREATMENT



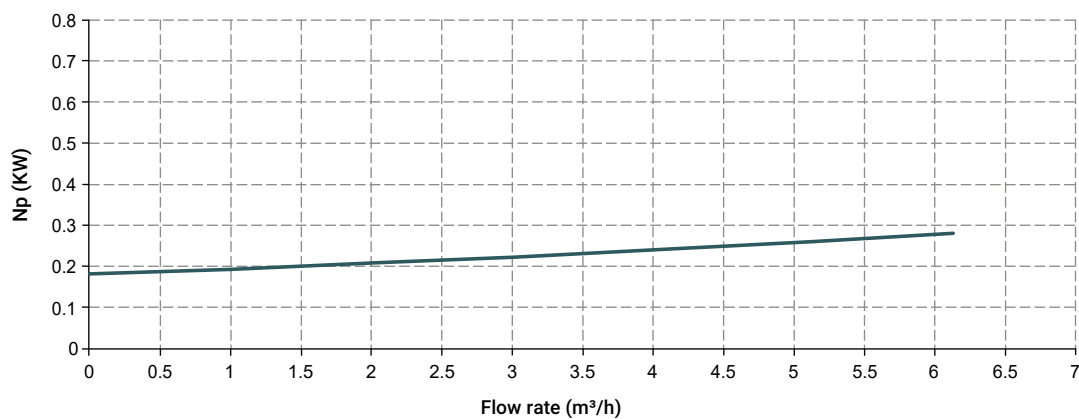
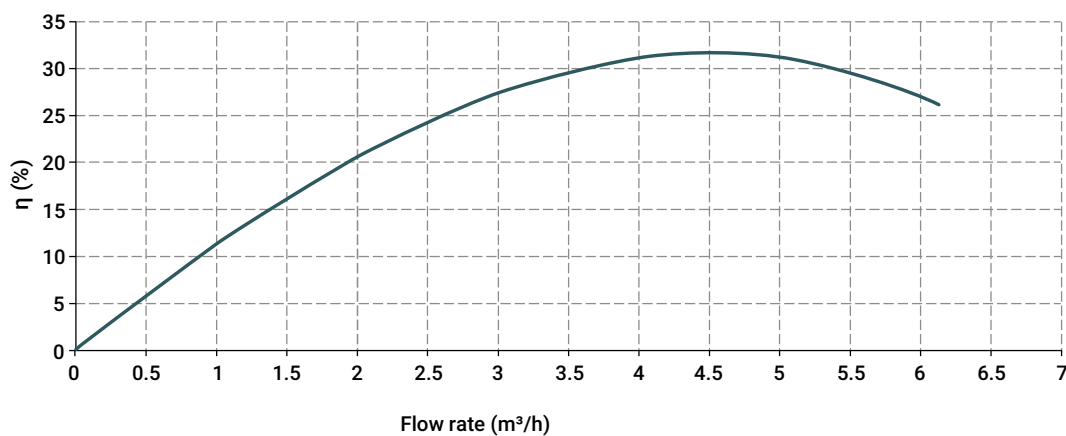
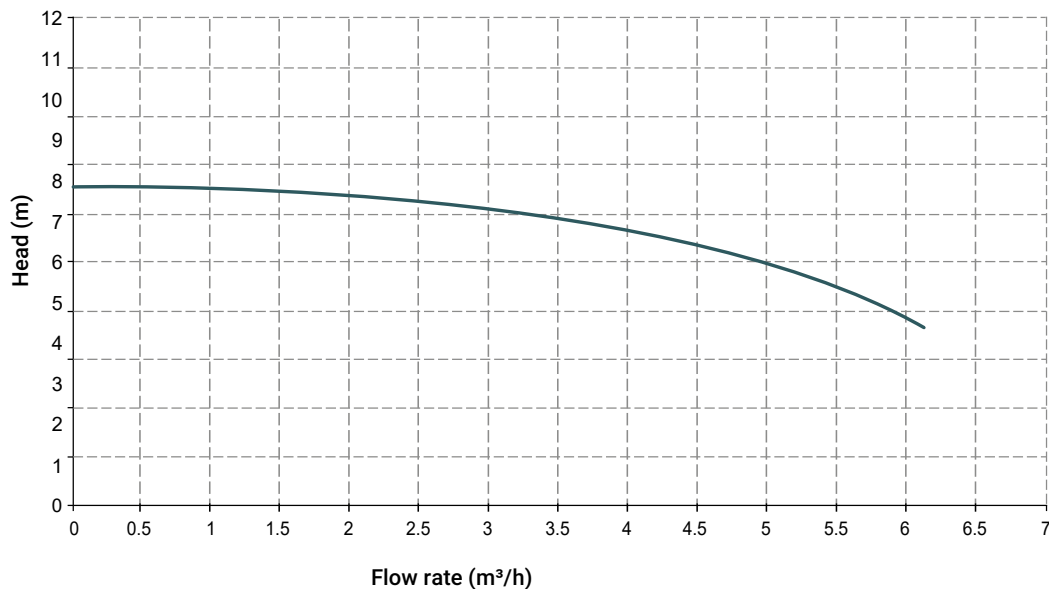
GALVANIC AND ELECTRONIC  
INDUSTRY

# MB 80

HORIZONTAL CENTRIFUGAL PUMPS



## Specifications and types



The curves and performances refer to tested pumps, with water at 20 °C, two-pole motor 50 Hz (2900rpm).

# MB 80

## HORIZONTAL CENTRIFUGAL PUMPS

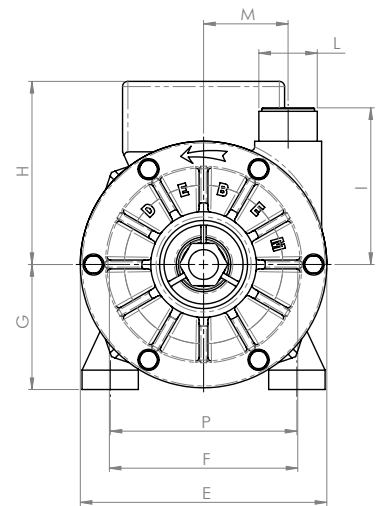
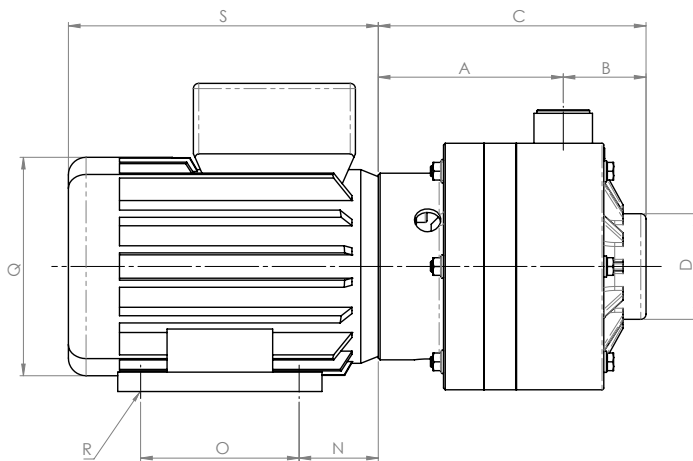


### Specifications and types

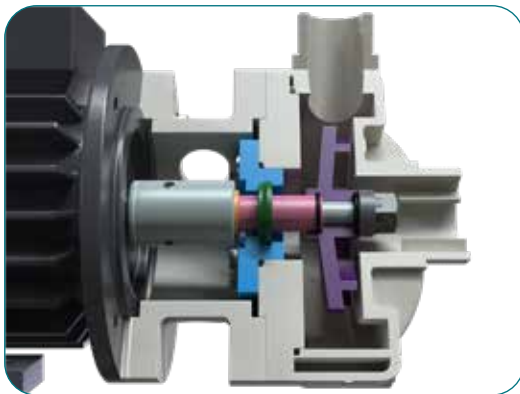
Length measurements in mm

MODEL	SEAL	POWER	Ø PASSING SOLIDS	A	B	C	D	E	F	G	H	I	L	M	N	O	P	Q	R	S*
MB80	TL - TS	0,37 KW - 0,5 HP	5	105	47	152	1"1/2 f(**) or DN 40	-	140	71	114	89	1"m (**) or DN 25	48	45	90	112	135	7	225

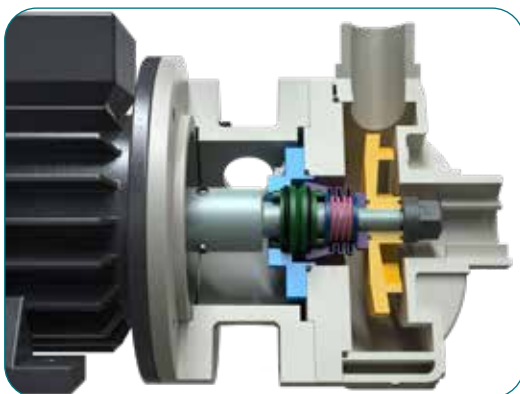
\* Measurements may vary depending on the motor supplier.



TL = lip seal



TS = bellows seal



UNDER HEAD USE

#### Sealing O-ring materials

- EPDM
- VITON®

#### Packaging:

- **Wooden case size cm 50 x 25 x 35 - Weight 7 Kg**  
(the weight refers only to the packaging without the pump inside)

#### Accessories:

- **FLANGE KIT (DIN standard - ANSI on request)**
- **Basket filter in Polypropylene or PVDF**