
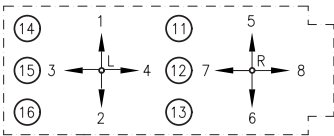


Portable control station T-011

IP 65

Compact, robust and easy to handle.

| Picture | Description | Size (L x W x H) | Type |
|--|---|--|------------------|
|  <p>T-011 with VCS0-Joysticks</p> | Rectangular, plastic with: <ul style="list-style-type: none"> - Colouring yellow - Seal between upper and lower part - Brackets - Shoulder strap - 4 rubber feet - Swivelling cable entry M32x1,5, clamping range \varnothing 13,5 ... 20 mm - Without bores - Without attachments and installations | 390 (490) x 162 (200) x 223 mm | T-011 |
| Installation positions:  <p>Pos. 1...4 Joystick 5...8 Joystick 11...16 Control devices</p> | | Project planning notes: For dimensions, see technical information TI-T-011. Please note the installation dimensions of the inserts. | |
| Options: | | | |
| Standard layout with bores: Pos. 1...4 and Pos. 5...8 for VCS0 9611-Joystick Pos. 13 \varnothing 16,2 mm, Pos. 11...12 and 14...16 \varnothing 22,5 mm | | | |
| Customised layout with: Bores in console cover for maximum 2x joystick, 6x \varnothing 22.5 mm | | | |
| Special cut-outs, holes | | | |
| Joysticks M0N, VCS0, CS1, ST0, ST4, HS0 | | | |
| Control devices 22,5 mm | | | see B-1/2, B-2/2 |
| Wiring on connection cable with plug | | | |
| Customised cable gland | | | |

Technische Informationen:

Material: PA66

material: PA66

Schutzart / Degree of protection max.IP65*

*Abhängig von Einbauten / Dependent on inserts

Einbaumöglichkeiten:

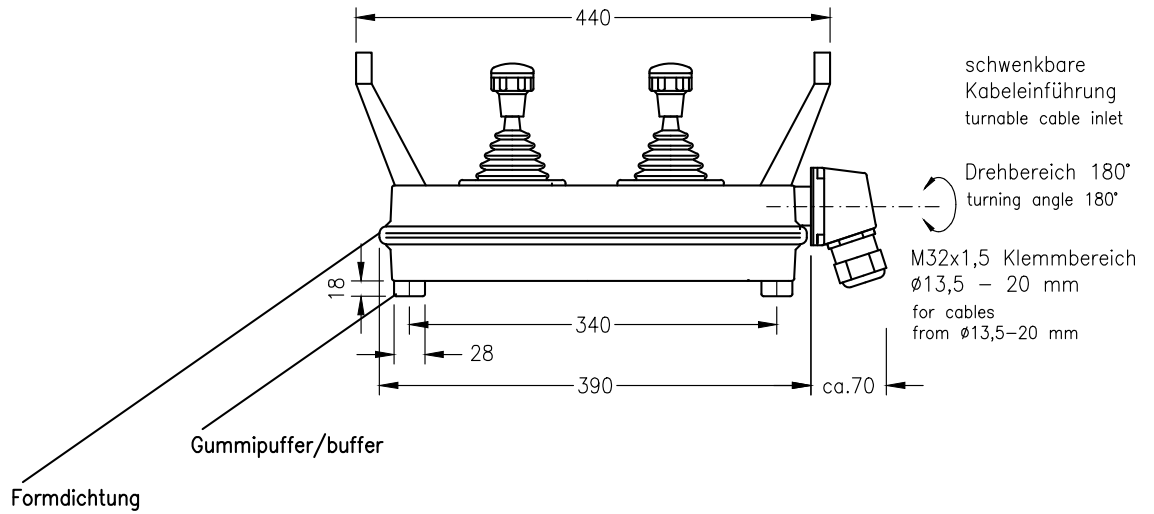
Joysticks

Befehlsgeräte

Installations:

Joysticks

Control devices



Einbauplätze:

