

# MBC<sup>®</sup> BLIND FASTENING SYSTEM

NAS1719, NAS1720, NAS1721



**CHERRY<sup>®</sup>**  
**AEROSPACE**  
*SPS Fastener Division, a PCC Company*



|  |             |
|--|-------------|
| <b>MBC® Features &amp; Benefits</b> .....                                      | <b>1-2</b>  |
| <b>MBC® Rivet Selection</b>  |             |
| Product Numbering & NAS Conversion .....                                       | 3           |
| Installed Weight, Grip Advantages & Part Conversion .....                      | 4-5         |
| <b>MBC® Rivet Standards Pages</b>  |             |
| MBC® Locked Stem Rivet NAS1719: 100° Reduced Flush Head Nominal Diameter ..... | 6           |
| MBC® Locked Stem Rivet NAS1720: Nominal Diameter Protruding Head .....         | 7           |
| MBC® Locked Stem Rivet NAS1721: Nominal Diameter 100° Flush Head.....          | 8           |
| <b>MBC® Installation Tooling</b> .....   | <b>9-11</b> |

## LIMITED WARRANTY

Seller warrants the goods conform to applicable specifications and drawings and will be manufactured and inspected according to generally accepted practices of companies manufacturing industrial or aerospace fasteners. In the event of any breach of the foregoing warranty, Buyer's sole remedy shall be to return defective goods (after receiving authorization from Seller) for replacement or refund of the purchase price, at the Seller's option. Seller agrees to any freight costs in connection with the return of any defective goods, but any costs relating to removal of the defective or nonconforming goods or installation of replacement goods shall be Buyer's responsibility. SELLER'S WARRANTY DOES NOT APPLY WHEN ANY PHYSICAL OR CHEMICAL CHANGE IN THE FORM OF THE PRODUCT IS MADE BY BUYER. THE FOREGOING EXPRESS WARRANTY AND REMEDY ARE EXCLUSIVE AND ARE IN LIEU OF ALL OTHER WARRANTIES AND REMEDIES; ANY IMPLIED WARRANTY AS TO QUALITY, FITNESS FOR PURPOSE, OR MERCHANTABILITY IS HEREBY SPECIFICALLY DISCLAIMED AND EXCLUDED BY SELLER. This warranty is void if seller is not notified in writing of any rejection of the goods within one (1) Year after initial use by buyer of any power Riveter or ninety (90) days after initial use of any other product. Seller shall not be liable under any circumstances for incidental, special or consequential damages arising in whole or in part from any breach by Seller, AND SUCH INCIDENTAL, SPECIAL, OR CONSEQUENTIAL DAMAGES ARE HEREBY EXPRESSLY EXCLUDED.

Our policy is one of continuous development. Specifications shown in this document may be subject to changes introduced after publication.

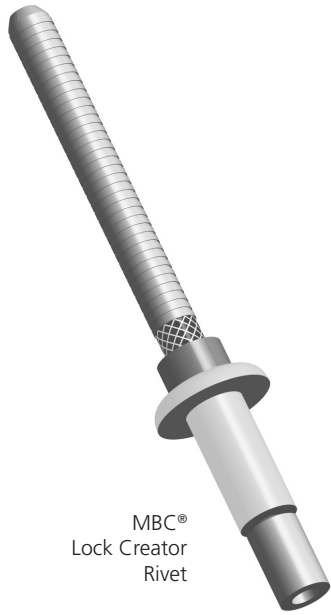
CHERRY® and MBC® are trademarks of Cherry Aerospace.

**NOTE:** The properties, strengths, dimensions, installed characteristics and all other information in this catalog is for guidance only to aid in the correct selection of the products described herein and is not intended or implied as part of the warranty. All applications should be evaluated for functional suitability and available samples of the described parts can be requested for installed tests, suitability and evaluations.

**ATTENTION:** Blind rivets are not always a suitable substitute for solid rivets. Maintenance personnel are reminded that AC 43.13-1A chapter 2, section 3, stipulates: "Do not substitute hollow rivets for solid rivets in load carrying members without specific approval of the application by a representative of the Federal Aviation Administration. Blind rivets may be used in blind locations in accordance with the conditions listed in Chapter 5, provided the edge distances and spacings are not less than the minimum listed in paragraph 99d."

# MBC® BLIND FASTENING SYSTEM

## FEATURES & BENEFITS



MBC®  
Lock Creator  
Rivet

The industry approved Cherry MBC® system is one of the industry's simplest and most versatile riveting systems available today. This lightweight high strength riveting system features a flush break and mechanically locked stem which contributes substantially to the integrity and performance of the fastener.

The MBC® is available in aluminum and stainless steel versions. Both the aluminum and stainless steel series MBC® are available in 1/8" (3.2mm), 5/32" (4.0mm) and 3/16" (4.8mm) diameters, with flush, reduced flush or protruding head styles.

The standard MBC® rivet is a simple, two-piece assembly comprised of a MBC® rivet sleeve and a stem with an integral locking feature. For proper installation, the correct installation tool nose tip is required for each diameter of rivet. See page 9 for a selection of installation tooling.

The MBC® Lock Creator (MBC®-L/C) is the same fastener as the standard MBC® rivet with the addition of a lock creator anvil. This additional component simplifies installation of the fastener by allowing a single nose tip for installing the three available diameters.

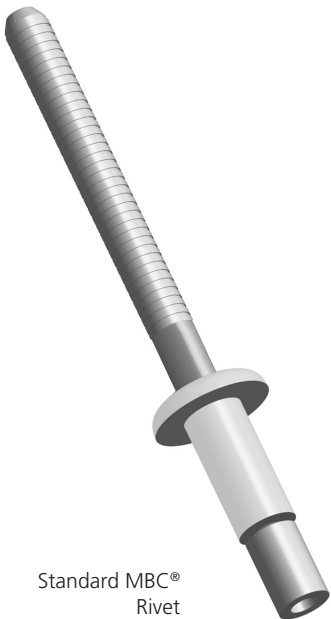
Whether standard MBC® or MBC®-L/C rivets are used, each rivet comes complete as a single-piece assembly, ready for installation.

### FEATURES

- Manufactured to International Aerospace quality standards
- High strength to weight ratio
- Good hole fill capability
- Excellent sheet take-up
- Mechanically locked stem
- Flush break stem
- Wide grip range
- Low installed weight
- Quiet installation tooling

### BENEFITS

- Contributes to high quality, durable end product
- Reduces weight of aircraft structures, which aids fuel savings
- Produces high strength joint and secure assembly
- Improves joint quality and reduces manufacturing costs
- Eliminates possibility of loose stems and contributes to design security and joint integrity
- Avoids stem shaving and lowers in-place costs
- Reduces inventory costs and operator errors
- Component weight saving without impairing structural integrity
- Greatly reduces production noise levels when replacing conventional bucked rivets

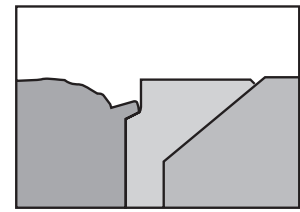
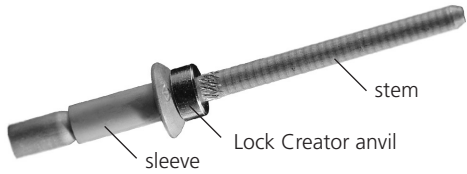


Standard MBC®  
Rivet

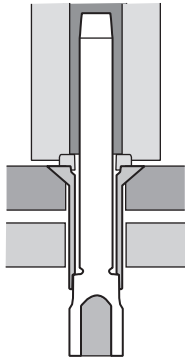
# MBC® BLIND FASTENING SYSTEM

## INSTALLATION SEQUENCE & PERFORMANCE DATA

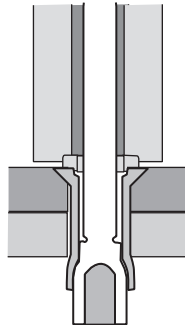
Typical installation sequence of MBC® rivets is shown here with the Lock Creator, a three-component design providing a unique lock feature.



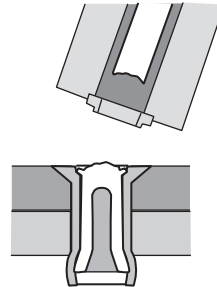
Detail of MBC® locking element



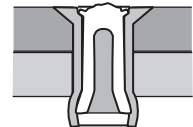
**1.** MBC® L/C is placed in the nose tip of the tool and inserted into the prepared hole in the workpiece. One common nose tip will place all MBC® L/C diameters without tooling changes.



**2.** The tool is activated and the jaws engage the rivet stem, exerting an axial pull.



**3.** The single-acting installation tool continues to draw the stem into the rivet sleeve, to give a high clinch joint and complete hole fill. The Lock Creator anvil automatically forms the locking ring into the preformed rivet sleeve head recess.



**4.** The stem breaks flush with the rivet head and is mechanically locked into the rivet sleeve, providing a secure, two-piece fastener system.

## PERFORMANCE DATA

Values shown here are fastener capabilities only. Design values will be limited by bearing strength of the sheet material used.

| Rivet Diameter | Minimum Ultimate Shear Strength in Steel Coupons |                                  | Minimum Ultimate Tension Strength in Steel Coupons |          |                      |          |
|----------------|--|----------------------------------|--|----------|----------------------|----------|
|                | Aluminum   | CRES                             | Aluminum   |          | CRES                 |          |
|                | NAS1719H<br>NAS1720H<br>NAS1721H                 | NAS1719C<br>NAS1720C<br>NAS1721C | NAS1720H<br>NAS1721H                               | NAS1719H | NAS1720C<br>NAS1721C | NAS1719C |
| 1/8" (-4)      | 450  | 1000                             | 280  | 238      | 640                  | 544      |
| 5/32" (-5)     | 700  | 1500                             | 475  | 425      | 1100                 | 935      |
| 3/16" (-6)     | 950  | 2200                             | 700  | 595      | 1500                 | 1275     |

| Rivet Material |               | Ultimate Shear Strength |
|----------------|---------------|-------------------------|
| Sleeve         | Stem          |                         |
| 2014A Aluminum | 7075 Aluminum | 34,000 psi              |
| A286 CRES      | A286 CRES     | 78,000 psi              |

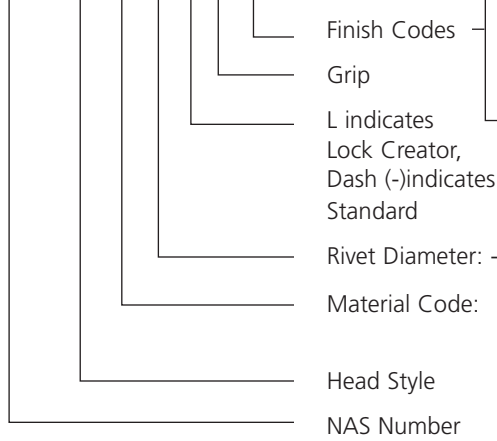
# MBC® RIVET SELECTION

## PRODUCT NUMBERING & NAS PART CONVERSION

### NUMBERING SYSTEM

NAS Part Number Example:

NAS17 21 H 4 L 5 A



Finish Codes —  
 A = Clear Anodize per SAE AMS-A-8625  
 F = Chemical Film per SAE AMS-C-5541  
 P = Passivation per AMS 2700  
 W = Cadmium Plate AMS QQ-P-416  
 N = Natural Finish

L indicates  
 Lock Creator,  
 Dash (-) indicates  
 Standard

Rivet Diameter: -4 (.125), -5 (.156) -6 (.188)

Material Code: C = CRES Stainless Steel  
 H = 2014A Aluminum

Head Style

NAS Number

### NAS PART NUMBER & FINISH CODE CONVERSION

| NAS Part Number | Part Number     |              |              |              |              |
|-----------------|-----------------|--------------|--------------|--------------|--------------|
|                 | NAS Finish Code |              |              |              |              |
|                 | A               | F            | P            | W            | N            |
| NAS1719H(-)     | 4867-0( )( )    | 4806-0( )( ) | —            | —            | —            |
| NAS1719H(L)     | 4967-0( )( )    | 4906-0( )( ) | —            | —            | —            |
| NAS1720H(-)     | 4801-0( )( )    | 4804-0( )( ) | —            | —            | 4811-0( )( ) |
| NAS1720H(L)     | 4901-0( )( )    | 4904-0( )( ) | —            | —            | 4911-0( )( ) |
| NAS1721H(-)     | 4807-0( )( )    | 4805-0( )( ) | —            | —            | 4817-0( )( ) |
| NAS1721H(L)     | 4907-0( )( )    | 4905-0( )( ) | —            | —            | 4917-0( )( ) |
| NAS1719C(-)     | —               | —            | 4861-0( )( ) | 4865-0( )( ) | —            |
| NAS1719C(L)     | —               | —            | 4961-0( )( ) | 4965-0( )( ) | —            |
| NAS1720C(-)     | —               | —            | 4831-0( )( ) | 4851-0( )( ) | —            |
| NAS1720C(L)     | —               | —            | 4931-0( )( ) | 4951-0( )( ) | —            |
| NAS1721C(-)     | —               | —            | 4837-0( )( ) | 4857-0( )( ) | —            |
| NAS1721C(L)     | —               | —            | 4937-0( )( ) | 4957-0( )( ) | —            |

### NAS GRIP CONVERSION

| NAS | Cherry |
|-----|--------|
| 4-1 | -0405  |
| 4-2 | -0407  |
| 4-3 | -0409  |
| 4-4 | -0411  |
| 4-5 | -0413  |
| 4-6 | -0415  |
| —   | —      |
| —   | —      |

| NAS | Cherry |
|-----|--------|
| 5-1 | -0506  |
| 5-2 | -0508  |
| 5-3 | -0510  |
| 5-4 | -0512  |
| 5-5 | -0514  |
| 5-6 | -0516  |
| 5-7 | -0518  |
| 5-8 | -0520  |

| NAS | Cherry |
|-----|--------|
| 6-1 | -0607  |
| 6-2 | -0609  |
| 6-3 | -0611  |
| 6-4 | -0613  |
| 6-5 | -0615  |
| 6-6 | -0617  |
| 6-7 | -0619  |
| 6-8 | -0621  |

# MBC® RIVET SELECTION

INSTALLED WEIGHTS (Installed pounds per 1000 pieces)

## THE MBC® WEIGHT ADVANTAGE

| NAS Dia. No. | NAS Grip No. | Aluminum        |            |                    | A286CRES        |            |
|--------------|--------------|-----------------|------------|--------------------|-----------------|------------|
|              |              | Protruding Head | Flush Head | Reduced Flush Head | Protruding Head | Flush Head |
|              |              | NAS1720H        | NAS1721H   | NAS1719H           | NAS1720C        | NAS1721C   |
| -4           | -1           | 0.28            | —          | —                  | 1.04            | —          |
|              | -2           | 0.35            | 0.27       | 0.23               | 1.26            | 0.82       |
|              | -3           | 0.42            | 0.34       | 0.30               | 1.46            | 1.04       |
|              | -4           | 0.49            | 0.41       | 0.37               | 1.66            | 1.24       |
|              | -5           | 0.56            | 0.48       | 0.45               | 1.88            | 1.44       |
|              | -6           | 0.63            | 0.55       | 0.52               | 2.08            | —          |
| -5           | -1           | 0.59            | —          | —                  | —               | —          |
|              | -2           | 0.70            | 0.58       | 0.39               | 2.22            | 1.30       |
|              | -3           | 0.81            | 0.69       | 0.51               | 2.51            | 1.62       |
|              | -4           | 0.93            | 0.80       | 0.63               | 2.80            | 1.94       |
|              | -5           | 1.03            | 0.91       | 0.74               | 3.09            | 2.24       |
|              | -6           | 1.14            | 1.02       | 0.86               | 3.38            | 2.56       |
|              | -7           | 1.25            | 1.13       | 0.97               | —               | —          |
|              | -8           | 1.36            | 1.24       | 1.09               | —               | —          |
| -6           | -1           | 1.08            | —          | —                  | —               | —          |
|              | -2           | 1.22            | 0.93       | —                  | 3.48            | 2.40       |
|              | -3           | 1.37            | 1.08       | —                  | 3.97            | 2.87       |
|              | -4           | 1.52            | 1.23       | —                  | 4.48            | 3.35       |
|              | -5           | 1.67            | 1.38       | —                  | 4.96            | 3.81       |
|              | -6           | 1.82            | 1.53       | —                  | 5.47            | 4.28       |
|              | -7           | 1.97            | 1.68       | —                  | 5.95            | 4.74       |
|              | -8           | 2.12            | 1.83       | —                  | 6.43            | 5.22       |

## THE MBC® GRIP ADVANTAGE

| NAS Grip Number | MBC® & NAS1722 Grip Range |      | NAS1400 Grip Range |      |
|-----------------|---------------------------|------|--------------------|------|
|                 | Min.                      | Max. | Min.               | Max. |
| -1              | *                         | .078 | *                  | .062 |
| -2              | *                         | .141 | .063               | .125 |
| -3              | .109                      | .203 | .126               | .187 |
| -4              | .172                      | .266 | .188               | .250 |
| -5              | .234                      | .328 | .251               | .312 |
| -6              | .297                      | .391 | .313               | .375 |
| -7              | .359                      | .453 | .376               | .437 |
| -8              | .422                      | .516 | .438               | .500 |

\* Refer to the product standard pages for minimum grips.

## PART NUMBER CONVERSIONS

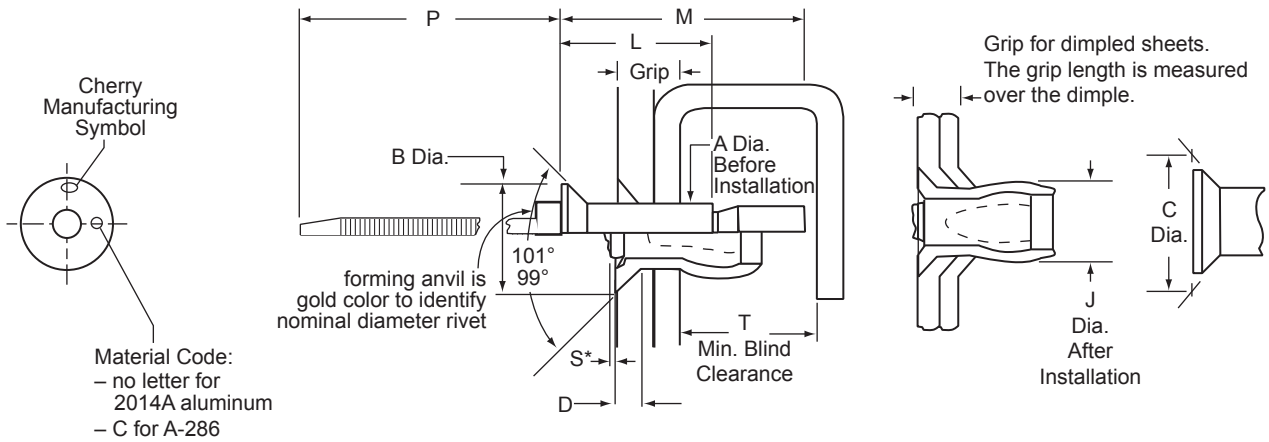
| Cherry Part No. | Industry Part No.  |
|-----------------|--|
| 4801-0( ) ( )   | AS64403-( ) ( )<br>NAS1720H( )-( )A<br>ASNA0080-( ) ( )A   |
| 4901-0( ) ( )   | AS64403L( ) ( )<br>NAS1720H( )L( )A<br>ASNA0080-( ) ( )ALC |
| 4807-0( ) ( )   | AS64400-( ) ( )<br>NAS1721H( )-( )A<br>ASNA0079-( ) ( )A   |
| 4907-0( ) ( )   | AS64400L( ) ( )<br>NAS1721H( )L( )A<br>ASNA0079-( ) ( )ALC |
| 4804-0( ) ( )   | NAS1720H( )-( )F   |
| 4904-0( ) ( )   | NAS1720H( )L( )F   |
| 4805-0( ) ( )   | NAS1721H( )-( )F   |
| 4905-0( ) ( )   | NAS1721H( )L( )F   |
| 4806-0( ) ( )   | NAS1719H( )-( )F   |
| 4906-0( ) ( )   | NAS1719H( )L( )F   |
| 4811-0( ) ( )   | NAS1720H( )-( )N<br>ASNA0080-( ) ( )B                      |

| Cherry Part No. | Industry Part No.  |
|-----------------|--|
| 4911-0( ) ( )   | NAS1720H( )L( )N<br>ASNA0080-( ) ( )BLC                      |
| 4817-0( ) ( )   | NAS1721H( )-( )N   |
| 4917-0( ) ( )   | ASNA0079-( ) ( )B<br>NAS1721H( )L( )N<br>ASNA0079-( ) ( )BLC |
| 4867-0( ) ( )   | NAS1719H( )-( )A   |
| 4967-0( ) ( )   | NAS1719H( )L( )A   |
| 4851-0( ) ( )   | AS64404-( ) ( )<br>NAS1720C( )-( )W<br>ASNA0080-( ) ( )C     |
| 4951-0( ) ( )   | AS64404L( ) ( )<br>NAS1720C( )L( )W<br>ASNA0080-( ) ( )CLC   |
| 4831-0( ) ( )   | AS64405-( ) ( )<br>NAS1720C( )-( )P<br>ASNA0080-( ) ( )D     |
| 4931-0( ) ( )   | AS64405L( ) ( )<br>NAS1720C( )L( )P<br>ASNA0080-( ) ( )DLC   |

| Cherry Part No. | Industry Part No.  |
|-----------------|--|
| 4857-0( ) ( )   | AS64401-( ) ( )<br>NAS1721C( )-( )W<br>ASNA0079-( ) ( )C   |
| 4957-0( ) ( )   | AS64401L( ) ( )<br>NAS1721C( )L( )W<br>ASNA0079-( ) ( )CLC |
| 4837-0( ) ( )   | AS64402-( ) ( )<br>NAS1721C( )-( )P<br>ASNA0079-( ) ( )D   |
| 4937-0( ) ( )   | AS64402L( ) ( )<br>NAS1721C( )L( )P<br>ASNA0079-( ) ( )D   |
| 4861-0( ) ( )   | NAS1719C( )-( )P   |
| 4961-0( ) ( )   | NAS1719C( )L( )P   |
| 4865-0( ) ( )   | NAS179C( )-( )W  |
| 4965-0( ) ( )   | NAS1719C( )L( )W   |

# MBC® LOCKED STEM RIVET NAS1719

100° REDUCED FLUSH HEAD NOMINAL DIAMETER NAS1097 HEAD STYLE



| Diameter (Dash No.) | A (Before Installation) | B Min | D Ref | S*            | J Ref | C Max | P Ref | Recommended Hole Size | Drill No |
|---------------------|-------------------------|-------|-------|---------------|-------|-------|-------|-----------------------|----------|
| 1/8" (-4)           | .129/.124               | .174  | .029  | +0.005 -0.015 | .150  | .196  | 1.15  | .129-.132             | #30      |
| 5/32" (-5)          | .160/.155               | .226  | .037  | +0.000 -0.020 | .190  | .247  | 1.25  | .160-.164             | #20      |
| 3/16" (-6)          | .192/.187               | .282  | .046  | +0.000 -0.030 | .230  | .303  | 1.25  | .192-.196             | #10      |

| Grip Limits |      | 1/8" Diameter |       |       |       | 5/32" Diameter |       |       |       | 3/16" Diameter |       |       |       |
|-------------|------|---------------|-------|-------|-------|----------------|-------|-------|-------|----------------|-------|-------|-------|
| Min         | Max  | Dash No.      | L Max | M Max | T Min | Dash No.       | L Max | M Max | T Min | Dash No.       | L Max | M Max | T Min |
| **          | .141 | -0407         | .263  | .39   | .19   | -0508          | .274  | .43   | .20   | -0609          | .308  | .47   | .22   |
| .109        | .203 | -0409         | .325  | .49   | .23   | -0510          | .336  | .55   | .28   | -0611          | .371  | .59   | .27   |
| .172        | .266 | -0411         | .388  | .62   | .29   | -0512          | .399  | .65   | .31   | -0613          | .433  | .70   | .33   |
| .234        | .328 | -0413         | .450  | .73   | .34   | -0514          | .461  | .74   | .36   | -0615          | .496  | .82   | .38   |
| .297        | .391 | —             | —     | —     | —     | -0516          | .524  | .87   | .41   | -0617          | .558  | .94   | .44   |
| .359        | .453 | —             | —     | —     | —     | -0518          | .586  | .98   | .46   | -0619          | .621  | 1.06  | .49   |
| .422        | .516 | —             | —     | —     | —     | -0520          | .649  | 1.13  | .54   | -0621          | .683  | 1.16  | .55   |

| Rivet Prefix         | Material  |   | Finish                       |                                   |
|----------------------|---|---|------------------------------|-----------------------------------|
|                      | Sleeve  | Stem  | Sleeve                       | Stem                              |
| 4961<br>NAS1719CxLxP | A286 CRES<br>AMS 5731, AMS 5732, AMS 5734,<br>or AMS 5737 | A286 CRES<br>AMS 5731                               | Passivate per AMS2700        | Passivate per AMS2700             |
| 4965<br>NAS1719CxLxW |   |   | Cad Plate per AMS QQ-P-416   |                                   |
| 4967<br>NAS1719HxLxA | 2014A<br>Aluminum Alloy<br>per BS EN 2100                 | 7075<br>Alum Alloy<br>per QQ-A-225/9<br>or QQ-A-430 | Anodize per SAE AMS-A-8625   | Yellow Anodize per SAE AMS-A-8625 |
| 4906<br>NAS1719HxLxF |   |   | Chem Film per SAE AMS-C-5541 | Yellow Anodize per SAE AMS-A-8625 |

**Notes:**

MBC® rivets are ready for use as supplied and must not be degreased or modified.

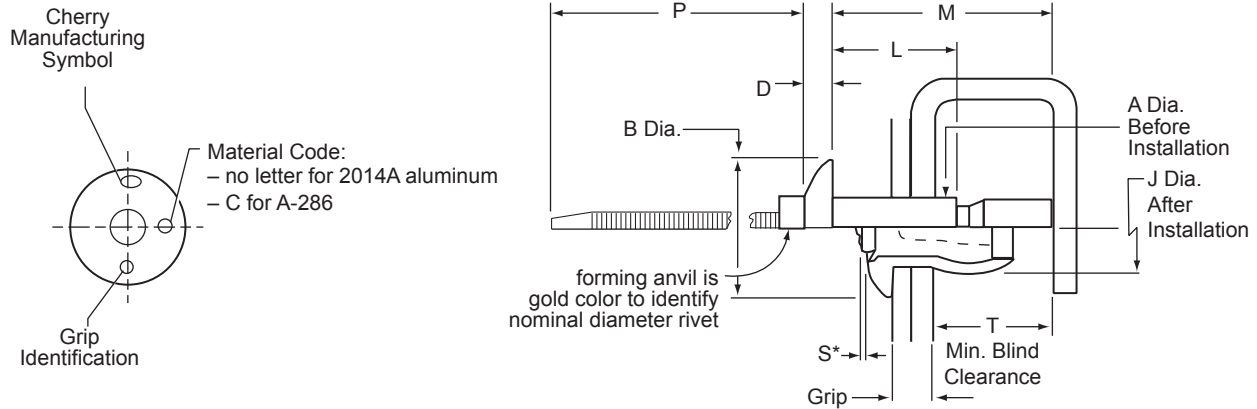
\* Plus (+) "S" Dimension indicates stem projection above top of rivet head. Minus (-) "S" Dimension indicates stem below top of rivet head.

\*\* Minimum grips: -4 = .050, -5 = .062, -6 = .077



# MBC® LOCKED STEM RIVET NAS1720

## NOMINAL DIAMETER PROTRUDING HEAD NASM20470 HEAD STYLE



| Diameter (Dash No.) | A (Before Installation) | B Max | D Max | S*            | J Ref | P Ref | Recommended Hole Size | Drill No. |
|---------------------|-------------------------|-------|-------|---------------|-------|-------|-----------------------|-----------|
| 1/8" (-4)           | .128/.125               | .255  | .059  | + .005 - .015 | .150  | 1.15  | .129-.132             | #30       |
| 5/32" (-5)          | .159/.156               | .317  | .072  | + .000 - .020 | .190  | 1.25  | .160-.164             | #20       |
| 3/16" (-6)          | .191/.188               | .380  | .085  | + .000 - .030 | .230  | 1.25  | .192-.196             | #10       |

| Grip Limits |      | 1/8" Diameter |       |       |       | 5/32" Diameter |       |       |       | 3/16" Diameter |       |       |       |
|-------------|------|---------------|-------|-------|-------|----------------|-------|-------|-------|----------------|-------|-------|-------|
| Min         | Max  | Dash No.      | L Max | M Max | T Min | Dash No.       | L Max | M Max | T Min | Dash No.       | L Max | M Max | T Min |
| .020        | .078 | -0405         | .186  | .35   | .19   | —              | —     | —     | —     | —              | —     | —     | —     |
| .047        | .141 | -0407         | .249  | .45   | .23   | -0508          | .280  | .51   | .260  | -0609          | .311  | .54   | .28   |
| .109        | .203 | -0409         | .311  | .58   | .29   | -0510          | .342  | .60   | .300  | -0611          | .374  | .66   | .33   |
| .172        | .266 | -0411         | .374  | .69   | .34   | -0512          | .405  | .71   | .350  | -0613          | .436  | .78   | .39   |
| .234        | .328 | -0413         | .436  | .80   | .39   | -0514          | .467  | .82   | .390  | -0615          | .499  | .90   | .44   |
| .297        | .391 | -0415         | .499  | .91   | .44   | -0516          | .530  | .95   | .460  | -0617          | .561  | 1.01  | .50   |
| .359        | .453 | —             | —     | —     | —     | —              | —     | —     | —     | -0619          | .623  | 1.12  | .55   |
| .422        | .516 | —             | —     | —     | —     | —              | —     | —     | —     | -0621          | .685  | 1.27  | .62   |

| Rivet Prefix          | Material   |   | Finish                       |                                      |
|-----------------------|--|---|------------------------------|--------------------------------------|
|                       | Sleeve   | Stem  | Sleeve                       | Stem                                 |
| 4931<br>NAS1720CxLxP  | A286 CRES<br>AMS 5731, AMS<br>5732, AMS 5734,<br>or AMS 5737 | A286 CRES<br>AMS 5731                               | Passivate per AMS 2700       | Passivate per AMS 2700               |
| 4951<br>NAS1720CxLxW  |  |   | Cad Plate per AMS QQ-P-416   |                                      |
| 4901<br>NAS1720HxLxA  | 2014A<br>Aluminum Alloy<br>per BS EN 2100                    | 7075<br>Alum Alloy<br>per QQ-A-225/9<br>or QQ-A-430 | Anodize per SAE AMS-A-8625   | Yellow Anodize per<br>SAE AMS-A-8625 |
| 4904<br>NAS17120HxLxF |  |   | Chem Film per SAE AMS-C-5541 | Yellow Anodize per<br>SAE AMS-A-8625 |
| 4911<br>NAS1720HxLxN  |  |   | Natural                      | Clear Anodized<br>per SAE AMS-A-8625 |

Notes:

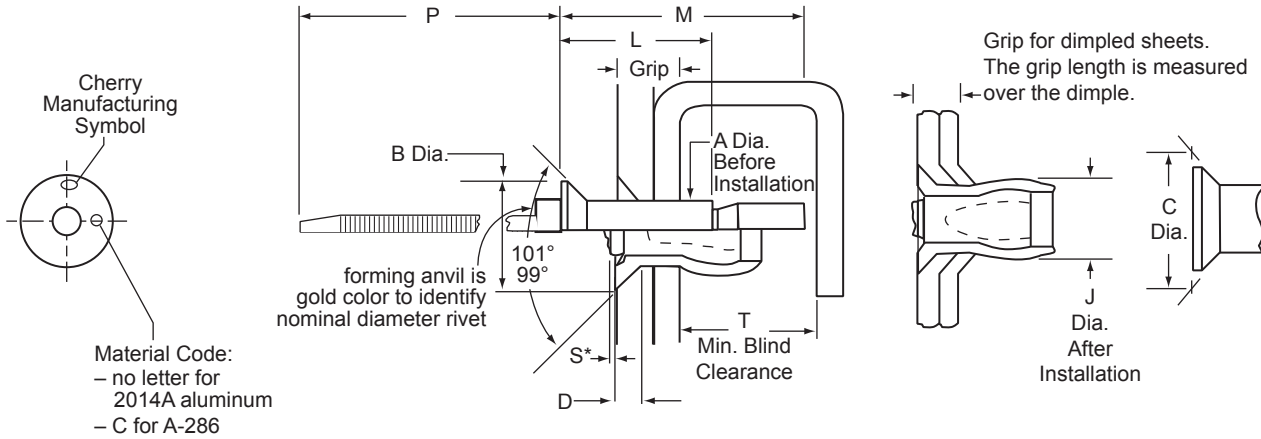
MBC® rivets are ready for use as supplied and must not be degreased or modified.

\* Plus (+) "S" Dimension indicates stem projection above top of rivet head. Minus (-) "S" Dimension indicates stem below top of rivet head.

\*\* Minimum grips: -4 = .062, -5 = .075, -6 = .090

# MBC® LOCKED STEM RIVET NAS1721

NOMINAL DIAMETER 100° FLUSH HEAD NASM20426 HEAD STYLE



| Diameter (Dash No.) | A (Before Installation) | B Min | D Ref | S *           | J Ref | C Max | P Ref | Recommended Hole Size | Drill No |
|---------------------|-------------------------|-------|-------|---------------|-------|-------|-------|-----------------------|----------|
| 1/8" (-4)           | .128/.125               | .208  | .041  | +0.005 -0.015 | .150  | .229  | 1.15  | .129-.132             | #30      |
| 5/32" (-5)          | .159/.156               | .267  | .053  | +0.000 -0.020 | .190  | .290  | 1.25  | .160-.164             | #20      |
| 3/16" (-6)          | .191/.188               | .329  | .068  | +0.000 -0.030 | .230  | .357  | 1.25  | .192-.196             | #10      |

| Grip Limits |      | 1/8" Diameter |       |       |       | 5/32" Diameter |       |       |       | 3/16" Diameter |       |       |       |
|-------------|------|---------------|-------|-------|-------|----------------|-------|-------|-------|----------------|-------|-------|-------|
| Min         | Max  | Dash No.      | L Max | M Max | T Min | Dash No.       | L Max | M Max | T Min | Dash No.       | L Max | M Max | T Min |
| **          | .141 | -0407         | .263  | .39   | .20   | -0508          | .274  | .43   | .20   | -0609          | .308  | .47   | .22   |
| .109        | .203 | -0409         | .325  | .49   | .24   | -0510          | .336  | .55   | .28   | -0611          | .371  | .59   | .28   |
| .172        | .266 | -0411         | .388  | .62   | .30   | -0512          | .399  | .65   | .31   | -0613          | .433  | .70   | .33   |
| .234        | .328 | -0413         | .450  | .73   | .35   | -0514          | .461  | .76   | .36   | -0615          | .496  | .82   | .39   |
| .297        | .391 | -0415         | .508  | .84   | .39   | -0516          | .524  | .87   | .41   | -0617          | .558  | .94   | .44   |
| .359        | .453 | —             | —     | —     | —     | —              | —     | —     | —     | -0619          | .621  | 1.06  | .50   |
| .422        | .516 | —             | —     | —     | —     | —              | —     | —     | —     | -0621          | .683  | 1.16  | .55   |

| Rivet Prefix          | Material  |   | Finish                       |                                       |
|-----------------------|---|---|------------------------------|---------------------------------------|
|                       | Sleeve  | Stem  | Sleeve                       | Stem                                  |
| 4937<br>NAS1721CxLxP  | A286 CRES<br>AMS 5731, AMS 5732, AMS 5734,<br>or AMS 5737 | A286 CRES<br>AMS 5731                               | Passivate per AMS2700        | Passivate<br>per AMS2700              |
| 4957<br>NAS1721CxLxW  |   |   | Cad Plate per AMS QQ-P-416   |                                       |
| 4907<br>NAS1721HxLxA  | 2014A<br>Aluminum Alloy<br>per BS EN 2100                 | 7075<br>Alum Alloy<br>per QQ-A-225/9<br>or QQ-A-430 | Anodize per SAE AMS-A-8625   | Yellow Anodize per<br>SAE AMS-A-8625  |
| 4905<br>NAS17121HxLxF |   |   | Chem Film per SAE AMS-C-5541 | Yellow Anodize per<br>SAE AMS-A-8625  |
| 4917<br>NAS1721HxLxN  |   |   | Natural                      | Yellow Anodized<br>per SAE AMS-A-8625 |

Notes:

MBC® rivets are ready for use as supplied and must not be degreased or modified.

\* Plus (+) "S" Dimension indicates stem projection above top of rivet head. Minus (-) "S" Dimension indicates stem below top of rivet head.

\*\* Minimum grips: -4 = .062, -5 = .075, -6 = .090

# MBC® BLIND FASTENING SYSTEM

## INSTALLATION TOOLS

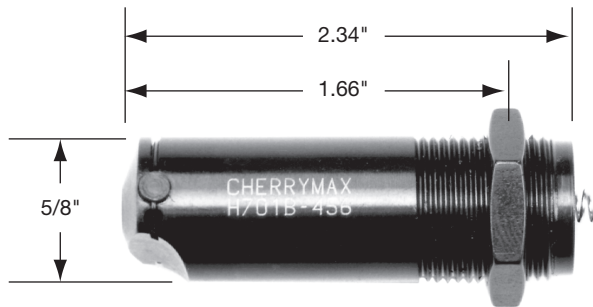
The riveter and pulling head combinations shown in the chart below will install the rivets identified in this catalog. Rivets with long grip dash numbers may require multiple strokes of the riveting tool.

### MBC LOCK CREATOR

| Riveter        | Pulling Head/Insert | 1/8" | 5/32" | 3/16"* |
|----------------|---------------------|------|-------|--------|
| G800           | included            |      |       |        |
| G704B or G746A | H747-456 or H782    |      |       |        |

### STANDARD MBC

| Riveter        | Pulling Head/Insert                     | 1/8" | 5/32" | 3/16"* |
|----------------|---|------|-------|--------|
| G800           | H800 with 782-4MBC nose piece           |      |       |        |
| G704B or G746A | H782 w/782-4MBC nose piece or H746-4MBC |      |       |        |
| G800           | H800 with 782-5MBC nose piece           |      |       |        |
| G704B or G746A | H782 w/782-5MBC nose piece or H746-5MBC |      |       |        |
| G800           | H800 with 782-6MBC nose piece           |      |       |        |
| G704B or G746A | H782 w/782-6MBC nose piece or H746-6MBC |      |       |        |



H701B-456 Pulling Head



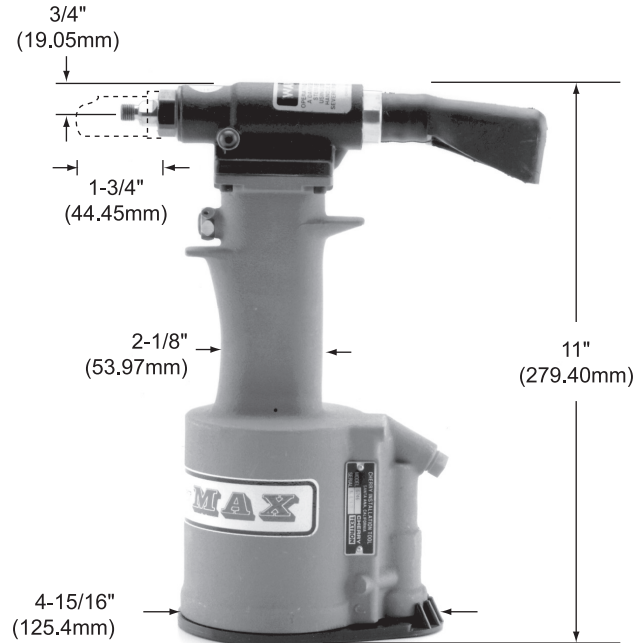
H782 Pulling Head

# MBC® BLIND FASTENING SYSTEM

## FEATURES & BENEFITS

### G746A POWER RIVETER

The G746A power riveter is a pneumatic-hydraulic tool designed specifically for the most efficient installation of MBC® rivets. Its durable, all metal housing makes this extremely robust tool ideal for use in rugged shop environments. It has many ergonomic features; very light weight, comfortable fit in the operator's hand and it can be operated in any position with one hand. Extensions are available for extending the pulling heads to reach limited access areas.



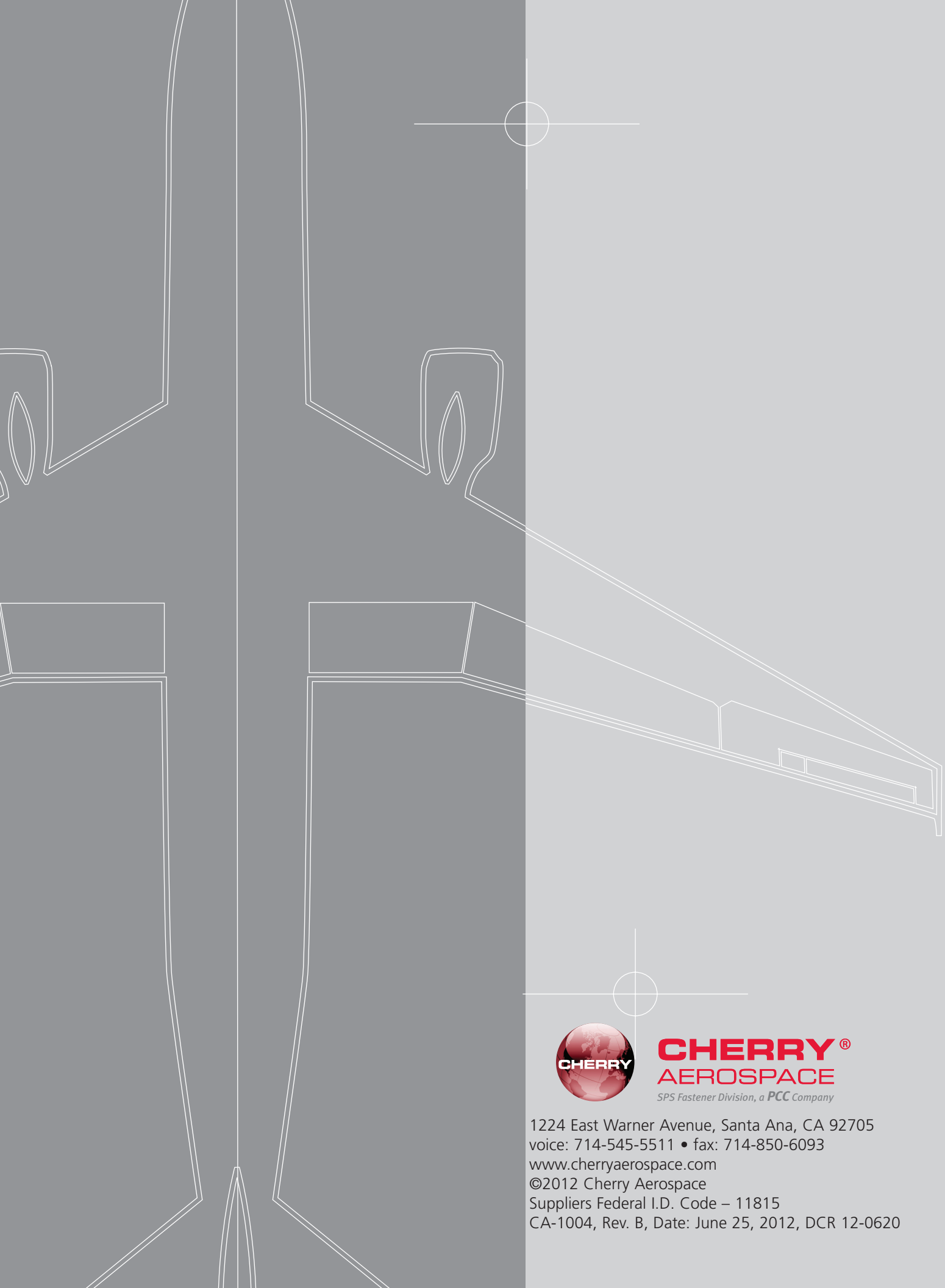
**G746A Power Riveter**

### G800 LIGHTWEIGHT HAND RIVETER

The G800 hydraulic riveting tool provides the versatility of pneumatic-hydraulic riveter with a lightweight, high pull strength ratio not found in other hand riveters. A proprietary, 2-stage hydraulic power cylinder eases pulling of the handle, eliminating the strain normally endured to install a high-strength fastener.

The G800 hand riveter can install a variety of blind fastener styles, diameters, head configurations, and material combinations. The G800 with the standard pulling head can install CherryMAX® and SST® blind rivets in -4, -5, -6, diameters, and -05, -06 diameter Maxibolt™ blind bolts by simply changing the pulling head. The straight pulling head is provided with the tool.





**CHERRY<sup>®</sup>**  
**AEROSPACE**

*SPS Fastener Division, a PCC Company*

1224 East Warner Avenue, Santa Ana, CA 92705

voice: 714-545-5511 • fax: 714-850-6093

[www.cherryaerospace.com](http://www.cherryaerospace.com)

©2012 Cherry Aerospace

Suppliers Federal I.D. Code – 11815

CA-1004, Rev. B, Date: June 25, 2012, DCR 12-0620