



PRESSURE REDUCING VALVES WITH DIAPHRAGM "TEUTON" PN 40  
WITH INCORPORATED FILTER AND STAINLESS STEEL SEAT  
CONNECTIONS: DISMANTLING FITTINGS MALE



#### HYDRAULIC FEATURES

The TEUTON model pressure reducing valve is an automatic valve that reduces and stabilizes the pressure of a fluid in a water distribution conduit to a preset value. The use of this device is necessary if the maximum possible pressure at any point in the water distribution system can reach or exceed the relative maximum allowable working pressure, or if apparatus and equipment that function exclusively at lower levels of pressure are connectable. The square cell filtering cartridge inside the reducing valve is designed to separate foreign particles in suspension such as sand, rust flakes, calcareous fragments, etc.; by means of a physical barrier. The dirt transported by water could cause corrosion in the water pipeline and wear down the pressure reducing valves or any other device installed downstream. The enhanced mechanical strength of the shell and its internal components renders this valve particularly suitable for the use in water supply systems outside buildings (EN 805) where the water pressure may reach values as high as 40 bar. Further, the compensated seat nullifies the influence that variations in upstream pressure may have on the downstream pressure. The diaphragm in 70Sh pre-shaped and folded EPDM rubber (peroxide cured) is reinforced with high mechanical strength textile in conjunction with the anti stick-slip Perox EPDM rubber O-ring, allows a precise and long-lasting pressure regulation. The bored internal cavities have been designed to create a minimum flow resistance, eliminating many negative phenomena, such as vibrations, load loss, or damage caused by cavitation even with a flow rate higher than 3.5 m/sec, and to obtain a noise level below 20 dB even with inlet pressures up to 40 bar.

The TEUTON pressure reducing valve with diaphragm and compensation chamber is used in air conditioning systems, sanitary installations for water supply, irrigation systems, compressed air (not oil mist) supply systems, water supply for human consumption within buildings, according to EN 806-2; and for fire extinguisher networks. (PS. It should nevertheless be borne in mind that local government standards for fire protection must always be observed.) This product adheres to the standards set forth by the European health authorities for the transport of alimentary fluids and potable water.

**ATTENTION: THE PRESSURE GAUGE INSTALLED ON THE PRESSURE REDUCING VALVE INDICATES THE ALREADY-REDUCED PRESSURE (Ps) OF THE OUTGOING LIQUID.**

#### TECHNICAL FEATURES

<b>Pressure:</b>	
Maximum allowable working pressure (PN)	40 bar
Outlet settings (Ps)	from 1 to 6.5 bar
Ps value set during testing	3 bar
Outlet Ps set tolerance on varying inlet pressure	± 5 %
<b>Temperature:</b>	
Maximum working temperature (TS)	0°C (excluding ice) 80°C
<b>Compatible fluids:</b>	
water	
glycolate solutions	glycol 50%
compressed air	
<b>Filtration Rating:</b>	
Referenced filtering capacity (S)	< 500 µm
<b>Threading:</b>	
Pipeline connection	Threads according to ISO 228/1
Gauge connection	Threads according to EN 10226- Rp1/4" (ex ISO 7/1)
<b>Tests according to</b>	
EN 1567	
Verification of the deviation from the pre-set pressure (Ps) according to	EN 1567 § 8.3.2
Verification of the set point range according to	EN 1567 § 8.3.1
Flow rate and outlet pressure according to	EN 1567 § 8.3.4
Acoustic group	I - Lmax (dBA) < 20

#### DESIGN

FORGED brass bodies EN 12420-CW617N CONF.DIN50930-6  
FORGED brass bonnets EN 12420-CW617N CONF.DIN50930-6  
FORGED brass head frame EN 12420-CW617N CONF.DIN50930-6  
Other components in FORGED brass EN 12420-CW617N CONF.DIN50930-6  
Other components in turned brass EN 12164 - CW614N  
Pre-shaped and folded EPDM rubber (peroxide cured) diaphragm, nylon reinforced to 70 Sh  
Seat gaskets in EPDM rubber (peroxide cured)  
O-ring washers dynamic seal in EPDM RUBBER (peroxide-cured)  
O-ring washers static seal and seat gaskets in NBR RUBBER  
Setting spring in SM GALVANIZED STEEL - EN 10270-1  
STAINLESS STEEL insert seat EN 10088-14305 (AISI 303)  
Square cell filtering cartridge in STAINLESS STEEL EN 10088-1.4301 (AISI 304) 500 µm

#### PRODUCT CODES

0200.015	dismantling fitting male 1/2"	0200.025	dismantling fitting male 1"
0200.020	dismantling fitting male 3/4"	0200.033	dismantling fitting male 1"1/4"

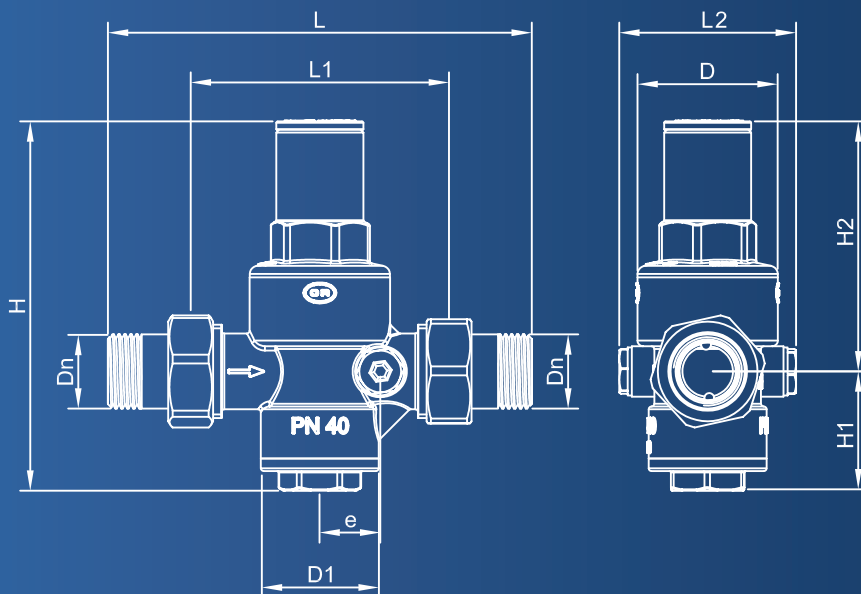
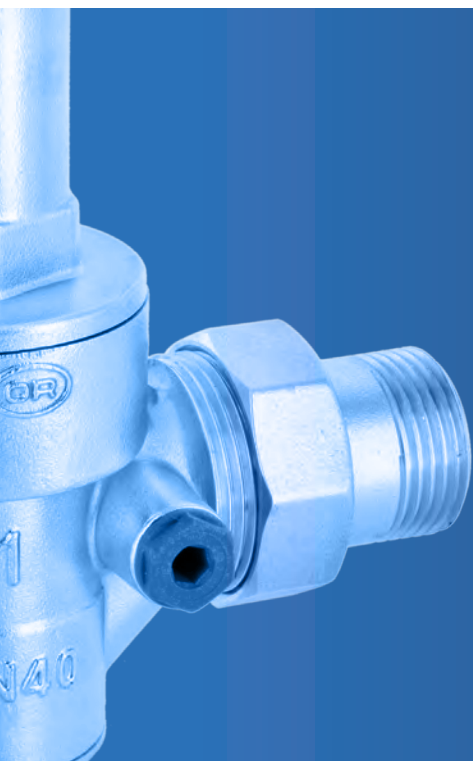


OFFICINE RIGAMONTI S.p.A.  
via Circonvallazione, 9  
13018 Valduggia (VC), ITALY  
TEL. +39 0163.48165  
FAX +39 0163.47254  
www.officinerigamonti.it  
export@officinerigamonti.it

# 0200 • 1/2" - 1"1/4

PRESSURE REDUCING VALVES WITH DIAPHRAGM "TEUTON" PN 40  
WITH INCORPORATED FILTER AND STAINLESS STEEL SEAT

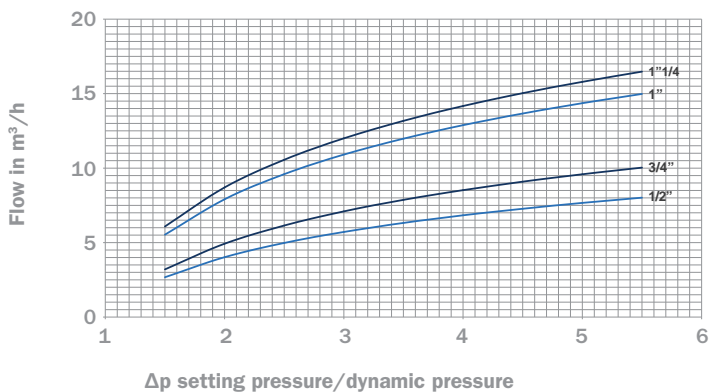
CONNECTIONS: DISMANTLING FITTINGS MALE



## FEATURES

Dn	D	D1	L	L1	L2	H	H1	H2	e
1/2"	Ø50	Ø42	131	76	63	131,5	42,5	89	21,5
3/4"	Ø50	Ø42	151	90	63	131,5	42,5	89	21,5
1"	Ø61	Ø48	165	95	74	161	49	112	25,5
1"1/4	Ø61	Ø48	185	109	74	161	49	112	25,5

## PRESSURE REDUCING VALVE "TEUTON" 1/2" - 1"1/4



Δp setting pressure/dynamic pressure