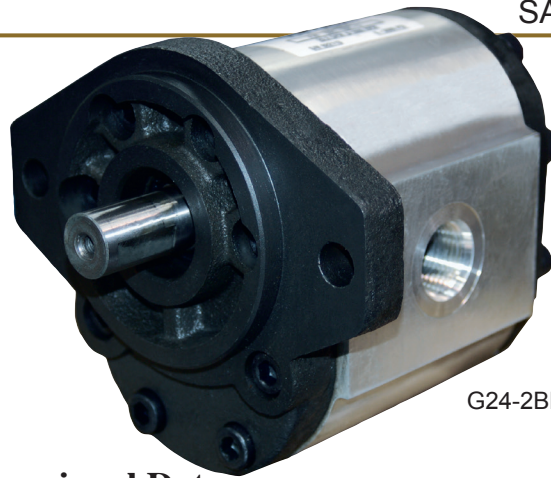


Features

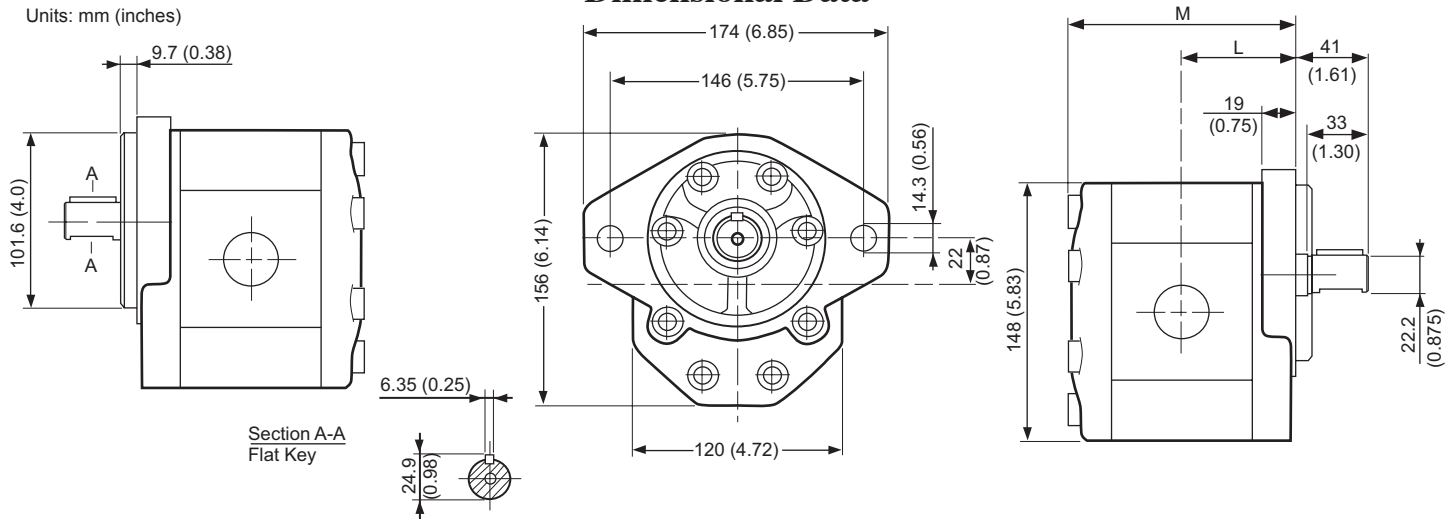
- Simple Compact Design
- High Mechanical and Volumetric Efficiency
- Low Noise Levels During Pump Operation
- Cast Iron Flange and Rear Cover
- Aluminum Alloy Body
- Hardened Steel Gears



G24-2BK-3

Dimensional Data

Units: mm (inches)



Model	Displacement		Pressure <small>psi (mpa)</small>		RPM Range	Dimensions <small>mm (inch)</small>		Port SAE
	ml/r.	cu.in/r.	Continuous	Max.		L	M	
G16-2BK-3	33.0	2.01	3300 (23)	3915 (27)	3300	69.5 (2.736)	139.5 (5.492)	In
G18-2BK-3	39.0	2.38	3190 (22)	3770 (26)		71.5 (2.815)	143.5 (5.650)	
G20-2BK-3	44.0	2.69	3000 (21)	3625 (25)		73 (2.874)	146.5 (5.768)	Out
G24-2BK-3	52.0	3.17	2900 (20)	3335 (23)		76 (2.992)	152.5 (6.004)	
G29-2BK-3	61.0	3.72	2755 (19)	3190 (22)	2000	79 (3.110)	158.5 (6.240)	In
G33-2.5K-2BK-3	71.0	4.33	2465 (17)	2900 (20)		82.5 (3.248)	165.5 (6.516)	
G37-2.3K-2BK-3	78.0	4.76	2320 (16)	2755 (19)		85 (3.347)	170.5 (6.713)	Out
G41-3K-2BK-3	87.0	5.31	2030 (14)	2465 (17)		88 (3.465)	176.5 (6.949)	

Ordering Information

G24 - 2BK - 3

G Series (gpm) G16 G24 G37 G18 G29 G41 G20 G33	Mounting Style 2BK= SAE-B, 2 Bolt, 7/8" Dia. Keyed Shaft x 1/4" wide Sq. Key	Series 3 Porting Female SAE #20 Inlet, #16 Outlet #24 Inlet, #20 Outlet
---	---	--