



SERIES DAFA | AIR FLOW INDICATOR AND ALARM

FEATURES/BENEFITS

- Simple and quick installation
- Field trimmable vane included to allow unit to be used in 3" and 4" pipes
- Audible and visual alarms
- Battery-operated with up to 5 year battery life and low battery warning

APPLICATIONS

- Radon mitigation systems
- Air-flow monitoring in 3" and 4" pipes



DESCRIPTION

The **Series DAFA Air Flow Indicator and Alarm** alerts users of low or no air flow conditions in pipes utilizing a thin, field trimmable vane to sense the air flow rate. An 85 dB audible buzzer alternates with a bright red LED to alert users when the air flow rate drops, indicating low or no flow in the pipe. The DAFA is battery powered to provide versatility for where it can be installed, and offers a yellow LED to indicate a low battery. This device is ideal for monitoring radon mitigation systems by detecting a loss of air flow in the pipe and providing a signal to homeowners if the fan has stopped operating.

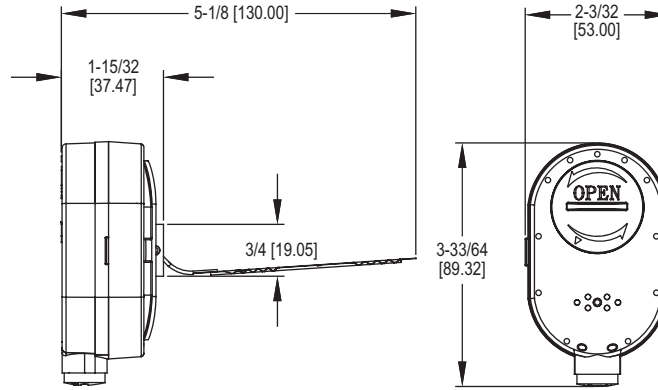
SPECIFICATIONS

Service	Clean air.
Actuation Point	15 CFM (4" Pipe) / 10 CFM (3" Pipe) on decrease in flow.
Audible Alarm	At least 85 dB @ 1' distance.
Visual Alarm	Red LED for no flow alarm; Yellow LED for low battery.
Wetted Materials	ABS, polycarbonate, rare earth magnet.
Power Requirements	3 V CR2450 lithium battery, included, user replaceable.
Battery Life	5 years steady state; 48 hours during alarm state.
Temperature Limits	32 to 122°F (0 to 50°C).
Mounting Orientation	Vertical.
Weight	4 oz (113.4 g).
Agency Approvals	CE.





DIMENSIONS



HOW TO ORDER

Use the **bold** characters from the chart below to construct a product code.

SERIES	DAFA-1
DAFA-1 - Air flow alarm and indicator	

ACCESSORIES

Model	Description
A-DAFA-VANE	Replacement trimmable vane
A-DAFA-BCOV	Replacement battery cover

Important Notice: Dwyer Instruments, Inc. reserves the right to make changes to or discontinue any product or service identified in this publication without notice. Dwyer advises its customers to obtain the latest version of the relevant information to verify, before placing any orders, that the information being relied upon is current.

