

► Our technology. Your success.

Pumps • Valves • Service



BOA-Compact – Maintenance-free Soft-seated Globe Valve



Applications:

- Hot water heating systems
- Air-conditioning systems

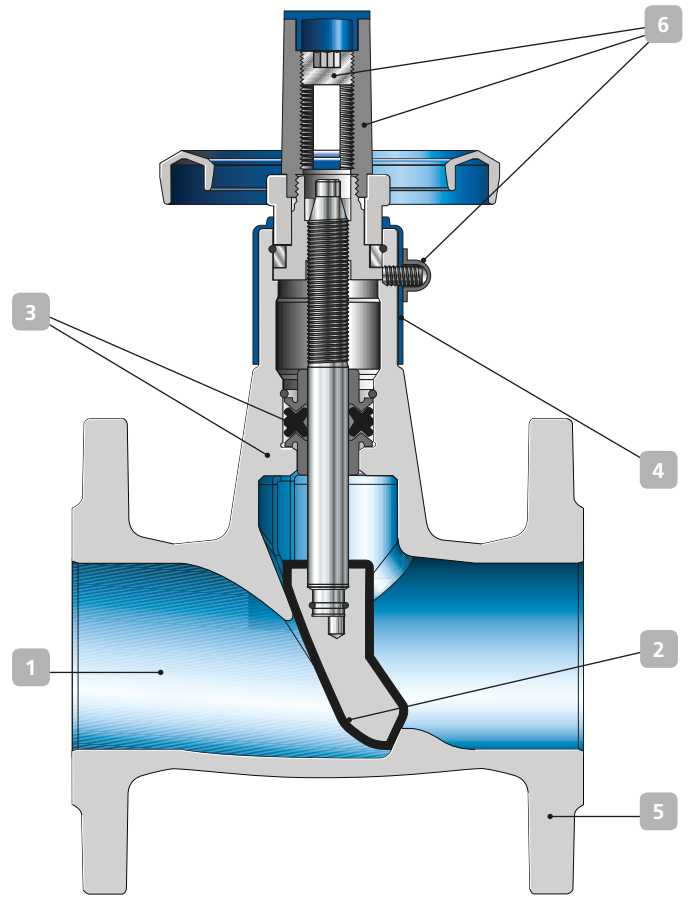
The limits given in the technical codes must be complied with. Please contact us for details.

More information:

www.ksb.com/products

BOA-Compact – Maintenance-free Soft-seated Globe Valve

- 1 Little pressure loss**
due to hydraulically favourable flow passage
- 2 One model for shut-off and throttling**
due to EPDM-encapsulated throttling plug with linear characteristic
- 3 Zero leakage and zero maintenance for life**
due to lubricated-for-life EPDM profile ring and single-piece body
- 4 Easy insulation**
due to simple body design and anti-condensation feature (insulating cap)
- 5 Space-saving, low-weight design**
of body with face-to-face length to EN 558/14
- 6 Fully equipped at no extra price**
with internal travel stop, position indicator and locking device



Related type series



BOA-CVE Compact
Control valve with electric actuator

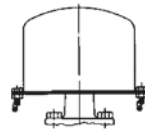


BOA-SuperCompact
Soft-seated globe valve with face-to-face length to EN 558/94



BOA-Compact EKB
Drinking water approved model with electrostatic plastic coating (EKB)

Variants



Lead-sealable cap (assembly set)

Technical data

Material	EN-GJL 250
Nominal sizes	DN 15 to DN 200
Nominal pressure	PN 6 or 16
Permissible operating temperature	-10 to +120°C
Permissible operating pressure	16 bar



KSB Aktiengesellschaft
Johann-Klein-Straße 9
67227 Frankenthal (Germany)
www.ksb.com