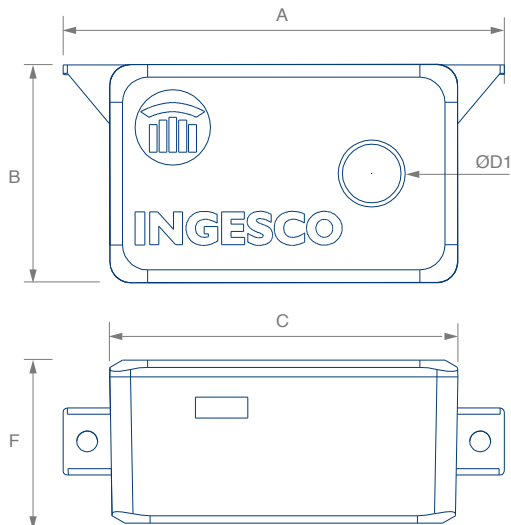




▶▶ CDR-11 LIGHTNING COUNTER

Electro-mechanical lightning discharge counter.



▶ applications

The lightning counter CDR-11 is a device designed to detect lightning strikes upon any external lightning protection system (lightning rods, ESE, faraday cages, etc...).

▶ operation

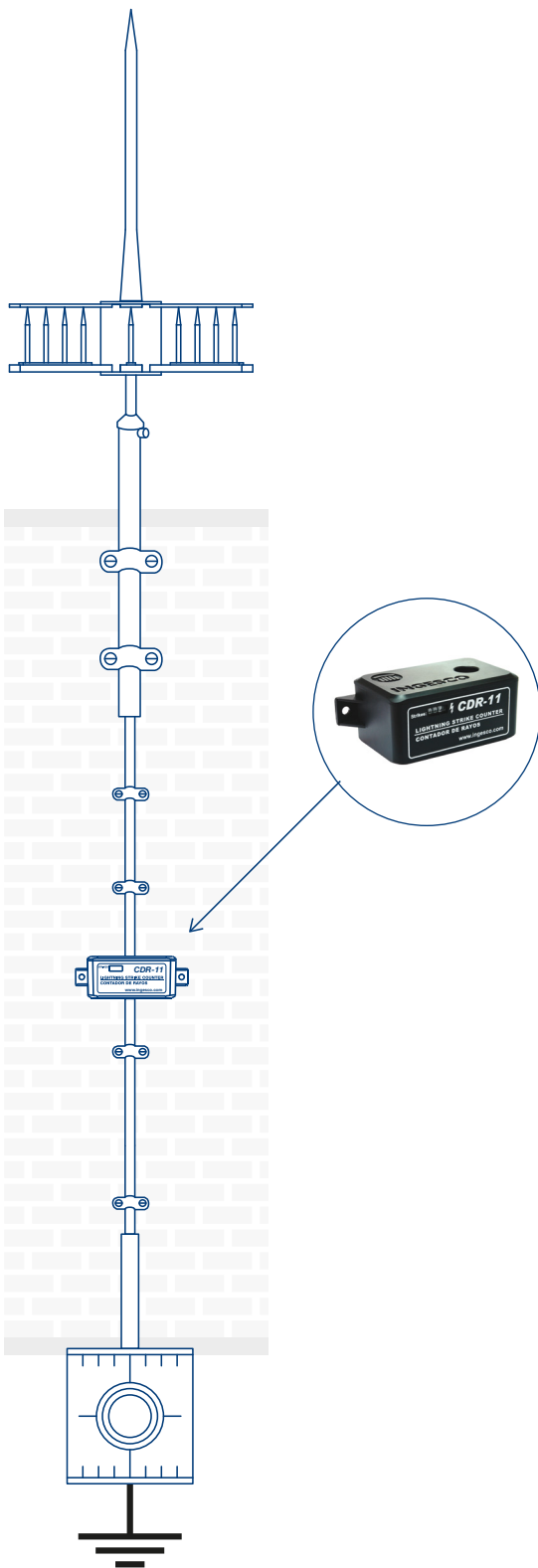
CDR-11 detects the electrical energy that is derived to the ground through a conductor when a lightning impact occurs. The device registers each impact incrementing the counter in one unit each time. CDR-11 must be installed in the down conductor that connects the lightning rod to the grounding system. It does not use any type of power supply because it uses the electric energy of the lightning.

▶ standards and tests

The installation of lightning impacts counters in the down-conductors are strongly recommended in the standards UNE 21.186, NFC 17-102 and IEC 62.305, to allow a proper control and verification of a protection system after any eventual lightning strike.

The CDR-11 lightning counter has been designed according to the requirements of the IEC 62.561/6:2011 Components of protection against lightning (CPCR).

Part 1: Requirements for the fitting components. Tests carried out by LABELEEC, electro technical test laboratory, accredited by ENAC (Accreditation number: 307/LE681).



Esquema de instalación de un pararrayos

► technical specifications

Description	Ref.	A (mm)	B (mm)	C (mm)	F (mm)	D1 (mm)	Weight (g)
CDR-11	430019	105	52	83	40	14	290

Parameters

Working temperature:	from -20° to 65°C
Range of Intensity:	1kA (8/20µs) - 100kA (10/350µs)
Range of register:	from 0 to 999 impulses
Protection degree:	IP65
Kind of conductors:	Round Ø8-12mm, cable 50 to 95mm ² of section (Available flat conductor adapter kit Ref.115117)
Minimum torque:	10 Nm
Resettable:	NO

► CDR-11 characteristics

- Great register capacity (999 impulses).
- Easy visual control.
- Detection of impulses from:
 - Intensity min: 1kA (8/20µs according to 62.561-6:2011).
 - Intensity max: 100kA (10/350µs according to 62.561-6:2011).
- Compact and robust design.
- Durability.

► guarantees and benefits

- Fulfills standard norms UNE 21.186, NFC 17.102 and IEC 62.305.
- Easy adaptation to the down conductor of any lightning protection system.
- Allows controlling the lightning rod condition.
- Works in any atmospheric condition (from -20°C to 65°C).
- Offers updated and reliable information.
- It does not need power supply.
- Easy installation and operation.

Remember

According the standards norms NFC 17.102, UNE 21.186 and IEC 62.305, each lightning protection system must be periodically checked, especially after any lightning impact on it.



DENA DESARROLLOS SL

Duero 5 | 08223 Terrassa | Barcelona | Spain
 T 937 360 305 | T (+34) 937 360 314
 F 937 360 312
 central@ingesco.com

CDR-11 LIGHTNING COUNTER