

SMI7 Microbiological Incubator



Model Name / Order Part ID	SMI7/SLM722
Capacity	6.5 cu.ft. (184 liters)
Interior Dimensions (W x D x H)	23.7" x 24.0" x 20.0" 602 x 610 x 508 mm
Exterior Dimensions (W x D x H)	30.0" x 31.0" x 32.0" 762 x 787 x 813 mm
Unit Weight	162 lb (73.5 kg)
Shipping Weight	198 lb (90 kg)
Shelves	2 standard, 9 maximum
Maximum Weight Per Shelf	35 lb (15.9 kg)
Permitted Total Load	70 lb (31.8 kg)
Standard Door Gasket	Vinyl
Access Port	1
Controls	Digital
Warranty	2 Year Warranty
Interior Construction	430 Stainless Steel
Exterior Construction	Painted Cold Roll Steel
Vertical Clearance	2" (51 mm)
Wall Clearance, Each Side	4" (102 mm)
Wall Clearance, Rear	4" (102 mm)

Electrical

Electrical Supply /Hz, AC, 1Ø	50-60 Hz, 100-120 AC, 6.5 Amps
Nominal Power (watts @ 37°C)	136 watts
Plug Supplied	NEMA 5-15P
Energy Consumption (kWh/day) - At 37°C	3.2

Temperature Range Ambient +8°C to 70°C

Recovery after Door Opening (30 sec.) - Minutes to 37°C	5.0
Recovery after Door Opening (60 sec.) - Minutes to 37°C	6.0

Temperature Uniformity

At 37°C	0.5
---------	-----

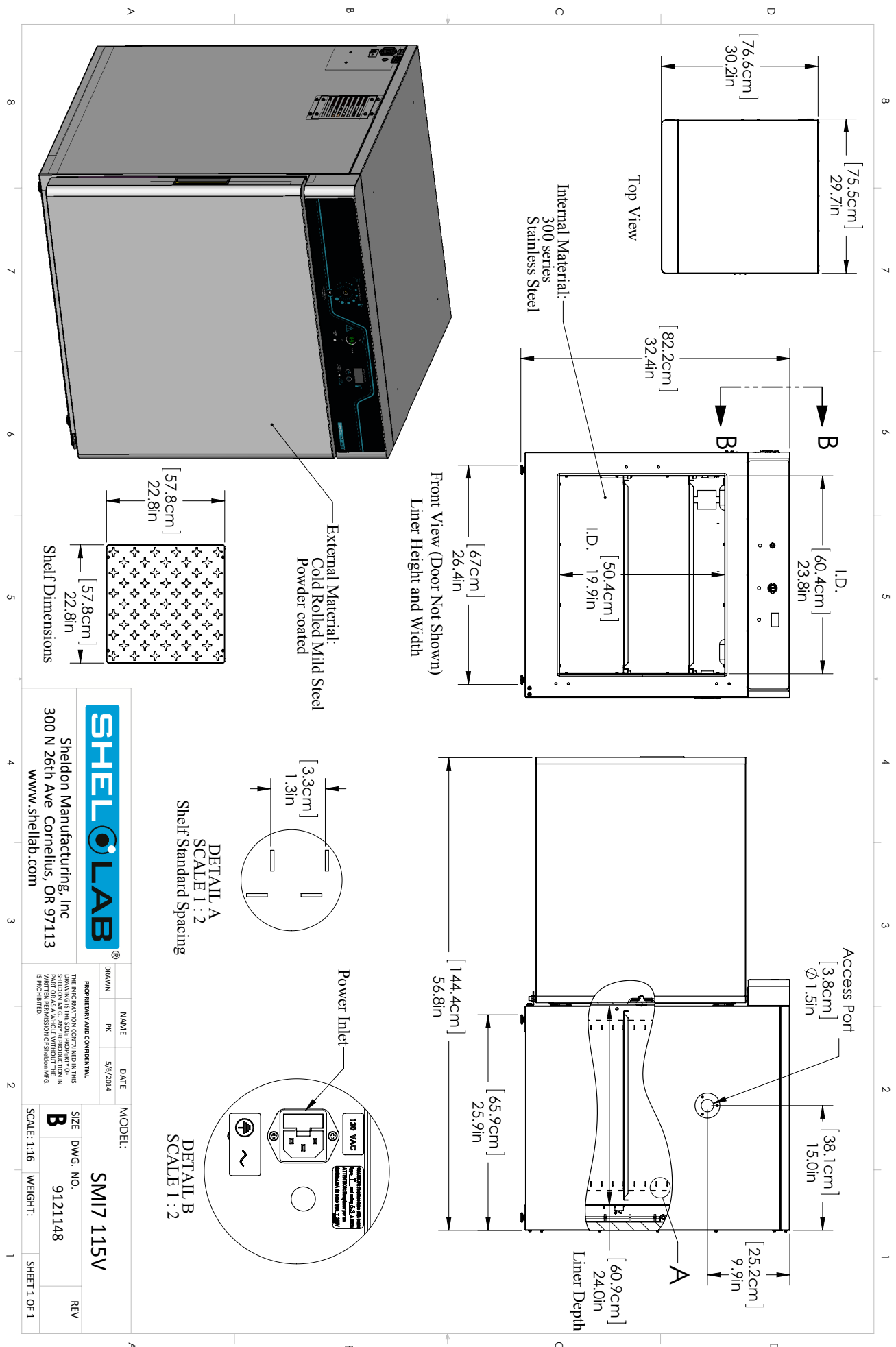


Learn More About Sheldon Manufacturing
sales@sheldonmfg.com
sheldonmanufacturing.com
 (503) 640-3000



We reserve the right to alter specifications at any time

SHEL LAB is a Sheldon Manufacturing Brand



SHELL LAB		Sheldon Manufacturing, Inc 300 N 26th Ave Cornellius, OR 97113 www.shellab.com	
DATE	5/6/2014	MODEL:	SM17 115V
NAME		SIZE	B
PK		DWG. NO.	9121148
DRAWN		SCALE:	1:16
<small>PROPRIETARY AND CONFIDENTIAL</small> <small>THE INFORMATION CONTAINED HEREIN IS THE PROPERTY OF SHELDON MFG. ANY REPRODUCTION IN WRITING OR BY ANY MEANS WITHOUT THE WRITTEN PERMISSION OF SHELDON MFG. IS PROHIBITED.</small>		REV	
		WEIGHT:	
		SHEET	1 OF 1