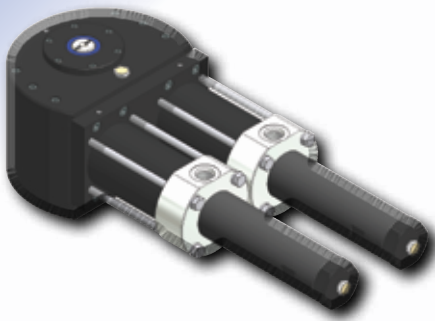


HYDRAULIC ACTUATORS

A Hydraulic Alternative to Standard Electric or Pneumatic 3000 PSI Max Operating Pressure ~ Dual Acting



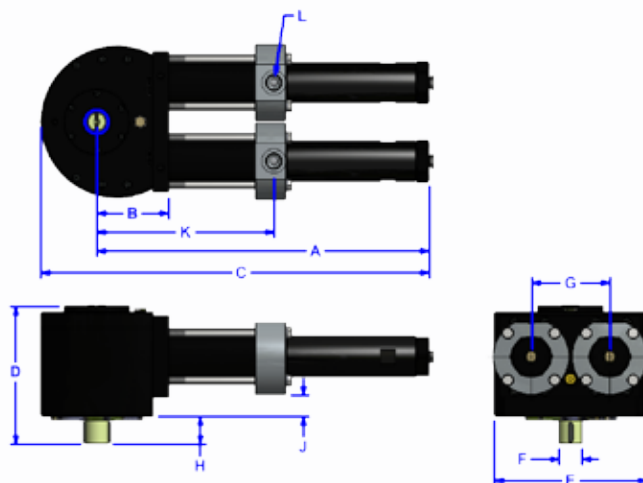
DMIC is proud to offer our line of hydraulic actuators for ¼ turn ball valves, an alternative to pneumatic or electric actuation, with high torque outputs in a small package. DMIC hydraulic actuators work with all DMIC ball valves and can easily be specified by adding the appropriate ordering codes to your ball valve selection!

DMIC actuators include these great features:

- 3,000 PSI maximum operating pressure
- Flow indicator
- Easily accepts other accessories, like limit switches or proximity sensors
- Smooth operation with dependable quality you've come to expect from DMIC
- Over 1,000,000 cycles life (before repacking)
- Compact designs can deliver up to nearly 4,000ft*lbs of torque

AC-HAE Shown

Actuators	MAX PSI Rating	MAX Torque (ft-lbs)	Dimensions (inches)											Cycle Time	Input Flow
			A	B	C	D	E	F	G	H	J	K	L		
			Length	Length	Overall Length	Overall Height	Overall Width	Shaft Size	Port Center Distance	Shaft Height	Height	Distance	Port Size		
AC-HAE	3000 PSI	7,680 (640 ft-lbs)	16.24	3.50	18.98	6.80	7.45	1.13	3.84	1.34	1.05	8.66	SAE-8	0.52 sec	2 GPM
AC-HAG		23,160 (1,930 ft-lbs)	25.78	6.00	30.03	9.21	11.47	1.75	6.08	1.78	1.23	13.94	SAE-16	0.63 sec	5 GPM
AC-HAJ		48,480 (4,040 ft-lbs)	33.88	8.00	39.67	11.83	15.97	2.31	8.78	2.61	2.43	18.40	SAE-16	0.82 sec	8 GPM



Order Codes



ACT Series	
Code	Range
HAE	Medium Torque
HAG	Hi Torque
HAI	Extreme Torque

Due to our policy of continual product improvement, the specifications in this catalog may change without notice. When designing by spec, please request a certified print.



HYDRAULIC ACTUATORS



Note: Changes from Standard Materials result in changes to temperature and/or pressure rating.
Due to our policy of continual product improvement, the specifications in this catalog may change without notice. When designing by spec, please request a certified print.

