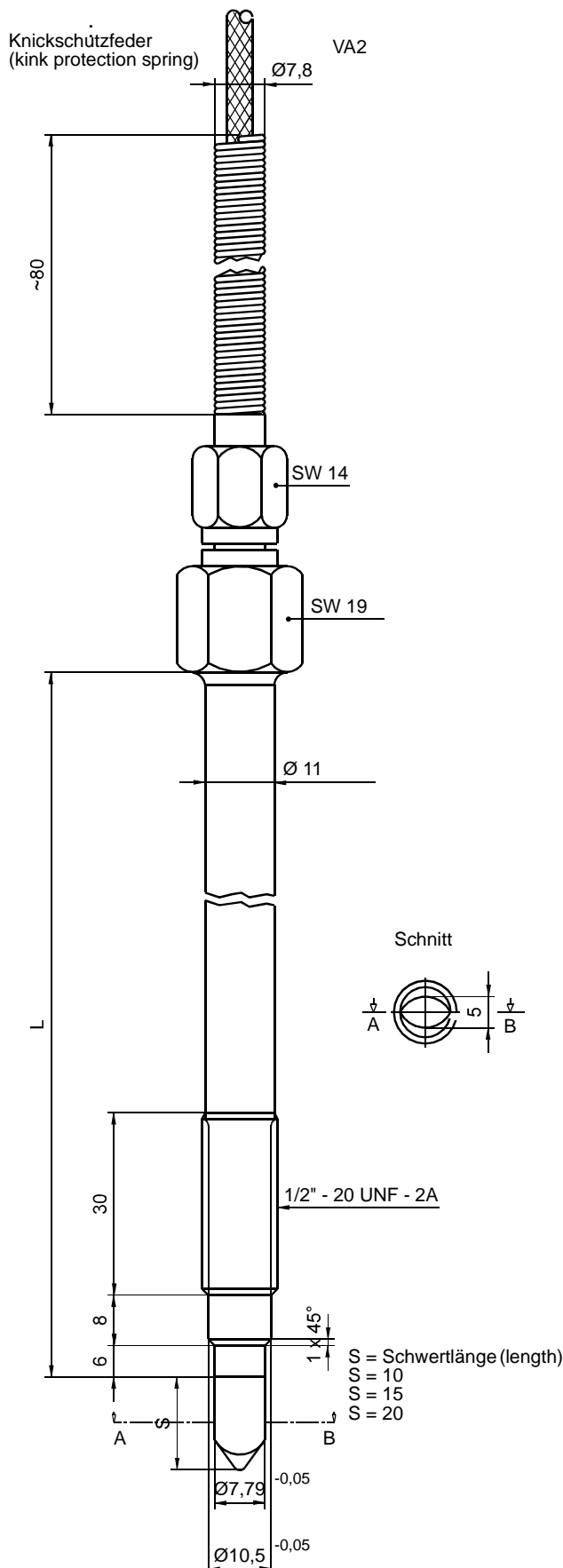


### Melt-sword-Thermocouple Type : MAT-33



<b>thermoelectric voltage</b>	: Fe-CuNi ½ DIN 43710 (L) Fe-CuNi DIN EN 60584, Kl. 1 (J) NiCr-Ni DIN EN 60584, Kl. 1 (K)
<b>sensor tip</b>	: sword, Material 1.4571 S=10, 15 or 20 mm
<b>shaft length</b>	: L to customer
<b>control point</b>	: free of potential
<b>screw-in</b>	: thread G ½" 20 UNF - 2A Material 1.4305 SW 17
<b>kink protection: spring</b>	V2A
<b>measuring insert</b>	: permanently installed potential-free mineral insulated-thermocouple
<b>pressure</b>	: standard version to max. 1200 kp/cm <sup>2</sup>
<b>operation temperature</b>	: to max. 400°C
<b>thermocouple wire</b>	: 2 x 0,35 mm <sup>2</sup> fiber glass insulation and specially impregnated wire mesh from soft galvanized iron wires