

ELECTRONIC  
HANDWHEEL  
FOR PANEL

**VE110**

ELECTRONIC HANDWHEEL WITH MOUNTING SQUARE FLANGE, FIT TO BE USED ON CNC, CONTROL BOARDS, ETC. THE KNOB IS COMPLETELY TURNED FROM SOLID AND THE INCISIONS ARE PANTOGRAPHED. IT IS POSSIBLE TO HAVE A CUSTOM CENTRAL LOGO.

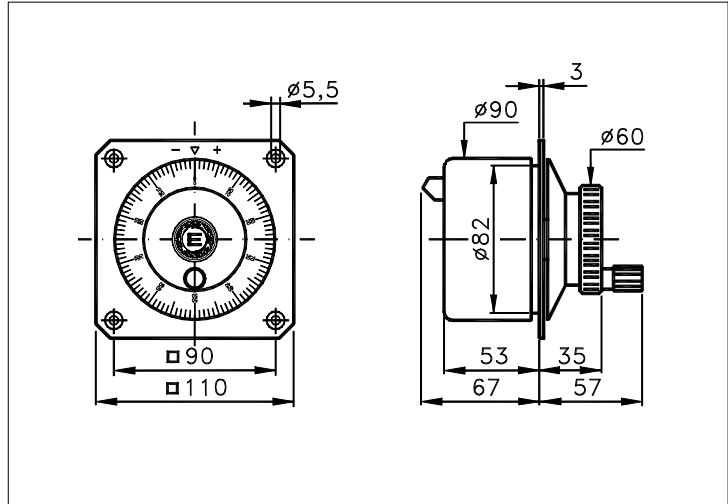
Elect.handwheel for panel  
01.VE110 1/2

data sheet . IV001 E00

Sized draw standard version:

CV

Measures without tolerance according to UNI ISO 2768-mk



**TECHNICAL FEATURES AND POSSIBLE CONFIGURATIONS**

- Housing.....: ANODIZED ALUMINIUM
- Knob/scale plate....: ANODIZED ALUMINIUM
- Weight.....: 900 g
- Cover.....: ANODIZED ALUMINIUM
- Shaft.....: STAINLESS STEEL
- IP output side.(°):: see 'CONNECTIONS' of page 2
- IP shaft side..(°):: 65
- Impact resistance...: 50 G x 11ms
- Vibration strenght..: 12 G (10 ÷ 2000 Hz)
- Starting torque Nm.: 0,15

- Rotat. life @ 200 RPM: >= 1000000 h
- Operating temperature: 0 ÷ 70 °C
- Storage temperature...: -30 ÷ 85 °C
- Pulses per revolution: 100 (std) (\*)  
1 ÷ 2500 (clutched)
- Max consumption mA...: std 80 line driver 150
- Light source.....: LED with >= 100000 h life

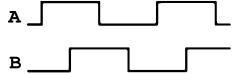
(°) IP according to CEI EN 60529, EN 60529, IEC 529

(\*) with detent at each step

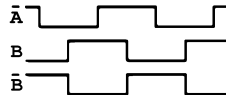
**ELECTRONICS**

CODE	DESCRIPTION	mA	CODE	DESCRIPTION	mA	CODE	DESCRIPTION	mA	CODE	DESCRIPTION	mA
	STANDARD NPN	10	N	DRIVER 26LS31	30						
K	NPN OPEN COLL	10									
Q	NPN	70	C	DRIVER 88C30	20						
R	NPN OPEN COLL	70	L	2x PUSH-P.PRO	70						
P	PNP	70	M	2x PUSH-PULL	70						
U	PNP OPEN COLL	70									
B	PUSH-PULL PRO	70									
H	PUSH-PULL	70									

(§)



A (§)



(§)

(§)

Tolerance between phases ± 25°, symmetry ± 15°

(§) Clock-wise output rotation (see shaft).



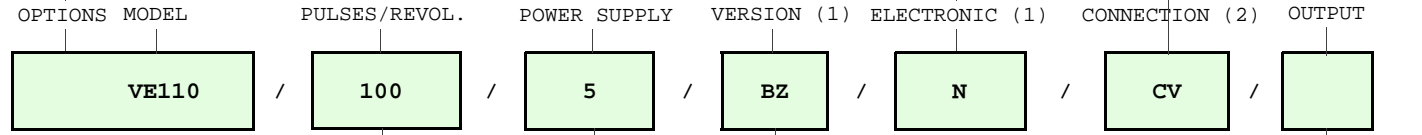
ELCIS s.r.l. Via Rosa Luxembourg 12/14 10093 COLLEGNO (TO) ITALY  
Phone: +39 011 715577/78 a.r.  
MAIL: ELCIS s.r.l. P.O.Box 90 10093 COLLEGNO (TO) ITALY

\* <http://www.elcis.com>  
\* e-mail: [info@elcis.com](mailto:info@elcis.com)  
\* Fax: +39 011 712613

POSSIBLE OPTIONS				POSSIBLE CONNECTIONS								
CODE	DESCRIPTION	CODE	DESCRIPTION	CABLE			OUTPUT:					
F	Clutched			CV			AX RAD					
N	Black knob			CONNECTOR			OUTPUT:					
W	Black flange			CM	SM	CL	SL	CD	CH	CH5	CI	AX
E	Custom central logo			CE			C4	CH6				RAD
K	Invert. phase A,B,Zero			CABLE END CONNECTOR			OUTPUT:					
G	Tropicalization			VM	TM	VL	TL	VD	VH	VH5	VI	AX
M	Impregnated electronic			VE	VK	TK	VN	VH6	VM5	VM9	VS	RAD
				VD5								
X	Custom options			TERMINAL BOX			OUTPUT:					
				MS								AX

### ORDERING INFORMATION

OPTIONS	MODEL	PULSES/REVOL.	POWER SUPPLY	VERSION (1)	ELECTRONIC (1)	CONNECTION (2)	OUTPUT
( F ) ( N ) ( W ) ( E ) ( K ) ( G ) ( M ) ( ) ( ) ( ) ( ) ( X )	VE110	100	5	BZ	N	CV	
( ) STANDARD NPN ( K ) NPN OPEN COLL ( Q ) NPN ( R ) NPN OPEN COLL ( P ) PNP ( U ) PNP OPEN COLL ( B ) PUSH-PULL PRO ( H ) PUSH-PULL ( N ) DRIVER 26LS31 ( ) ( C ) DRIVER 88C30 ( L ) 2x PUSH-P.PRO ( M ) 2x PUSH-PULL ( ) ( X ) CUSTOM OPTION ( )		1+2500 100	( Vcc ) ( 5 ) 5 V ±5% ( 824 ) 8÷24 V ( 1828 ) 18÷28 V ( 815 ) 8÷15 V ( 12 ) 12 V ±5% ( 24 ) 24 V ±5% ( 1230 ) 12÷30/12 V ( 8245 ) 8÷24/5 V ( 1030 ) 10÷30 V ( 18285 ) 18÷28/5 V ( 1530 ) 15÷30/15 V ( )	( B ) Bidirezionale			AX ( ) RAD ( R )




NOTE: FOR 88C30 MAX 15 Vdc

(\*) With detent at each step  
 (1) For further informations see ELECTRONIC data sheet  
 (2) For further informations see CONNECTION data sheet

Product manufactured according to UNI EN ISO 9001:2000, supplied with CHECKING and CONFORMITY declaration with CE mark and with TWO (2) YEARS WARRANTY starting from delivery date.

COPYRIGHT by ELCIS - Collegno (TO)

	ELCIS s.r.l. Via Rosa Luxembourg 12/14 10093 COLLEGNO (TO) ITALY	* <a href="http://www.elcis.com">http://www.elcis.com</a>
	Phone: +39 011 715577/78 a.r.	* e-mail: <a href="mailto:info@elcis.com">info@elcis.com</a>
	MAIL: ELCIS s.r.l. P.O.Box 90 10093 COLLEGNO (TO) ITALY	* Fax: +39 011 712613