

eOne MA

Analogue electromagnetic dosing pump with constant flow

eOne Ma is an electronic dosing pump with a "CLEVER" control of power, depending from the effective dosing conditions

General Features

- Flow rate control depending from pressure variation of the installation
- Energy saving
- Low heating of the device
- Low wear of mechanical and electrical components
- High injection frequency (up to 300 pulses/minutes)
- Manual flow rate adjustment by a knob
- Dual scale adjustment: **0 – 20% and 0 – 100%**.
- Proportional mode 1:1 by water-meter pulse-sender signal
- Multi-tension Power supply: 100 and 250 Vac 50/60Hz
- Pump head made of **PVDF**, polymer highly resistant, with all sealings in **TFE/P**, which is a new elastomer compatible with a wide variety of chemicals
- Manual air bleed pump head, except for the models 20.07 and 30.05.
- Level probe input
- Supplied with PVDF installation kit
- Flow rate: from 1 to 30 l/h
- Maximum pressure: up to 20 bar
- Stroke rate: from 180 to 300 impulses/min
- Diaphragm: PTFE
- External casing: Reinforced PP and chemical resistant

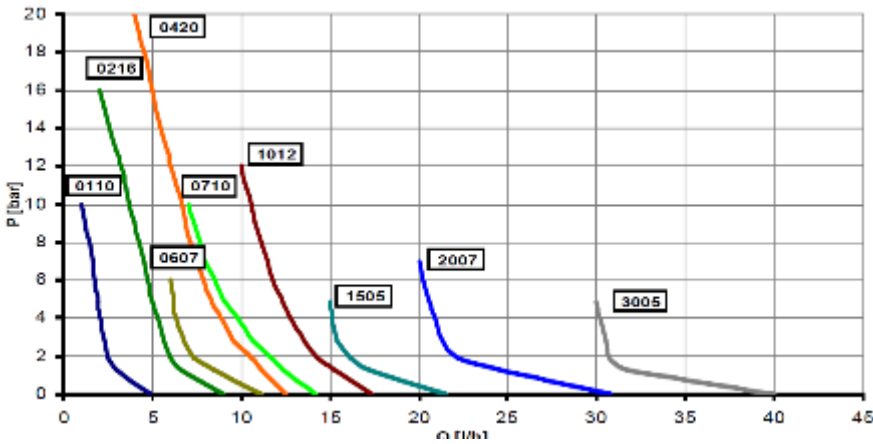


Pump failure alarms (Underload/Overload)

- **Underload alarm** (Suction alarm): for low (end) chemical level, blocking suction valve or damaged suction tube
 - **Overload alarm** (Discharge alarm): for over pressure inside the pump head, for excessive operating pressure inside the dosing pipeline, for clogging delivery valve...
-

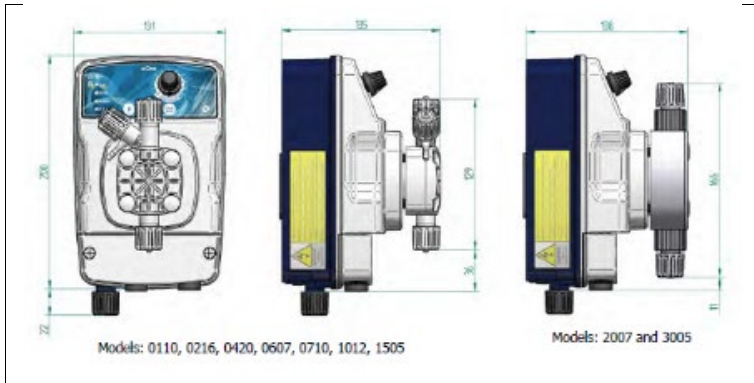
Technical Features

Model	Flow rate l/h – (US gal/h)	Pressure bar - psi	Injection Volume (cc)	Max frequency (pulse/min)	Connections Int/Ext (mm)	Power supply	Power consumption Min/Max (W)
0110	1.0 (0.264)	10 (145)	0.09	180	4/6	100 – 250 Vac 50 – 60 Hz	5/23
	1.8 (0.475)	6 (87)	0.16				
	2.5 (0.660)	2 (29)	0.23				
0216	2.0 (0.528)	16 (232)	0.11	300	4/6	100 – 250 Vac 50 – 60 Hz	7/26
	3.8 (1.008)	10 (145)	0.11				
	5.1 (1.354)	6 (73)	0.29				
0607	6.0 (1.584)	7 (102)	0.33	300	4/6	100 – 250 Vac 50 – 60 Hz	5/23
	6.3 (1.674)	4 (58)	0.35				
	7.3 (1.930)	2 (29)	0.41				
0420	4.0 (1.056)	20 (290)	0.22	300	4/6	100 – 250 Vac 50 – 60 Hz	10/32
	6.0 (1.584)	12 (174)	0.33				
	7.3 (1.930)	8 (116)	0.40				
0710	7.0 (1.859)	10 (145)	0.39	300	4/6	100 – 250 Vac 50 – 60 Hz	7/26
	8.5 (2.244)	6 (87)	0.47				
	11.7 (3.081)	2 (29)	0.65				
1012	10.0 (2.640)	12 (174)	0.56	300	4/6	100 – 250 Vac 50 – 60 Hz	10/32
	11.8 (3.113)	6 (87)	0.66				
	14.3 (3.765)	2 (29)	0.79				
1505	15.0 (3.960)	5 (73)	0.83	300	4/6	100 – 250 Vac 50 – 60 Hz	7/26
	15.4 (4.068)	3 (44)	1.18				
	17.2 (4.541)	1 (15)	0.96				
2007	20.0 (5.280)	7 (102)	1.11	300	6/8	100 – 250 Vac 50 – 60 Hz	10/35
	21.3 (5.623)	3 (44)	1.18				
	28.2 (7.445)	0.5 (7)	1.57				
3005	30.0 (7.910)	5 (72)	1.66	300	6/8	100 – 250 Vac 50 – 60 Hz	10/35
	30.8 (8.118)	2 (44)	1.71				
	36.5 (9.636)	0.5 (7)	2.03				



CODE	DESCRIPTION
PEU453894I	eOne MA 01 - 10
PEU453914I	eOne MA 02 - 16
PEU453924I	eOne MA 04 - 20
PEU453934I	eOne MA 06 - 07
PEU453944I	eOne MA 07 - 10
PEU453954I	eOne MA 10 - 12
PEU453964I	eOne MA 15 - 05
PEU453974I	eOne MA 20 - 07
PEU453864I	eOne MA 30 - 05

Overall Dimensions



CODE	DESCRIPTION
PBU453894I	eOneB MA 01 - 10
PBU453914I	eOneB MA 02 - 16
PBU453924I	eOneB MA 04 - 20
PBU453934I	eOneB MA 06 - 07
PBU453944I	eOneB MA 07 - 10
PBU453954I	eOneB MA 10 - 12
PBU453964I	eOneB MA 15 - 05
PBU453974I	eOneB MA 20 - 07
PBU453864I	eOneB MA 30 - 05