



Manual systems for sliding doors up to 120 kg Patented



3 interchangeable systems for an easier industrialization:

- System **2120** for light weight sliding doors of a maximum door weight of 60 kg, minimum door thickness of 40 mm, with fixed handles
- System **2130** for sliding doors of a maximum door weight of 80 kg, minimum door thickness of 50 mm, with fixed handles
- System **2150** for sliding doors of a maximum door weight of 120 kg, minimum door thickness of 50 mm

Features and advantages :

- Manual systems 2120 - 2130 - 2150 brackets have the same fixing positioning
- Using the same track, the difference comes from the accessories and floor guiding parts
- Pleasing appearance and cleanliness are achieved by the 15 microns anodised rail concealing the mechanical components
- Smooth and silent operation through using a dual roller system
- Through use of an anti-derailment feature safety is maximised
- The rail is easy to mount and requires minimum maintenance
- Extremely compact
- Excellent protection against corrosion
- Products in accordance to the UKCA/European Directives and Standards
- The Fermatic 2120-2130-2150 are a perfect answer for use within the Food Industries, Kitchens, Clean Rooms and Supermarkets.

ACCESSORIES

- Internal and external lever handles, face or edge-fixing
- Internal and external fixed handles
- Gaskets

OPTIONS

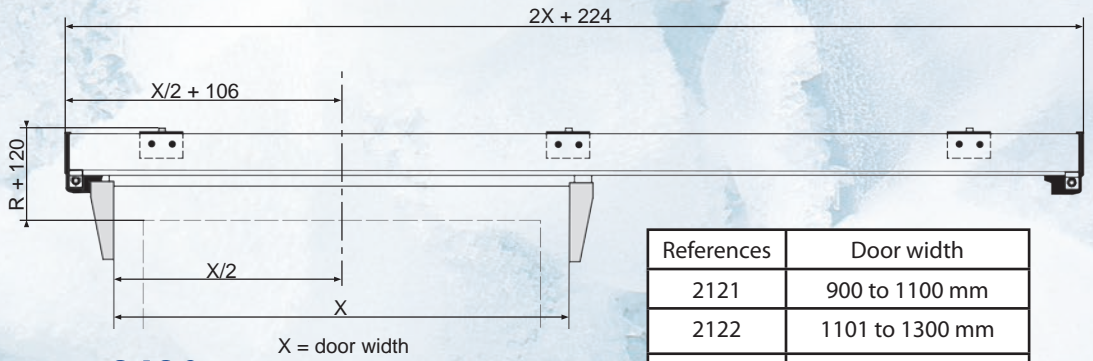
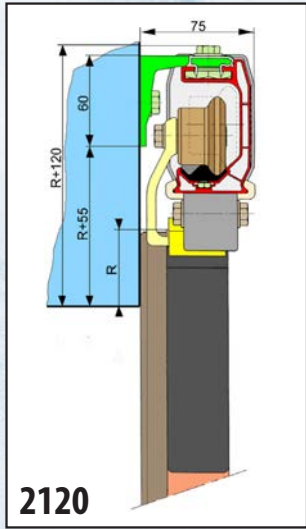
- Lock 55 or 55 HP (system 2120)
- Lock 57 or 57 HP (systems 2130 - 2150)
- Frame guiding system (systems 2130 - 2150)
- Self closure device *
- Automatic Kit *

* Ask for detailed literature





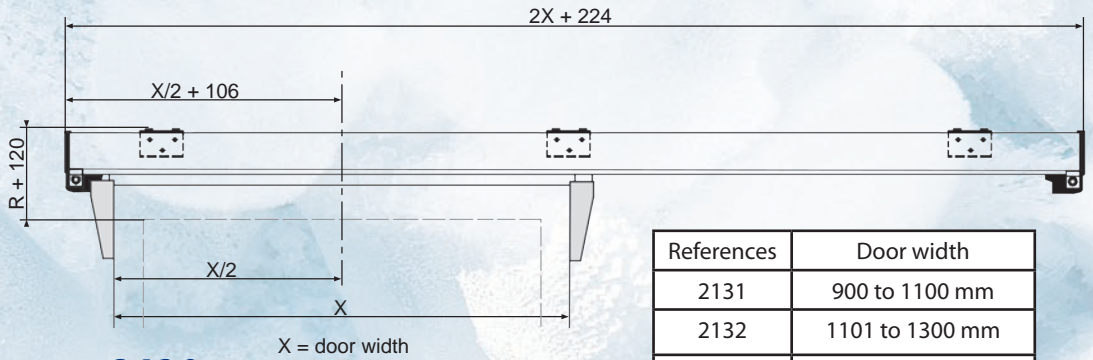
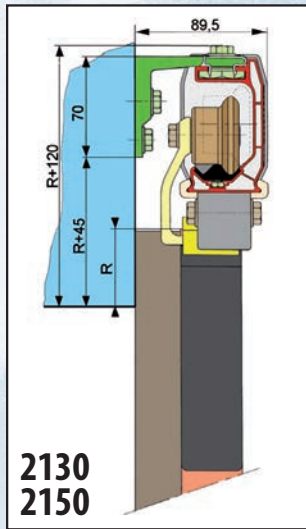
FERMATIC 2120 - 2130 - 2150



■ 2120

References	Door width
2121	900 to 1100 mm
2122	1101 to 1300 mm
2123	1301 to 1500 mm
2124	1501 to 1700 mm

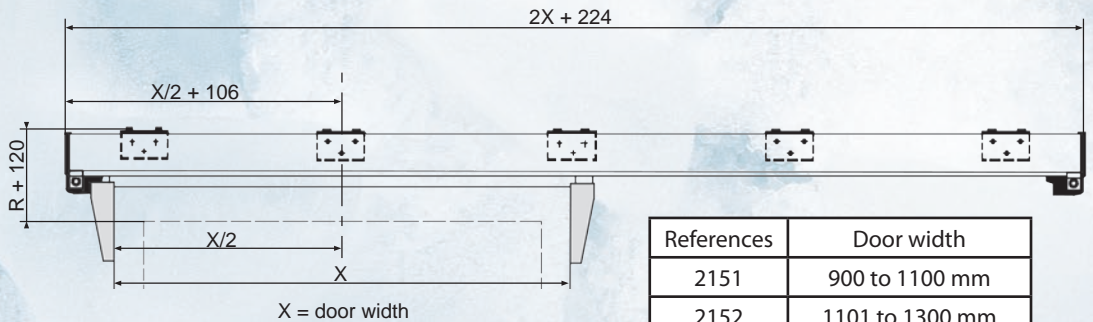
. Delivered also in 6140 mm length



■ 2130

References	Door width
2131	900 to 1100 mm
2132	1101 to 1300 mm
2133	1301 to 1500 mm
2134	1501 to 1700 mm
2135	1701 to 2000 mm
2136	2001 to 2300 mm
2137	2301 to 2600 mm

. Delivered also in 6140 mm length



■ 2150

References	Door width
2151	900 to 1100 mm
2152	1101 to 1300 mm
2153	1301 to 1500 mm
2154	1501 to 1700 mm
2155	1701 to 2000 mm
2156	2001 to 2300 mm
2157	2301 to 2600 mm

. Delivered also in 6140 mm length

DISTRIBUTOR

Imp. Polymercator - Beauvais

07/2022



FERMOD®



3 avenue Eugène Gazeau - 60300 SENLIS - FRANCE
 Tél. : +33 (0)3 44 53 12 86 - Fax : +33 (0)3 44 53 62 03
 www.fermod.com • e-mail: contact@fermod.com

Siège Social : Senlis (Oise) - Société Anonyme au Capital de 1 004 400 €
 RCS Compiègne B 301 468 211 - Siret 301 468 211 00018 - APE 2572 Z