



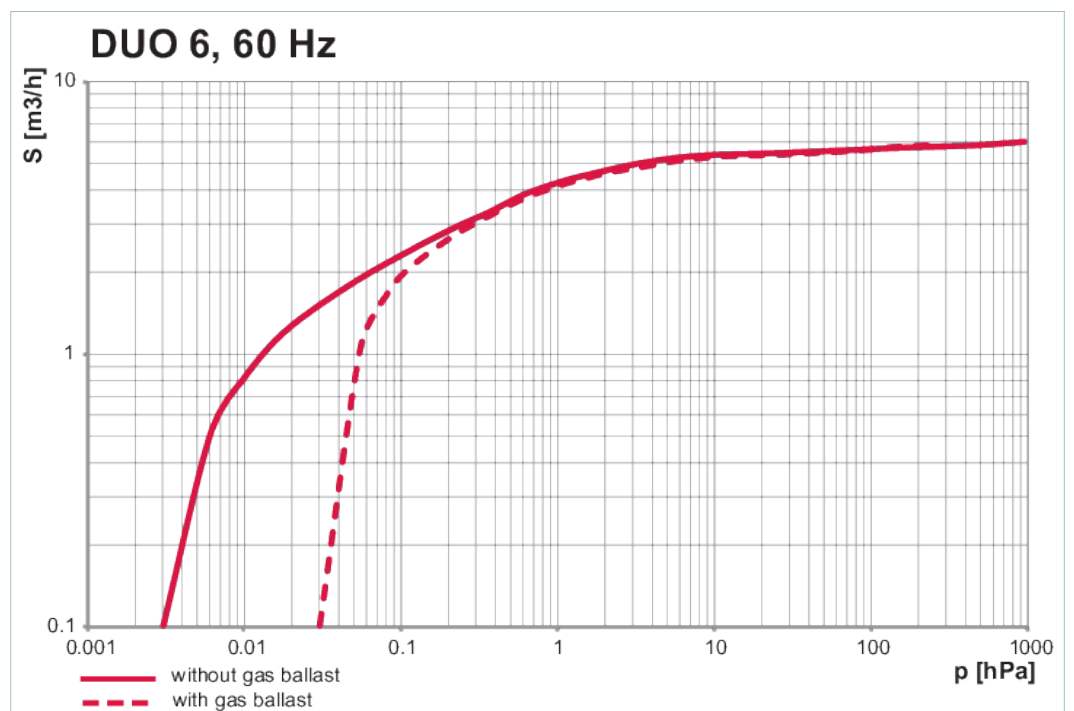
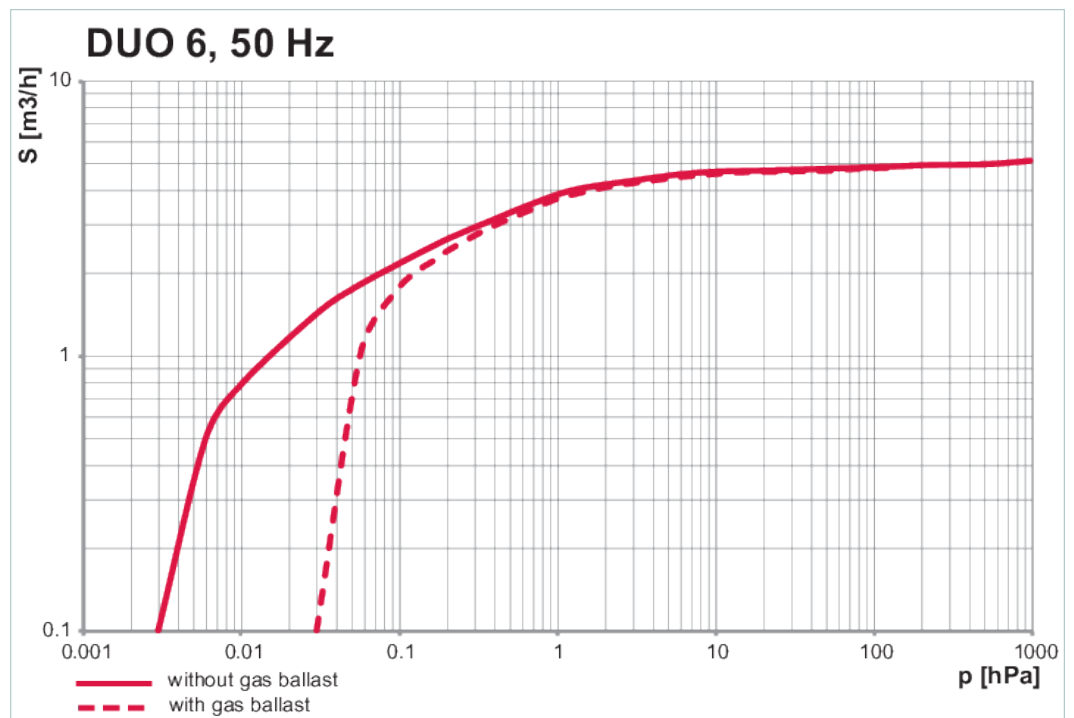
**Duo 6, 3-phase motor, 230/400 V,
50 Hz | 265/460 V, 60 Hz, 1TF**



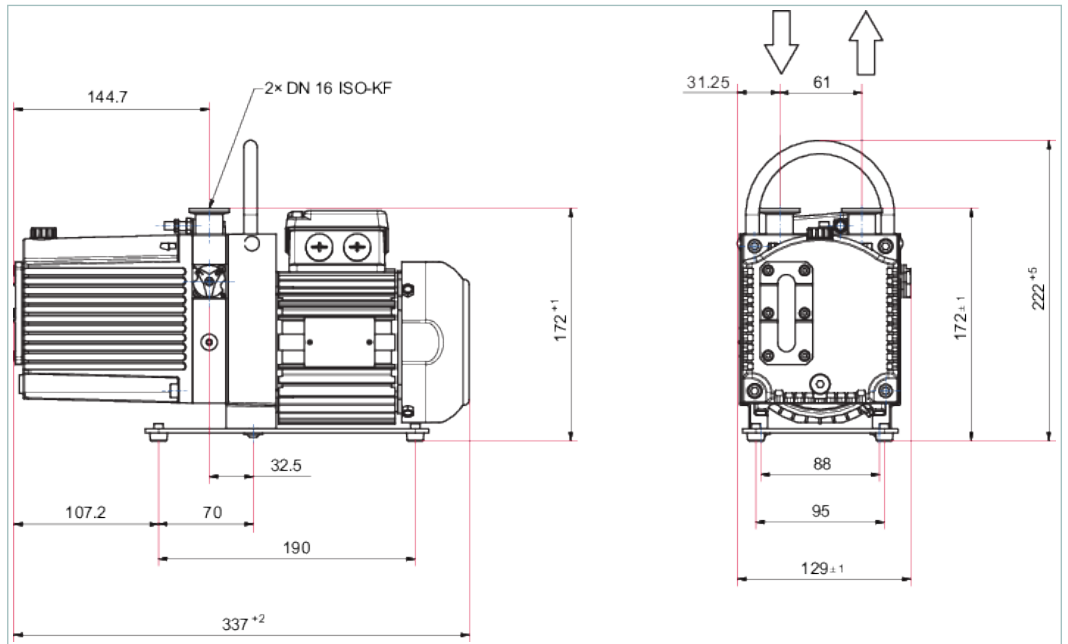
Similar Image

Duo 6, 3-phase motor, 230/400 V, 50 Hz | 265/460 V, 60 Hz, 1TF

- Dual-stage, high-performance rotary vane pump with a pumping speed of 5 m³/h at 50 Hz / 6 m³/h at 60 Hz
- With 3-phase motor, cable screw connection in terminal box
- Integrated gas ballast and HV safety valve
- For all low and medium vacuum applications
- Optionally with magnetic coupling
- Special feature: Various motor voltages for worldwide employment



Dimensions



Technical Data	Duo 6, 3-phase motor, 230/400 V, 50 Hz 265/460 V, 60 Hz, 1TF
Connection flange (in)	DN 16 ISO-KF
Connection flange (out)	DN 16 ISO-KF
Pumping speed at 50 Hz	5 m ³ /h 2.94 cfm 83.33 l/min
Pumping speed at 60 Hz	6 m ³ /h 3.53 cfm 100 l/min
Final pressure	3 · 10 ⁻³ hPa 2.25 · 10 ⁻³ Torr 3 · 10 ⁻³ mbar
Final pressure with gas ballast	3 · 10 ⁻² hPa 2.25 · 10 ⁻² Torr 3 · 10 ⁻² mbar
Exhaust pressure, min.	Atmospheric pressure
Exhaust pressure, max.	1,500 hPa 1,125 Torr 1,500 mbar
Water vapor capacity 50 Hz	110 g/h
Water vapor capacity 60 Hz	170 g/h
Water vapor tolerance at 50 Hz	30 hPa 22.5 Torr 30 mbar
Water vapor tolerance at 60 Hz	40 hPa 30 Torr 40 mbar
Rotation speed at 50 Hz	3,000 rpm 3,000 min ⁻¹
Rotation speed at 60 Hz	3,600 rpm 3,600 min ⁻¹
Cooling method	Air (Forced convection)
Motor protection	Bimetal
Motor type	3-phase motor
Ambient temperature	12-40 °C 53.6-104 °F 285-313 K
Continuous gas input temperature, max.	40 °C 104 °F 313 K
Emission sound pressure level without gas ballast at 50 Hz	51 dB(A)
Emission sound pressure level without gas ballast at 60 Hz	54 dB(A)
Switch	No
Input voltage(s)	230 / 400 V AC, 50 Hz // 265 / 460 V AC (±5 %), 60 Hz
Mains cable	No
Gas ballast flow	540 l/h
Gas ballast	Yes
Gas ballast pressure	≤ 1,500 hPa ≤ 1,125 Torr ≤ 1,500 mbar
Operating fluid	P3
Operating fluid amount	0.5 l

Technical Data	Duo 6, 3-phase motor, 230/400 V, 50 Hz 265/460 V, 60 Hz, 1TF
Leakage rate safety valve	$\leq 1 \cdot 10^{-5}$ Pa m ³ /s $\leq 7.5 \cdot 10^{-5}$ Torr l/s $\leq 1 \cdot 10^{-4}$ mbar l/s
Dimensions (L x W x H)	339 x 130 x 173 mm 13.35 x 5.12 x 6.81 inch
Rated power 50 Hz	0.15 kW
Rated power 60 Hz	0.18 kW
Protection degree	IP55
Certification	CE
Weight	9.8 kg 21.61 lb

Order number	
Duo 6	PK D58 602

Accessories	
Connections Connection kits for mounting of pumps	
Connection kit for mounting of pumps, DN 16 ISO-KF	120SWS016-1000
Flanges/Ports Blank flanges	
Blank flange gas ballast valve with O-ring and screws	PK 007 002 -T
ISO-KF, welded bellows sealed	
HV angle valve, DN 16 ISO-KF, manually operated, 304/FKM, "A"-dim. 40 mm	ESV-S02100
Monitoring Operations monitoring units	
Operations monitoring unit 3 for Duo 1.6/3/6/11 and Duo 5/10/20 M	PK 196 146 -T
Operations monitoring unit 2 for Duo 1.6/3/6/11 and Duo 5/10/20 M	PK 196 147 -T
Operations monitoring unit 1 for Duo 1.6/3/6/11 and Duo 5/10/20 M	PK 196 148 -T
Monitoring Pressure Sensors	
Omnicontrol 200 with TPR 270	PT 440 950 -T
Protection Condensate separators	
KAS 16, condensate separator for pumping speeds from 1.6 to 12 m ³ /h	PK Z10 003
Protection Dust separators/Inlet particle filters	
SAS 16, dust separator, DN 16 ISO-KF	PK Z60 506
Protection Oil mist eliminators	
OME 16 S, oil mist separator for pumping speeds up to 12 m ³ /h	PK Z40 000
OME 16 M, oil mist separator for pumping speeds up to 12 m ³ /h	PK Z40 003
Protection Oil return units from oil mist eliminators	
Oil return unit from OME 16 S/16 C to Duo 1.6/Duo 3/Duo 6/Duo 11/Uno 6	PK 005 986 -T
Oil return unit from OME 16 M to Duo 1.6, 3, 6, 11, Uno 6	PK 006 080 -T
Protection Sorption traps	
ZFO 16, zeolite trap	PK Z70 003
Valves Gas ballast valves, magnetic	
Gas ballast valve with solenoid valve 24 V DC	PK 194 343 -U
Valves Gas ballast valves, manual	
Gas ballast valve with dosing spindle and inert gas connection	PK 195 666 -U
Valves Isolation valves	
AVC 016 PA, angle valve, electro-pneumatic, with PI, with PV, PV 24 V DC	PF A38 204
Consumables	
P3, mineral oil, 1 l	PK 001 106 -T
P3, mineral oil, 0.5 l	PK 001 136 -T

VACUUM SOLUTIONS FROM A SINGLE SOURCE

Pfeiffer Vacuum stands for innovative and custom vacuum solutions worldwide, technological perfection, competent advice and reliable service.

COMPLETE RANGE OF PRODUCTS

From a single component to complex systems:

We are the only supplier of vacuum technology that provides a complete product portfolio.

COMPETENCE IN THEORY AND PRACTICE

Benefit from our know-how and our portfolio of training opportunities!

We support you with your plant layout and provide first-class on-site service worldwide.

Are you looking for a
perfect vacuum solution?
Please contact us:

Pfeiffer Vacuum GmbH
Headquarters · Germany
T +49 6441 802-0
info@pfeiffer-vacuum.de

www.pfeiffer-vacuum.com

All data subject to change without prior notice.

PFEIFFER  **VACUUM**