

SSEPBM16DD



Super Smart ball bearings, metric

SSE, Ball Bushing Bearing Pillow Block, 16 mm, Open, Self-Aligning, Not Corrosion Resistant, Seals

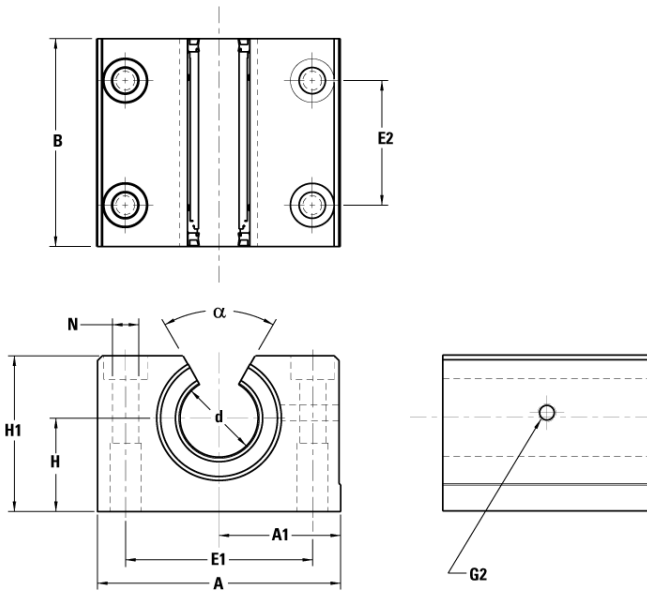
Lead Time: Next Day*

\$161.77 each[†]

*Lead times may increase with higher quantities. Lead time displayed in business days.

[†]The price shown here is the North American List Price for general reference only. Please Contact Thomson for actual net price and current delivery schedule which will vary with geographic region, quantity ordered and distribution channel. Estimated costs for shipping, packaging and import taxes/duty are not included in this list price. Please contact Thomson Customer Support for more information.

Dimensions



Dimension	Value
A	53.00 mm (2.087 in)
a	70.00 ° (70.000 °)
A1	26.50 mm (1.043 in)
B	43.00 mm (1.693 in)
d	16.00 mm (0.630 in)
E1	40.00 mm (1.575 in)
E2	26.00 mm (1.024 in)
H1	35.00 mm (1.378 in)
N	5.30 mm (0.209 in)

Specifications

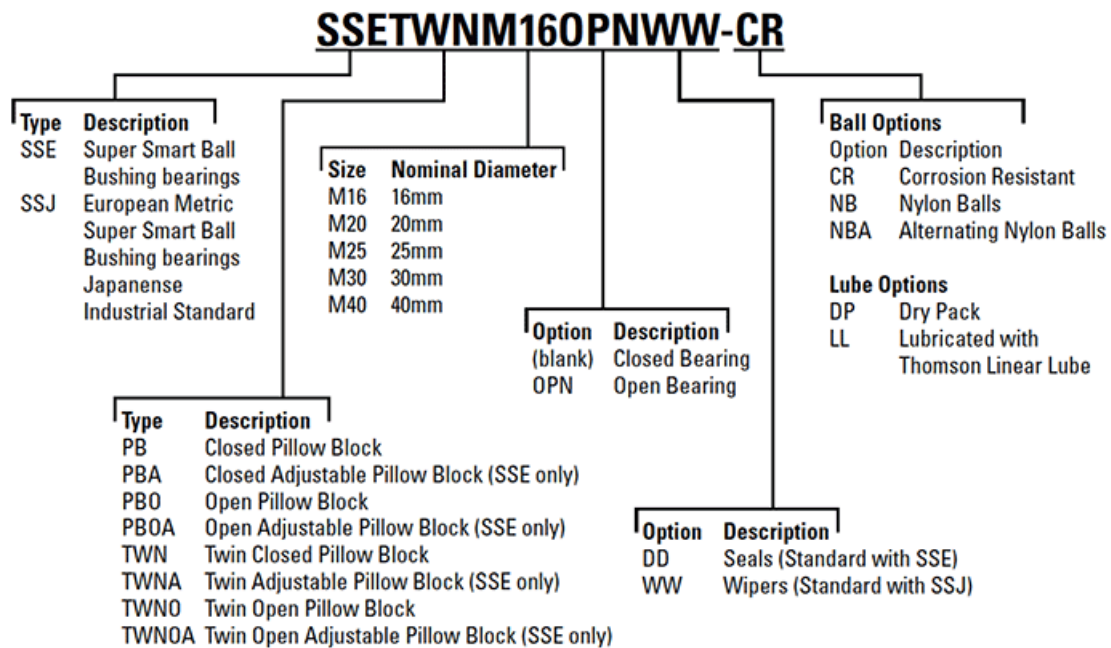
Specifications	Value
Adjustable/Not Adjustable	Not Adjustable
Closed/Open	Open

Specifications	Value
Roll Pack	No Roll Pack
Food Grade Rated	Not Food Grade
Self Alignment	Self-aligning
Single/Twin	Single
Temperature Max	85 °C / 185 °F
Use with shafting class	MM
Wipers, Seals	DD
Weight	0.19 kg / 0.419 lbs
Nominal Diameter	16 mm / 0.630 in
Length	43 mm / 1.693 in
Height	35 mm / 1.378 in

Performance

Performance	Value
Load Capacity, Dynamic	2200 N / 494.580 lbf

Order Code



Related Products



16 MM T1 CTL

16" Shafting, MM Class, Cut to Length

[https://www.thomsonlinear.com/en/product/16 MM T1 CTL](https://www.thomsonlinear.com/en/product/16-MM-T1-CTL)