

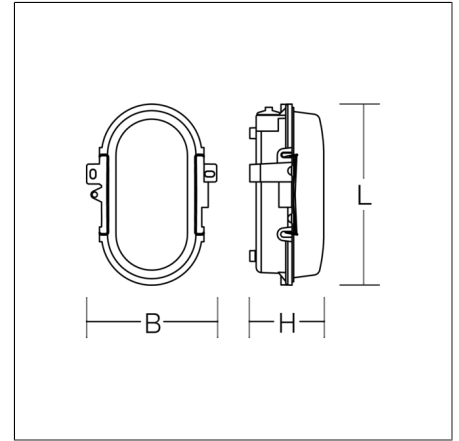
ALU-STANDARD

501045.004 | Oval bulkhead luminaires



Die-cast aluminium oval bulkhead luminaires
4051859516026
L 171, B 123, H 70

ceiling mounting, wall (surface)
silver, metallic



Robust die-cast aluminium LED oval luminaire in flat design. Housing: die-cast aluminium, powder-coated. Diffuser made of textured toughened crystal glass, opal. Diffuser attached with lateral spring clips. Full-surface homogeneous illumination. Suitable for ceiling mounting, wall (surface). Speedy installation thanks to external fastening clips. Replaceable LED unit. Three cable inlets. Suitable for use in harsh environments.

Product specifications

Length L	171 mm
Width B	123 mm
Height H	70 mm
Weight	560 g
Light source	LED
Colour temperature	4000 K
Rated luminous flux	740 lm
System power	8.5 W
System efficiency	87 lm/W
Glare evaluation UGR (4H 8H)	25,4
Beam angle	down 128°/121° up 180°/180°
Colour rendering index (CRI)	80
Colour tolerance	6
Photobiological safety according to EN 62471	Risk group 0
Driver	Converter
Control	on/off
Voltage	220 - 240 V / 50 - 60 Hz
Luminaires on B10A fuse	27
Luminaires on B16A fuse	43
Luminaires on C10A fuse	45
Luminaires on C16A fuse	73
Inrush current / Inrush current duration	14.6 A / 35 µs
CIE Flux Code / CEN Flux Code	40 68 88 90 100
Type of protection	IP 66
Protection class	I
Filament test	960°C - 30 seconds
Impact resistance	IK04
Ambient temperature	-20 °C ... + 35 °C
Conformity mark	CE, EAC