



7700 Series

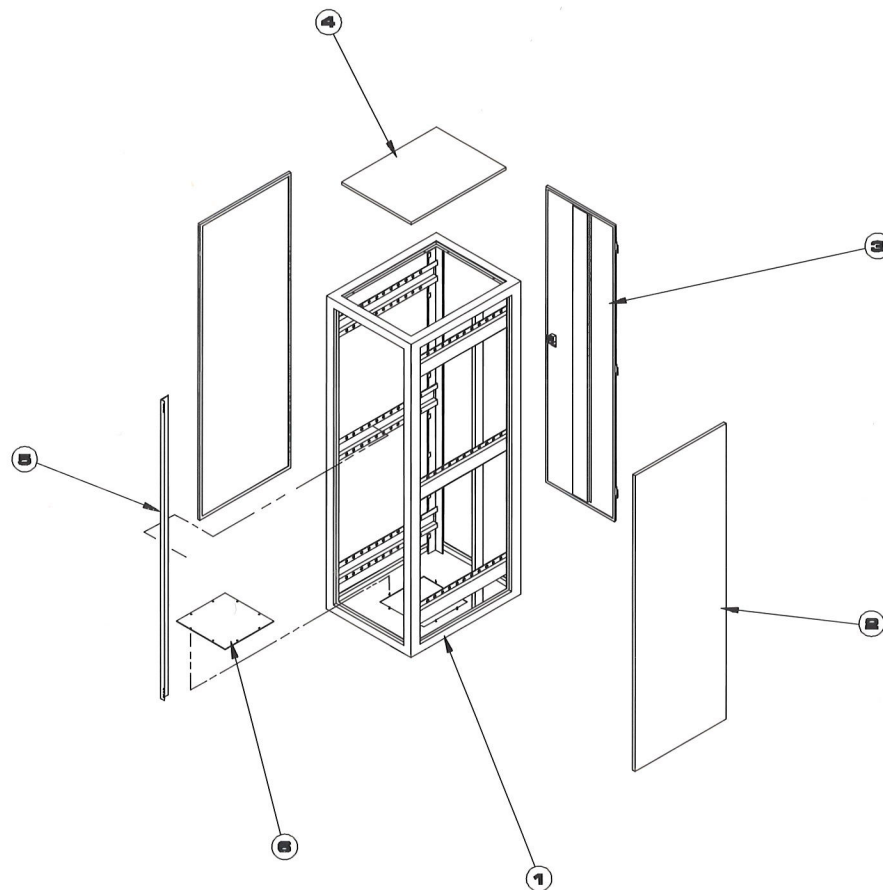
Heavy Duty Seismic Cabinet

Series 7700 seismic cabinets are the ideal cabinets wherever danger of earthquake, severe shock or vibration warrant an extra heavy duty enclosure. These cabinets are used in transportable military instrument shelters, on board ships and in nuclear power plants. Also, 7700 Series cabinets are widely used commercially on off-shore oil rigs and in communications vehicles.

Subjected to seismic vibration tests based on curves, "Maximum Hypothetical Earthquake," Vertical and Horizontal Spectra, Building Elevation 20' - 0", and based on one percent

damping ... the 7700 Series cabinet successfully passed all test requirements. Frame and panel components, including all welds, passed the tests and showed no cracks or separations. General Devices test report #72281 provides additional details.

The superior strength of the 7700 Series is the result of heavy wall construction, strengthened corner posts and added longitudinal members. Channel sway bracing provides added vertical support and twist resistance. Standard 7700 Series cabinets are easily adaptable to EMI/RFI shielding.



Notes

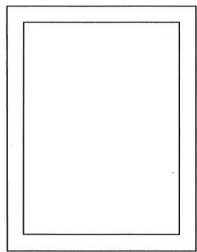
1. Cabinet frame (10 gauge C.R.S.)
2. Removable side panels (inside secured, 16 gauge C.R.S.)
3. Removable rear door (16 gauge C.R.S.)
4. Removable top cover (16 gauge C.R.S.)
5. Mounting angles (1 pair rear) made from 10 gauge C.R.S. with #10-32 tapped holes per EIA RS-310 specs. Finish: zinc & bright.
6. Removable bottom cover (12 gauge C.R.S.)

For Sales Service, Order Entry and Expediting: **(317) 897-7009**
 For Engineering and/or Technical Assistance: **(317) 897-7010**

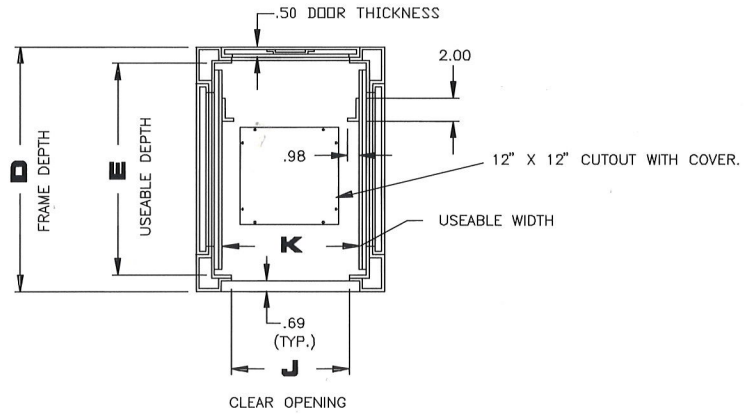


7700 Series

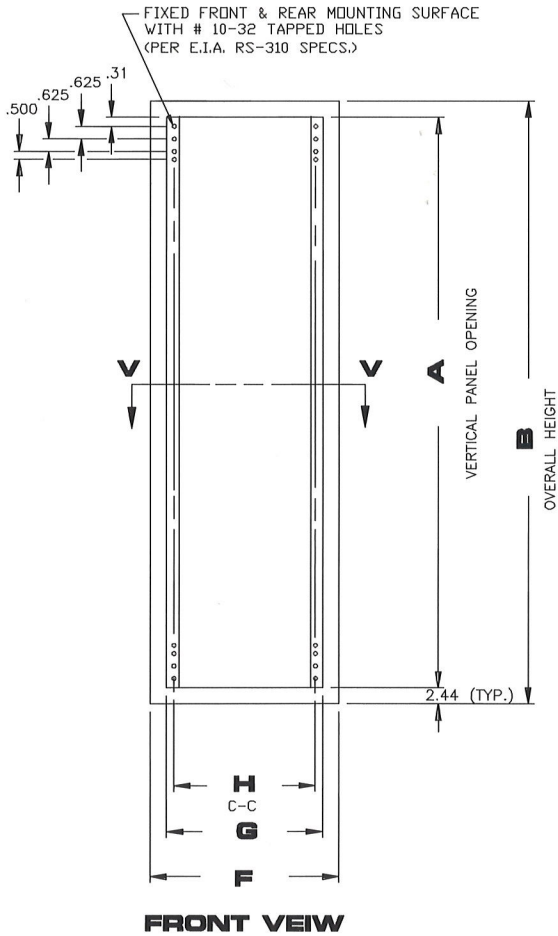
Heavy Duty Seismic Cabinet



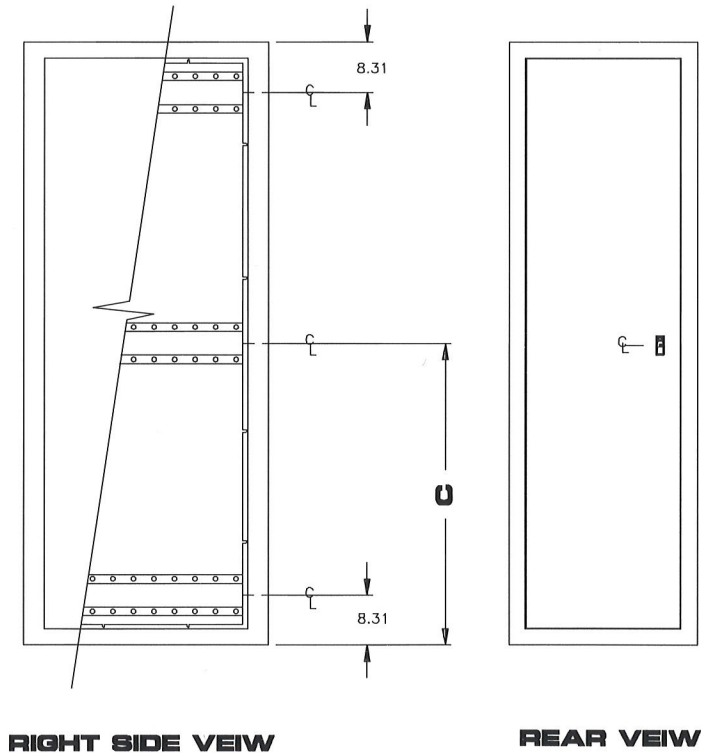
TOP VIEW



SECTION V-V



FRONT VIEW



RIGHT SIDE VIEW

REAR VIEW

All dimensions in inches unless stated otherwise

For Sales Service, Order Entry and Expediting: (317) 897-7009
 For Engineering and/or Technical Assistance: (317) 897-7010



7700 Series

Heavy Duty Seismic Cabinet

Ordering Information

VR7700 - XX - XX - XX - XX - XXXX - XXXXX

Cabinet Series

Panel Width	
Specify	Actual Width Dim. G
19	19.13
24	24.13
30	30.13

Specify number of bays:
 01 for 1 bay
 02 for 2 bay
 03 for 3 bay

Cabinet Depth	
Specify	Actual Depth Dim. D
24	24.00
30	30.00
36	36.00

Paint Color: Refer to page 54 for standard colors.

Options: Refer to 7700 Series options on pages 50-52.

Vertical Panel Opening	
Specify	Actual Panel Opening Dim. A
26	26.38
31	31.63
35	35.13
42	42.13
52	52.63
61	61.38
70	70.13
78	78.88

Panel Width					
Order Width	Frame Width F	Panel Width G	Hole C-C H	Clear Opening J	Useable Width K
19	24.00	19.13	18.31	17.94	19.93
24	29.00	24.13	23.31	22.94	24.93
30	35.00	30.13	29.31	28.94	30.93

Vertical Panel Opening			
Order P.O.	Panel Opening A	Overall Height B	Strut Location C
26	26.38	31.25	—
31	31.63	36.50	—
35	35.13	40.00	—
42	42.13	47.00	—
52	52.63	57.50	28.75
61	61.38	66.25	33.13
70	70.13	75.00	37.50
78	78.88	83.75	41.88

Cabinet Depth		
Order Depth	Frame Depth D	Useable Depth E
24	24.00	22.08
30	30.00	28.08
36	36.00	34.08

All dimensions in inches unless stated otherwise

For Sales Service, Order Entry and Expediting: (317) 897-7009
 For Engineering and/or Technical Assistance: (317) 897-7010

7700 Series Options

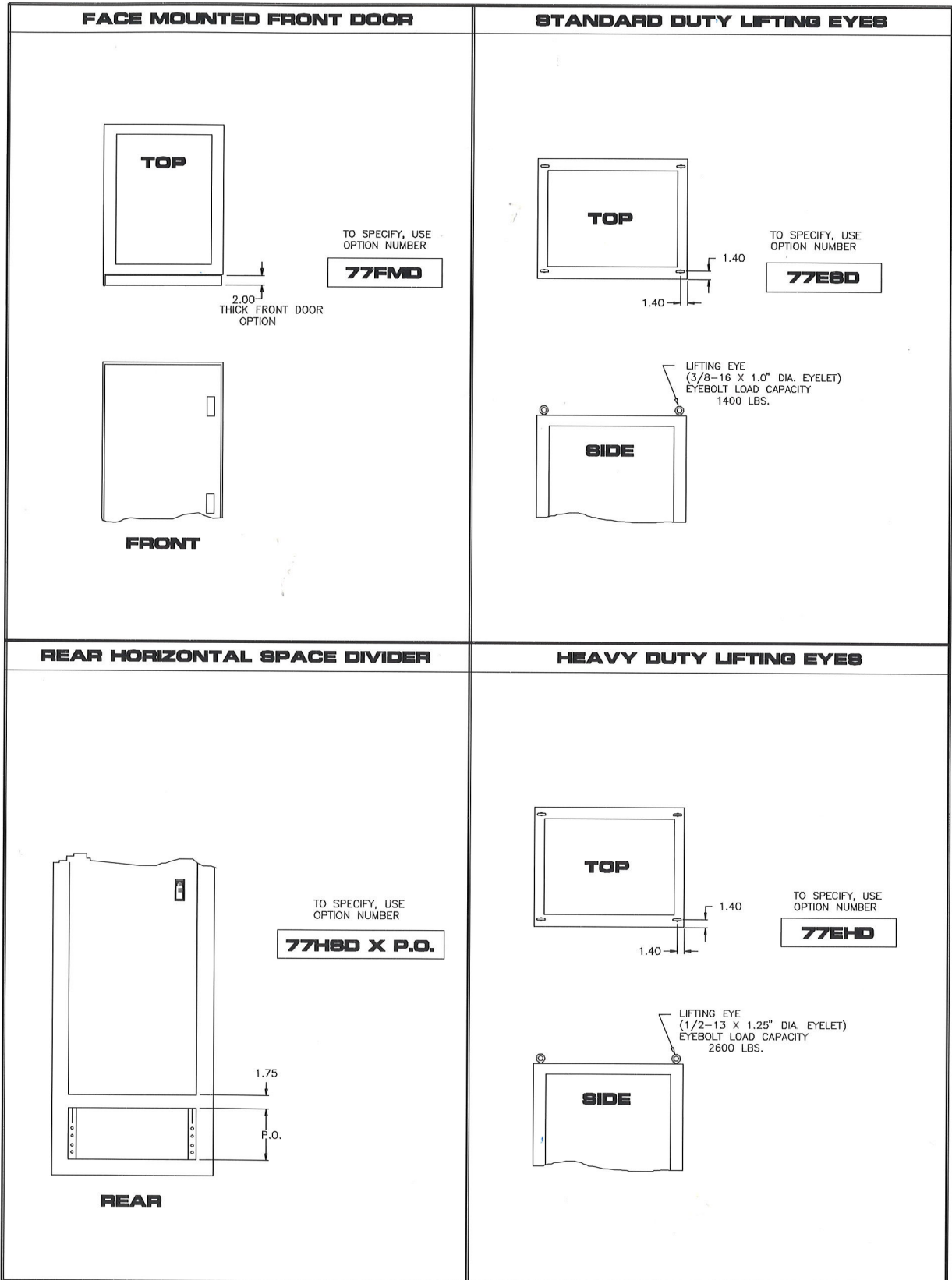


<p>LOUVERED SIDE PANEL TOP</p> <p>16.06 4.13 3 COLUMNS OF 10</p> <p>TO SPECIFY, USE OPTION NUMBER</p> <p>77LSPT</p>	<p>LOUVERED SIDE PANEL BOTTOM</p> <p>3 COLUMNS OF 10 3.63</p> <p>TO SPECIFY, USE OPTION NUMBER</p> <p>77LSPB</p>	<p>LOUVERED SIDE PANEL TOP & BOTTOM</p> <p>16.06 4.13 6 COLUMNS OF 10 3.63</p> <p>TO SPECIFY, USE OPTION NUMBER</p> <p>77LSPTB</p>
<p>LOUVERED REAR DOOR TOP</p> <p>6.31 4.13 2 COLUMNS OF 15</p> <p>TO SPECIFY, USE OPTION NUMBER</p> <p>77LRDT</p>	<p>LOUVERED REAR DOOR BOTTOM</p> <p>6.31 2 COLUMNS OF 15 3.63</p> <p>TO SPECIFY, USE OPTION NUMBER</p> <p>77LRDB</p>	<p>LOUVERED REAR DOOR TOP & BOTTOM</p> <p>6.31 4.13 4 COLUMNS OF 15 3.63</p> <p>TO SPECIFY, USE OPTION NUMBER</p> <p>77LRDTB</p>
<p>LOUVERED TOP PAN</p> <p>TO SPECIFY, USE OPTION NUMBER</p> <p>77LTP</p> <p>3.25</p>	<p>KEYLOCK</p> <p>TO ORDER REAR DOOR WITH KEYLOCK, SPECIFY 77RDKL</p> <p>TO ORDER FRONT DOOR WITH KEYLOCK, SPECIFY 77FDKL</p>	
<p>LOUVERS</p> <p>.50 .88 .19 .72 4.88</p> <p>EACH LOUVER PROVIDES APPROXIMATELY .9 SQUARE INCHES OF OPEN AREA.</p>		

For Sales Service, Order Entry and Expediting: (317) 897-7009
 For Engineering and/or Technical Assistance: (317) 897-7010



7700 Series Options



For Sales Service, Order Entry and Expediting: (317) 897-7009
 For Engineering and/or Technical Assistance: (317) 897-7010

7700 Series Options



<p>STANDARD MOUNTING ANGLE</p> <p>TO SPECIFY, USE OPTION NUMBER</p> <p>77MA</p> <p>TAPPED #10-32 HOLES (PER E.I.A. RS-310 SPECS.)</p> <p>ONE PAIR OF MOUNTING ANGLES ARE PROVIDED WITH THE CABINET UNLESS OTHERWISE SPECIFIED.</p> <p>TO ORDER ADDITIONAL MOUNTING ANGLES, WRITE THE OPTION NUMBER TIMES THE NUMBER OF PAIR DESIRED.</p> <p>EXAMPLE; 77MA X 2</p>	<p>OFFSET MOUNTING CHANNEL</p> <p>TO SPECIFY, USE OPTION NUMBER</p> <p>770MC</p> <p>TAPPED #10-32 HOLES (PER E.I.A. RS-310 SPECS.)</p> <p>TO REPLACE THE STANDARD MOUNTING ANGLES WITH OFFSET MOUNTING CHANNELS, PLACE "R" IN FRONT OF THE OPTION NUMBER.</p> <p>EXAMPLE; R770MC</p> <p>TO ORDER OFFSET MOUNTING CHANNELS IN ADDITION TO MOUNTING ANGLES, WRITE THE OPTION NUMBER TIMES THE NUMBER OF PAIR DESIRED</p> <p>EXAMPLE; 770MC X 2</p>
<p>MOUNTING "Z" RAIL</p> <p>TO SPECIFY, USE OPTION NUMBER</p> <p>77MZR</p> <p>TAPPED #10-32 HOLES (PER E.I.A. RS-310 SPECS.)</p> <p>TO REPLACE THE STANDARD MOUNTING ANGLES WITH MOUNTING "Z" RAILS, PLACE "R" IN FRONT OF THE OPTION NUMBER.</p> <p>EXAMPLE; R77MZR</p> <p>TO ORDER MOUNTING "Z" RAILS IN ADDITION TO MOUNTING ANGLES, WRITE THE OPTION NUMBER TIMES THE NUMBER OF PAIR DESIRED.</p> <p>EXAMPLE; 77MZR X 2</p>	<p>MOUNTING CHANNEL</p> <p>TO SPECIFY, USE OPTION NUMBER</p> <p>77MC</p> <p>TAPPED #10-32 HOLES (PER E.I.A. RS-310 SPECS.)</p> <p>.27 DIA. HOLES (PER E.I.A. RS-310 SPECS.)</p> <p>TO REPLACE THE STANDARD MOUNTING ANGLES WITH MOUNTING CHANNELS, PLACE "R" IN FRONT OF THE OPTION NUMBER.</p> <p>EXAMPLE; R77MC</p> <p>TO ORDER MOUNTING CHANNELS IN ADDITION TO MOUNTING ANGLES, WRITE THE OPTION NUMBER TIMES THE NUMBER OF PAIR DESIRED.</p> <p>EXAMPLE; 77MC X 2</p>
<p>POWERSTRIP ASSEMBLY</p> <p>TO SPECIFY, USE OPTION NUMBER</p> <p>77PS</p>	<p>BUS BAR ASSEMBLY</p> <p>TO SPECIFY, USE OPTION NUMBER</p> <p>77BB</p>

For Sales Service, Order Entry and Expediting: (317) 897-7009
 For Engineering and/or Technical Assistance: (317) 897-7010