

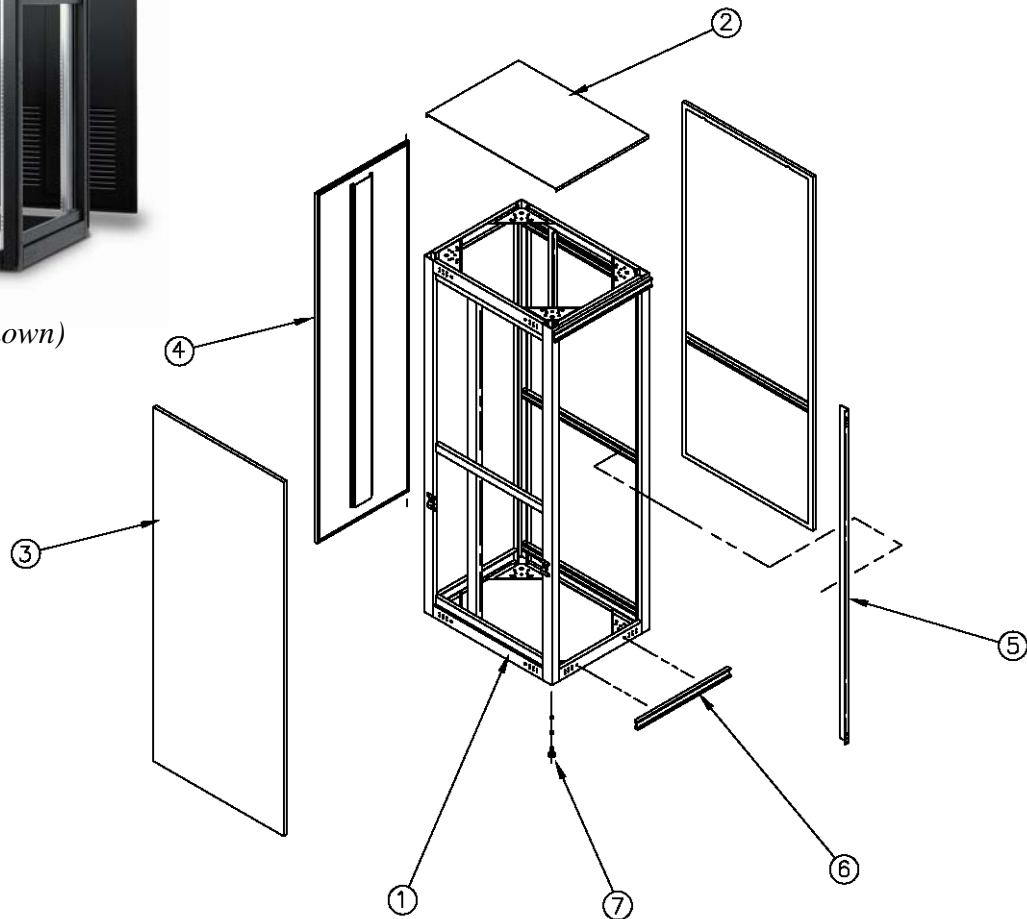
6200 Cabinet

Medium Duty Commercial Cabinet



(Optional front door shown)

The 6200 line of cabinets is a favorite of leading companies in the electronics and communications industries. This versatile enclosure is designed and built to pass some of the most stringent commercial applications. The 6200 provides strength, versatility, quality and attractive appearance at a very affordable price.



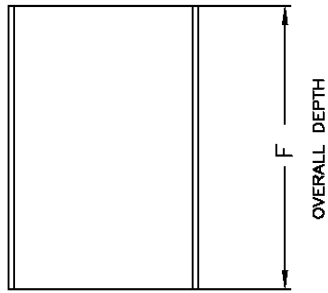
Notes

1. Cabinet Frame is made from 12 gauge C.R.S.
 2. Removable top cover is made from 12 gauge C.R.S.
 3. Removable side panel (lift-off, 2 each) is made from 18 gauge C.R.S.
 4. Removable rear door (16 gauge C.R.S.)
 5. Mounting angles (2 pair) are made from 12 gauge C.R.S. with #10-32 tapped holes per EIA RS-310 specs. Finish: Zinc and bright
 6. Decorative front horizontal trim (2 each)
 7. Leveler assembly (4 each)
- Standard cabinet includes all items shown

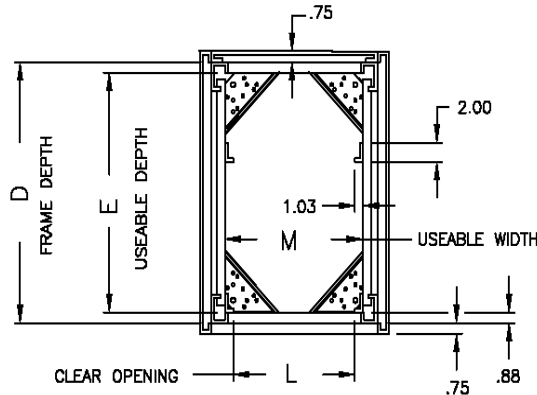
6200 Cabinet



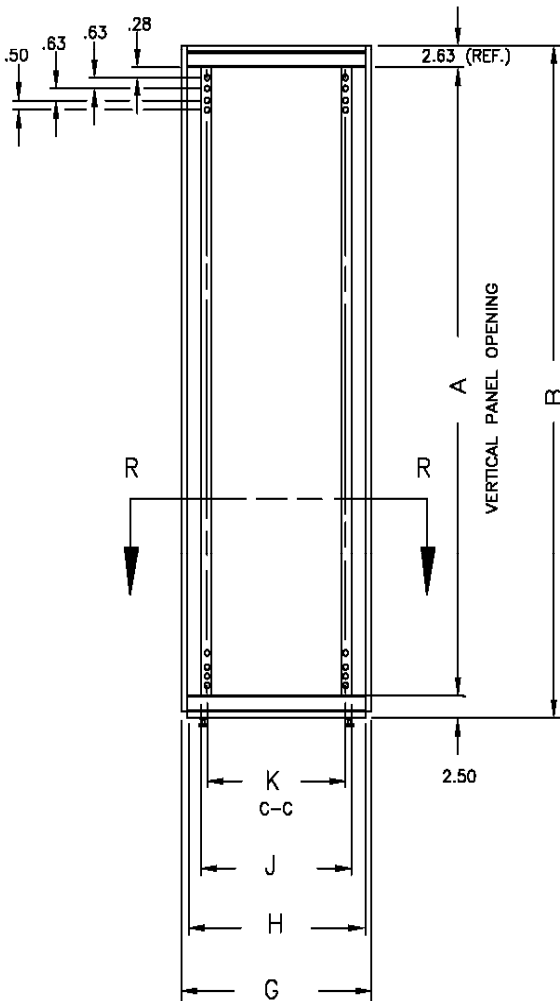
Medium Duty Commercial Cabinet



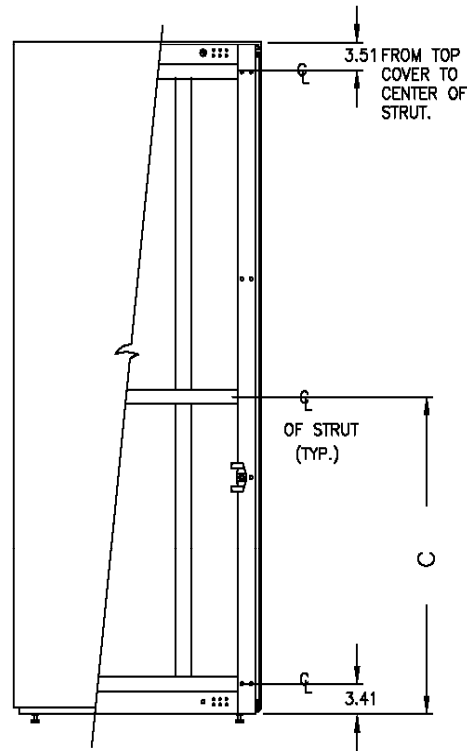
TOP VIEW



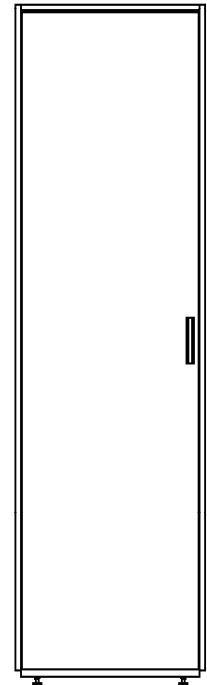
SECTION R-R



FRONT VIEW



RIGHT SIDE VIEW



REAR VIEW

Available Standard Powder Coat Paint Colors

- A) Black
- B) Light Gray
- C) Light Blue
- D) IBM Cloud White
- E) IBM Charcoal Gray
- F) IBM Sky Blue

Additional colors and Federal Standard Color Matching also available.

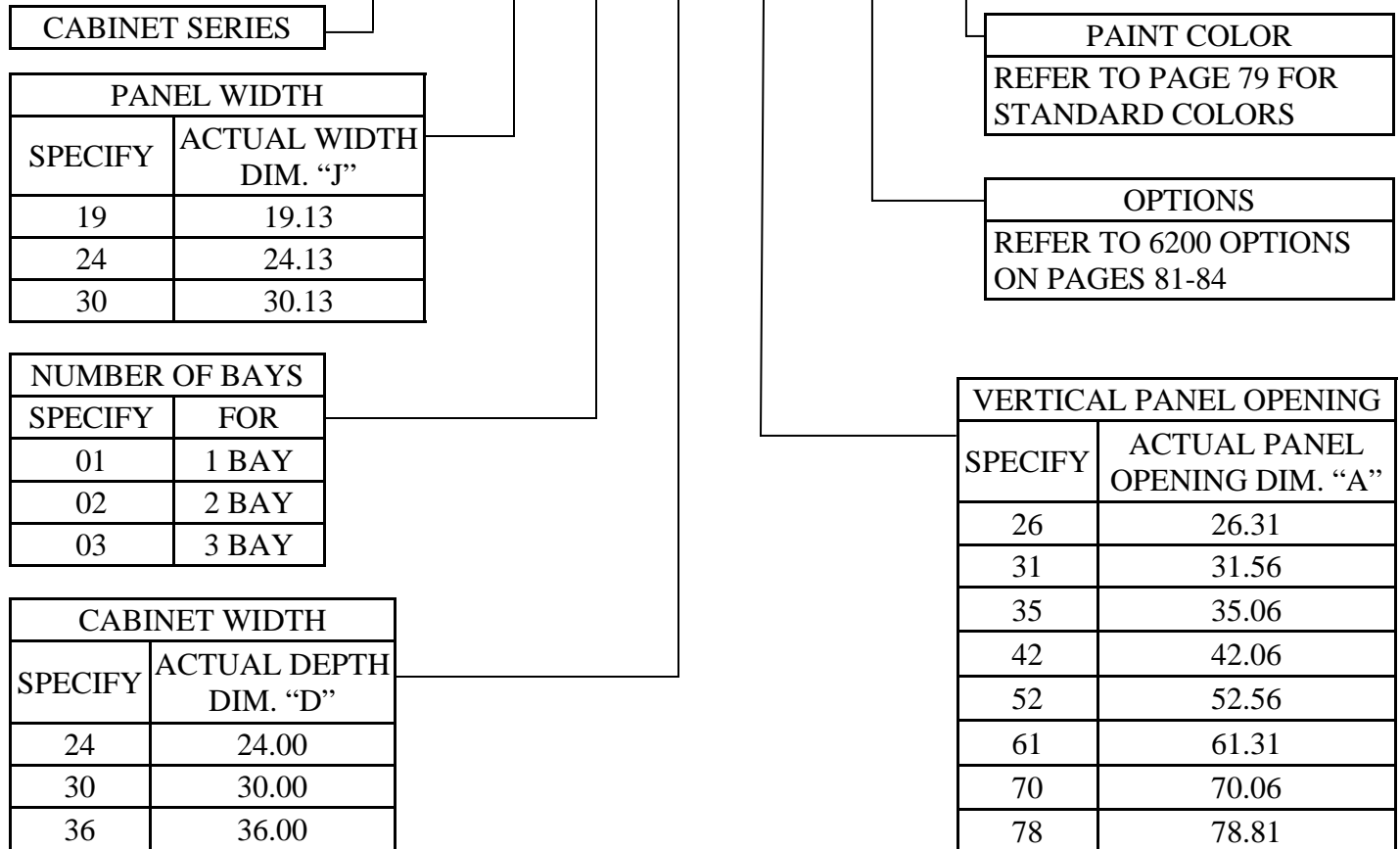
6200 Cabinet



Medium Duty Commercial Cabinet

ORDERING INFORMATION

VR6200 - XX - XX - XX - XX - XXXX- XXXXX



Panel Width

Order Width	Overall Width G	Frame Width H	Panel Width J	Hole C-C K	Clear Opening L	Useable Width M
19	24.13	22.63	19.13	18.31	17.94	20.00
24	29.13	27.63	24.13	23.31	22.94	25.00
30	35.13	33.63	30.13	29.31	28.94	31.00

Cabinet Depth

Order Depth	Frame Depth D	Usable Depth E	Overall Depth F
24	24.00	22.25	25.50
30	30.00	28.25	31.50
36	36.00	34.25	37.50

Vertical Panel Opening

Order P.O.	Panel Opening A	Overall Height B	Strut Location C
26	26.31	31.44	—
31	31.56	36.69	—
35	35.06	40.19	—
42	42.06	47.19	21.38
52	52.56	57.69	26.63
61	61.31	66.44	31.00
70	70.06	75.19	35.38
78	78.81	83.94	39.75

EXAMPLE: VR6200-19-30-70-62LSPT, 62CBMD-27038

6200 Cabinet Options



Medium Duty Commercial Cabinet

<p>LOUVERED SIDE PANEL TOP</p> <p>TO SPECIFY, USE OPTION NUMBER 62LSPT</p>	<p>LOUVERED SIDE PANEL BOTTOM</p> <p>TO SPECIFY, USE OPTION NUMBER 62LSPB</p>	<p>LOUVERED SIDE PANEL TOP & BOTTOM</p> <p>TO SPECIFY, USE OPTION NUMBER 62LSPTB</p>
<p>LOUVERED REAR DOOR TOP</p> <p>TO SPECIFY, USE OPTION NUMBER 62LRDT</p>	<p>LOUVERED REAR DOOR BOTTOM</p> <p>TO SPECIFY, USE OPTION NUMBER 62LRDB</p>	<p>LOUVERED REAR DOOR TOP & BOTTOM</p> <p>TO SPECIFY, USE OPTION NUMBER 62LRDTB</p>
<p>LOUVERED TOP PAN</p> <p>TO SPECIFY, USE OPTION NUMBER 62LTP</p>	<p>KEY LOCKS</p> <p>TO ORDER REAR DOOR WITH KEY LOCK, SPECIFY 62RDKL</p> <p>TO ORDER FRONT DOOR WITH KEY LOCK, SPECIFY 62FDKL</p> <hr/> <p>LOUVERS</p> <p>EACH LOUVER PROVIDES APPROXIMATELY .9 SQUARE INCHES OF OPEN AREA.</p>	

6200 Cabinet Options

Medium Duty Commercial Cabinet



<p style="text-align: center;">CASTER BASE – TOP VIEW</p> <p style="text-align: center;">SEE CHART ON PAGE 80 FOR DIMENSIONS "D" & "H"</p>	<p style="text-align: center;">STANDARD DUTY CASTERS</p> <p style="text-align: right;">2" DIA, 150 LB CAPACITY DUAL WHEEL SWIVEL CASTERS TO SPECIFY, USE OPTION NUMBER</p> <p style="text-align: center; border: 1px solid black; padding: 2px;">62CSD</p>
<p style="text-align: center;">STANDARD DUTY CASTER BASE</p> <p style="text-align: right;">2" DIA, 150 LB CAPACITY DUAL WHEEL SWIVEL CASTERS TO SPECIFY, USE OPTION NUMBER</p> <p style="text-align: center; border: 1px solid black; padding: 2px;">62CBSD</p>	<p style="text-align: center;">MEDIUM DUTY CASTERS</p> <p style="text-align: right;">4" DIA, 200 LB CAPACITY CASTERS FRONT SWIVEL, REAR RIGID TO SPECIFY, USE OPTION NUMBER</p> <p style="text-align: center; border: 1px solid black; padding: 2px;">62CMD</p> <p style="text-align: right;">TO SPECIFY ALL SWIVEL CASTERS USE OPTION NUMBER</p> <p style="text-align: center; border: 1px solid black; padding: 2px;">62CMDS</p>
<p style="text-align: center;">MEDIUM DUTY CASTER BASE</p> <p style="text-align: right;">4" DIA, 200 LB CAPACITY CASTERS FRONT SWIVEL, REAR RIGID TO SPECIFY, USE OPTION NUMBER</p> <p style="text-align: center; border: 1px solid black; padding: 2px;">62CBMD</p> <p style="text-align: left;">TO SPECIFY ALL SWIVEL CASTERS USE OPTION NUMBER</p> <p style="text-align: center; border: 1px solid black; padding: 2px;">62CBMDS</p>	<p style="text-align: center;">HEAVY DUTY CASTERS</p> <p style="text-align: right;">4" DIA, 300 LB CAPACITY CASTERS FRONT SWIVEL, REAR RIGID TO SPECIFY, USE OPTION NUMBER</p> <p style="text-align: center; border: 1px solid black; padding: 2px;">62CHD</p> <p style="text-align: right;">TO SPECIFY ALL SWIVEL CASTERS USE OPTION NUMBER</p> <p style="text-align: center; border: 1px solid black; padding: 2px;">62CHDS</p>
<p style="text-align: center;">HEAVY DUTY CASTER BASE</p> <p style="text-align: right;">FRONT SWIVEL, REAR RIGID 4" DIA, 300 LB CAPACITY CASTERS TO SPECIFY, USE OPTION NUMBER</p> <p style="text-align: center; border: 1px solid black; padding: 2px;">62CBHD</p> <p style="text-align: left;">TO SPECIFY ALL SWIVEL CASTERS USE OPTION NUMBER</p> <p style="text-align: center; border: 1px solid black; padding: 2px;">62CBHDS</p>	<p style="text-align: center;">STATIONARY BASE</p> <p style="text-align: right;">TO SPECIFY, USE OPTION NUMBER</p> <p style="text-align: center; border: 1px solid black; padding: 2px;">62SB</p>

6200 Cabinet Options

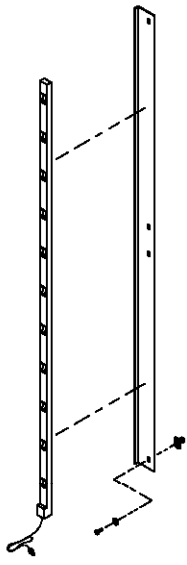
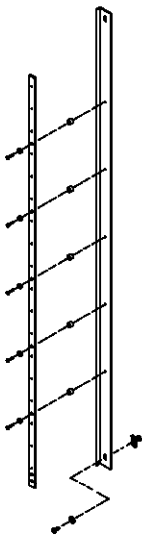
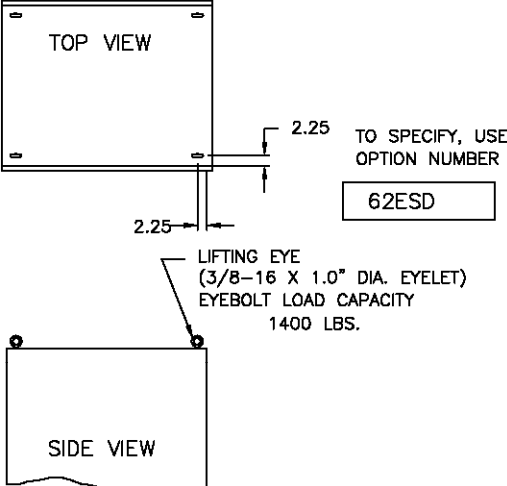

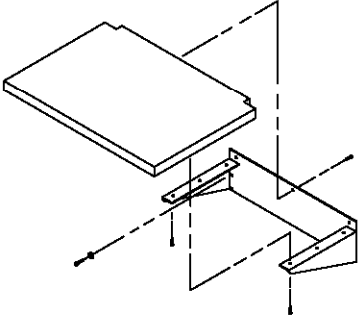
Medium Duty Commercial Cabinet

STANDARD MOUNTING ANGLE	OFFSET MOUNTING CHANNEL
<p>TO SPECIFY, USE OPTION NUMBER</p> <p>62MA</p> <p>TWO PAIR OF MOUNTING ANGLES ARE PROVIDED WITH THE CABINET UNLESS OTHERWISE SPECIFIED.</p> <p>TO ORDER ADDITIONAL MOUNTING ANGLES, WRITE THE OPTION NUMBER TIMES THE NUMBER OF PAIR DESIRED.</p> <p>EXAMPLE: 62MA X 2</p>	<p>TO SPECIFY, USE OPTION NUMBER</p> <p>620MC</p> <p>TO REPLACE THE STANDARD MOUNTING ANGLES WITH MOUNTING CHANNELS, PLACE "R" IN FRONT OF THE OPTION NUMBER.</p> <p>EXAMPLE: R620MC</p> <p>TO ORDER MOUNTING CHANNELS IN ADDITION TO MOUNTING ANGLES, WRITE THE OPTION NUMBER TIMES THE NUMBER OF PAIR DESIRED.</p> <p>EXAMPLE: 620MC X 2</p>
MOUNTING "Z" RAIL	MOUNTING CHANNEL
<p>TO SPECIFY, USE OPTION NUMBER</p> <p>62MZR</p> <p>TO REPLACE THE STANDARD MOUNTING ANGLES WITH MOUNTING "Z" RAILS, PLACE "R" IN FRONT OF THE OPTION NUMBER.</p> <p>EXAMPLE: R62MZR</p> <p>TO ORDER MOUNTING RAILS IN ADDITION TO THE MOUNTING ANGLES, WRITE THE OPTION NUMBER TIMES THE NUMBER OF PAIR DESIRED.</p> <p>EXAMPLE: 62MZR X 2</p>	<p>TO SPECIFY, USE OPTION NUMBER</p> <p>62MC</p> <p>TO REPLACE THE STANDARD MOUNTING ANGLES WITH MOUNTING CHANNELS, PLACE "R" IN FRONT OF THE OPTION NUMBER.</p> <p>EXAMPLE: R62MC</p> <p>.27 DIA. HOLES (PER E.I.A. RS-310 SPECS.)</p> <p>TO ORDER MOUNTING CHANNELS IN ADDITION TO MOUNTING ANGLES, WRITE THE OPTION NUMBER TIMES THE NUMBER OF PAIR DESIRED.</p> <p>EXAMPLE: 62MC X 2</p>
FRONT DOOR OPTIONS	BOTTOM COVER
<p>TOP VIEW</p> <p>FRONT</p> <p>62GFD</p> <p>PLEXIGLAS® COLOR NO. 2094 GRAY WILL BE USED UNLESS OTHERWISE SPECIFIED.</p> <p>FRONT</p> <p>TO ORDER SOLID STEEL FRONT DOOR, SPECIFY</p> <p>62SFD</p>	<p>TO SPECIFY, USE OPTION NUMBER</p> <p>62BC</p>

6200 Cabinet Options



Medium Duty Commercial Cabinet

POWERSTRIP	BUSS BAR	STANDARD DUTY LIFTING EYES
 <p>TO SPECIFY, USE OPTION NUMBER</p> <p>62PS</p>	 <p>TO SPECIFY, USE OPTION NUMBER</p> <p>62BB</p>	 <p>TO SPECIFY, USE OPTION NUMBER</p> <p>62ESD</p> <p>LIFTING EYE (3/8-16 X 1.0" DIA. EYELET) EYEBOLT LOAD CAPACITY 1400 LBS.</p>
REAR HORIZONTAL SPACE DIVIDER		WRITING SURFACE ASSEMBLY
 <p>TO SPECIFY, USE OPTION NUMBER</p> <p>62HSD X P.O.</p> <p>REAR</p> <p>SHORT MOUNTING ANGLES SUPPLIED AT REAR WHEN SPACE DIVIDER IS INSTALLED AT FACTORY.</p>		 <p>TOP IS COVERED WITH WHITE PLASTIC LAMINATE BRACKET IS PAINTED</p> <p>TO SPECIFY, USE OPTION NUMBER</p> <p>62WS</p>