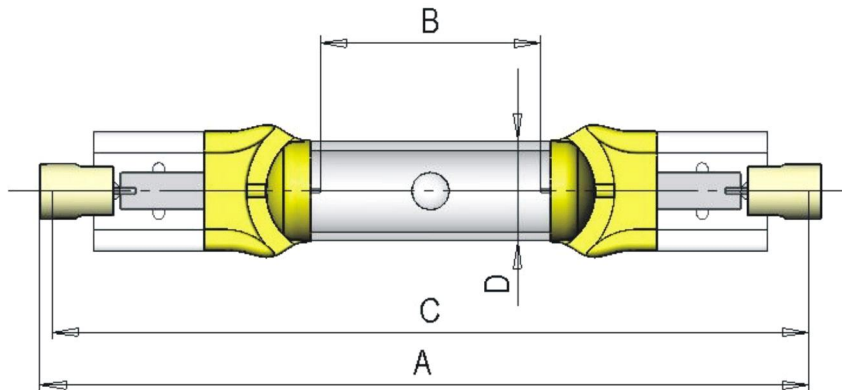


## HPA Synergy 300 W

920650329

Printing Date: 29.11.2013

9281 009 06017



### Technical Data:

<b>Fitting Length (A):</b>	104 mm
<b>Arc Length (B):</b>	29 mm
<b>Bulb Diameter (D):</b>	13,5 mm
<b>Contact Distance (C):</b>	100,5 mm
<b>Ignition Voltage Peak:</b>	min. 3000 V
<b>Open Circuit Voltage:</b>	220 V
<b>Lamp Voltage:</b>	125 V
<b>Lamp Power:</b>	300 W

**Quartz Type:** ozone free

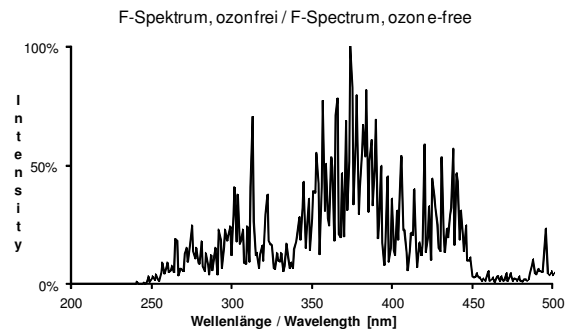
**Connectors E1/E2:** R7s L

**Maximum seal temperature (T):** 350 °C

**Bulb temperature operating range:** 750 ° - 950 ° C

**Average Lifetime \*:** 800 h

\*) depends on cooling, duty cycles and lamp operating conditions



Subject to be changed without prior notice!

**JW Sales GmbH**

Kölner Straße 8 70376 Stuttgart Phone: +49 (0) 711 / 54004-0 Fax: +49 (0) 711 / 54004-55 E-Mail: info@isoldelicht.de Internet: www.isoldelicht.de