

# Flow regulators // VB

VB15



VB20



## Highlights

- Compact design
- Installation in any position
- Easy installation
- Reliable, no wearing parts
- No auxiliary power required

## Technical data

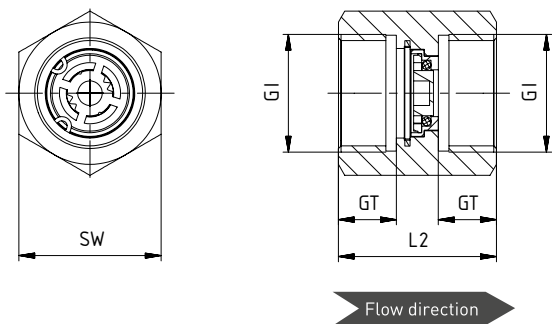
VB15xxSR	
Type	Set value (flow rate) [l/min]*
VB1503SR...	3
VB1504SR...	4
VB1506SR...	6
VB1507SR...	7
VB1508SR...	8
VB1510SR...	10
VB1512SR...	12
General data	
Tolerance of control	≤ 5 l/min: ±15 % > 5 l/min: ±10 %
Medium temperature	10...60 °C
Working pressure	1...10 bar
Diameter	DN 15
Process connection	G½

\* Water, 20 °C

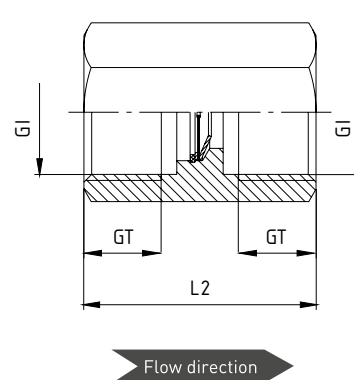
VB15xxER, VB20xxER	
Type	Set value (flow rate) [l/min]*
VB2001ER...	1
	Set values 1...30 l/min in 1 l/min steps available
VB2030ER...	30
General data	
Tolerance of control	< 3 l/min: ±15 % > 3 l/min: ±10 %
Medium temperature	-20...200 °C
Working pressure	2...10 bar
Diameter	DN 20 (optional DN 15)
Process connection	G¾ (optional G½)

# Technical drawings

VB15xxSR



VB15xxER, VB20xxER



## Dimensions

Dimensions (mm)				
Type	GI	GT	SW	L2
VB15xxSR	G ½	11	27	30

Dimensions (mm)				
Type	GI	GT	SW	L2
VB15xxER	G ½	15	27	43
VB20xxER	G ¾	16.5	32	45

## Materials

Materials in contact with fluid		
Type	VB15xxSR	VB15xxER, VB20xxER
Pipe section	Brass CW617N or stainless steel 1.4571	Brass CW617N or stainless steel 1.4305
Inner parts	EPDM, Hostaform C POM, stainless steel 1.4422	Stainless steel 1.4310 / 1.4301

# Article numbers

VB15xxSR			
<b>Set value</b>			
3 l/min		VB1503SR	
4 l/min		VB1504SR	
6 l/min		VB1506SR	
7 l/min		VB1507SR	
8 l/min		VB1508SR	
10 l/min		VB1510SR	
12 l/min		VB1512SR	
<b>Material</b>			
Brass			MS1
Stainless steel			VA1
<b>Example order number</b>		<b>VB1503SR</b>	<b>MS1</b>

VB15xxER, VB20xxER			
<b>Nominal diameter</b>			
DN 15	VB15		1
DN 20	VB20		3
<b>Set value</b>			
Requested set value in steps of 1 l/min:			
1 l/min		01ER	
2 l/min		02ER	
...		...	
30 l/min		30ER	
<b>Material</b>			
Brass			MS
Stainless steel			VA
<b>Example order number</b>	<b>VB20</b>	<b>01ER</b>	<b>MS 3</b>